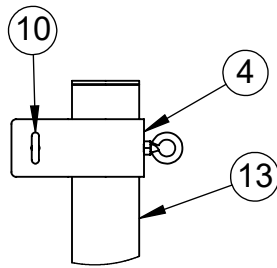
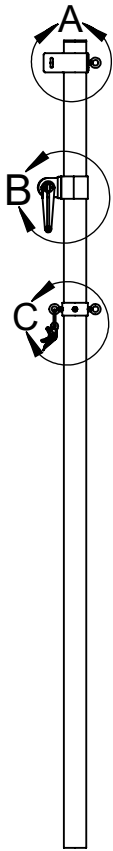
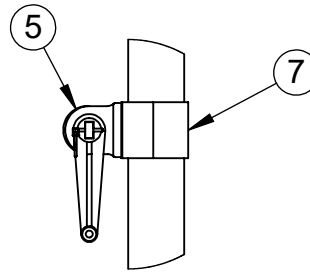


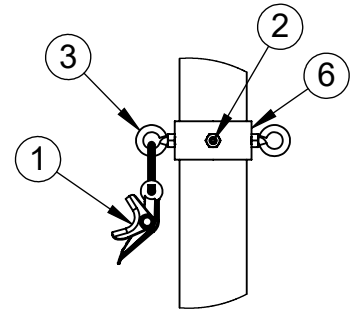
ITEM NO.	PART NUMBER	DESCRIPTION	QTY.
1	604-044	ROPE CLAMP WITH S-HOOK	1
2	HWSCSS3858	3/8"-16 x 5/8" STAINLESS STEEL SET SCREW	2
3	HWEB381	3/8" x 1" TURNED EYE BOLT	3
4	CINETSIDE312	SIDE PULLEY COLLAR	1
5	8321NT	NET TIGHTENER WITH REMOVABLE HANDLE	1
6	GP312ADJC	3-1/2" I.D. SCH 40 ADJUSTABLE COLLAR	1
7	CINETCOL312	ADJUSTABLE NET COLLAR	1
8	HWHB51634	5/16" x 3/4" HEX BOLT	2
9	HWFLWA516	5/16" USS FLAT WASHER	2
10	HWEB382	3/8" x 2" TURNED EYE BOLT	1
11	HWFLWA38	3/8" USS FLAT WASHER	1
12	HWLN38	3/8" NYLOK NUT ZINC	1
13	W2216APOST	3-1/2" O.D. ALUMINUM GAME POST AND CAP	1
14	VCIPULLEY	SIDE COLLAR PULLEY	1



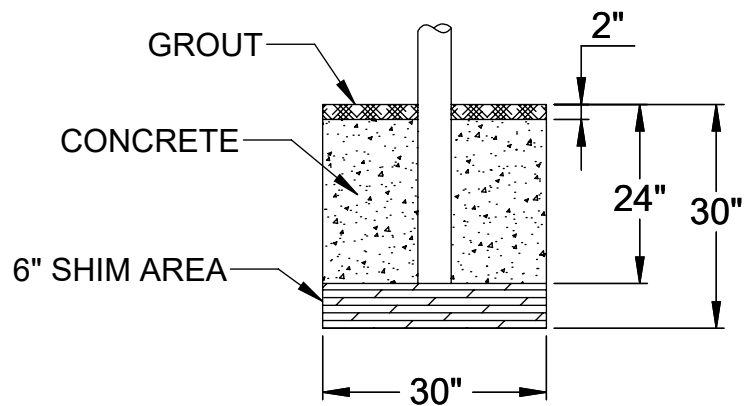
DETAIL A



DETAIL B



DETAIL C



FOOTING DETAIL

NOTE: FOR SAND INSTALLATION, ADD THE DEPTH OF THE SAND TO THE TOTAL.

<p>ATHLETIC MFG. CO.</p>	Date: 6/5/23	PRODUCT NAME DELUXE COMPETITION ALUMINUM CENTER POST
	Rev:	
	Drawn: CW	MODEL NO.
	Sheet: 1 of 1	2216-41A-SPEC