

# VOLLEYBALL

**MODEL #2217-00**

4-1/2" O.D. GALVANIZED COMPETITION POST (277 lbs)

**MODEL #2217-00A**

4-1/2" O.D. ALUMINUM COMPETITION POST (206 lbs)

**MODEL #2217-31**

4-1/2" O.D. GALVANIZED COMPETITION POST (115 lbs)

**MODEL #2217-31A**

4-1/2" O.D. ALUMINUM COMPETITION POST (85 lbs)

**MODEL #2217-21**

4-1/2" O.D. GALVANIZED DELUXE COMPETITION POST (238 lbs)

**MODEL #2217-21A**

4-1/2" O.D. ALUMINUM DELUXE COMPETITION POST (208 lbs)

**MODEL #2217-41**

4-1/2" O.D. GALVANIZED DELUXE COMPETITION POST (170 lbs)

**MODEL #2217-41A**

4-1/2" O.D. ALUMINUM DELUXE COMPETITION POST (148 lbs)

**GENERAL:** Volleyball posts are available with fixed eyes, net tightener, and side pulley - depending on model selected. All models consist of a pair of posts, except center posts which are designed for side-by-side courts, & include only one post. All posts are equipped w/ fittings for proper net attachment.

**NOTE:** See page 3 & 4 for included accessories.

**MATERIAL:** All materials are selected for strength, durability and the ability to withstand years of exposure.

**POSTS:** A 4-1/2" O.D. heavy-duty galvanized steel post. All posts are fabricated from galvanized steel pipe. Overall length of all posts is 10'-6".

**ROPE CLAMPS:** A heavy-duty self-securing clamp, die-cast from rustproof "zamak" metal. Designed to take rope sizes 1/8" to 3/8". Designed to take stress off of rope, as it has a smooth grooved track for the rope.

**NOTE:** For use on nets with rope suspension.

**NET TIGHTENER W/ REMOVABLE HANDLE:** Permits easy and accurate tensioning of the net. Designed for use on nets with cable or rope suspension. Aluminum cast with a removable handle to lock in place. Pull pin and remove handle.

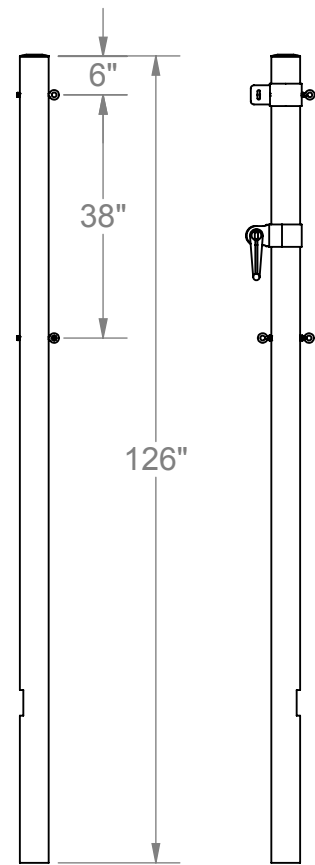
**SIDE PULLEY:** All welded construction of heavy gauge steel galvanized or powder coated. A 2-1/2" Dia. pulley on a 3/8" diameter shaft guides the net cable or rope to the tightener.

**FIXED EYES:** 3/8" diameter zinc-plated steel eyebolts for all models. Heavy steel eyebolts for center post double eyes. These fixed eyes are welded on square post models.

**EYE NUT:** 3/8" eye nuts have internal threads and are used for extending eyebolt for double sided eyes on center posts. Zinc finish.

**FINISH:** All welds are ground smooth and either treated with cold galvanized compound or prepared for powder coat depending on finish selected.

**WARRANTY PERIOD:** 10 years



Date:	6/4/15
Rev:	10/1/15
Drawn:	MT
Sheet:	1 of 5

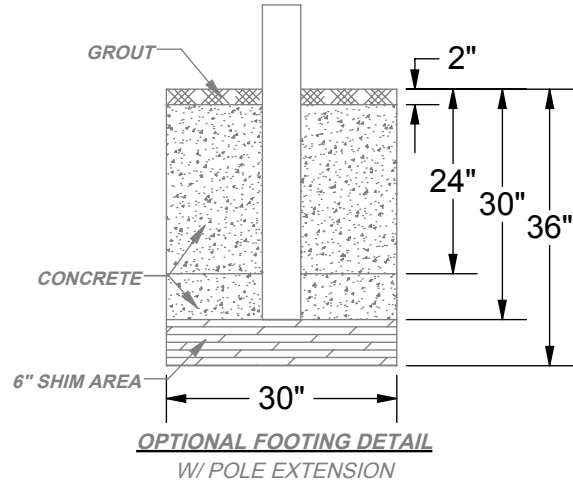
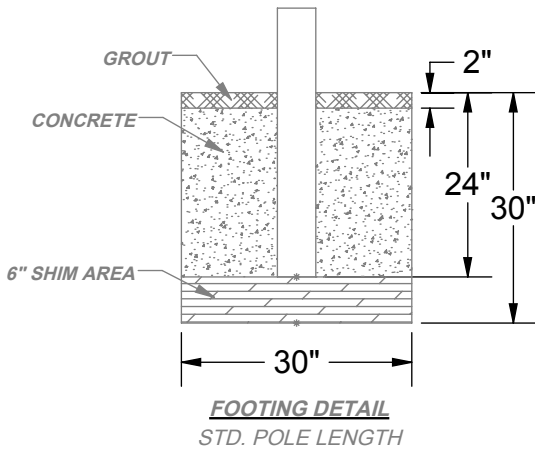
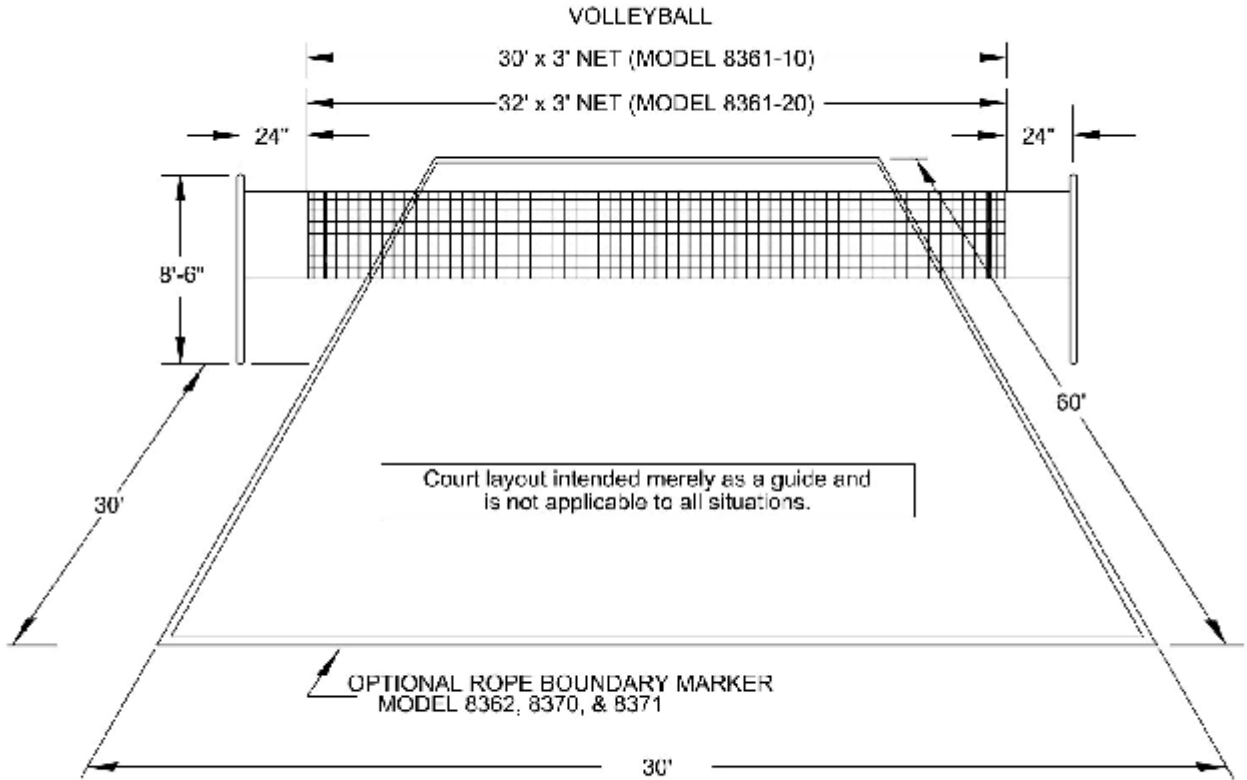
**SPECIFICATION/INSTALLATION INSTRUCTIONS**

COMPETITION VOLLEYBALL POST W/ NET TIGHTENER, SIDE PULLEY & ROPE CLAMP

MODEL NO.

**2217-00, -21, -31, -41**

# VOLLEYBALL



Formula to calculate total depth of footing:  
24" (Std) + X (Extension) + 6" = D (Depth)

**NOTE:** For Sand installation, add depth of sand to total.



Date: 6/4/15  
Rev: 10/1/15  
Drawn: MT  
Sheet: 2 of 5

## SPECIFICATION/INSTALLATION INSTRUCTIONS

COMPETITION VOLLEYBALL POST W/ NET  
TIGHTENER, SIDE PULLEY & ROPE CLAMP

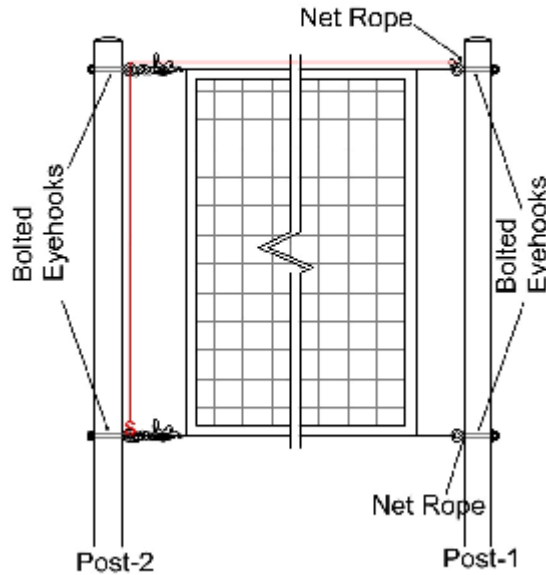
MODEL NO.

**2217-00, -21, -31, -41**

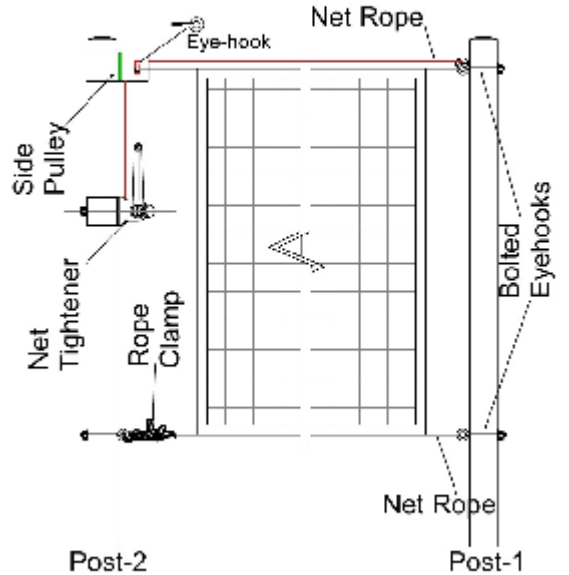
# VOLLEYBALL



FOR MODEL 2217-00  
COMPETITION POST

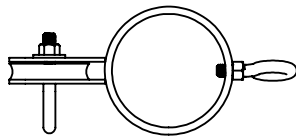


FOR MODEL 2217-21  
COMPETITION  
DELUXE POST

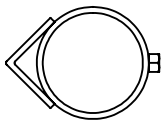


NETS: Model 8361-10 & -20 have Top Cable/Bottom Rope  
Model 8362-10 & -20 have Top Rope/Bottom Rope

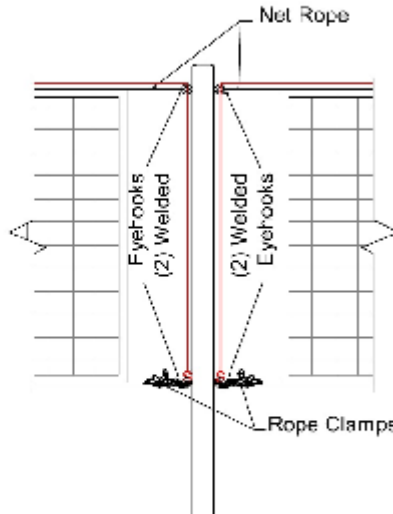
Pulley Top Cap  
Net Tightener Collar  
Pulley Collar



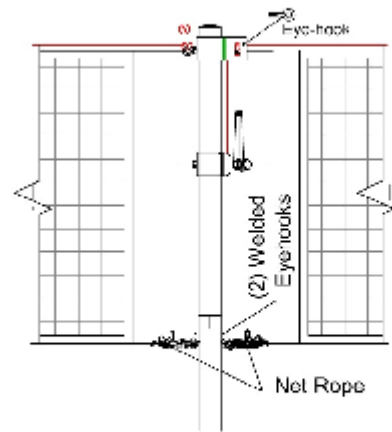
Pulley Collar  
(Top View)



Net Tightener Collar  
(Top View)



2217-31  
COMPETITION  
CENTER POST



2217-41  
COMPETITION DELUXE  
CENTER POST

**NOTE:** Tighten Nets and secure excess net rope out of players reach.

<p>ATHLETIC MFG. CO.</p>	Date:	6/4/15	<b>SPECIFICATION/INSTALLATION INSTRUCTIONS</b> COMPETITION VOLLEYBALL POST W/ NET TIGHTENER, SIDE PULLEY & ROPE CLAMP
	Rev:	10/1/15	
	Drawn:	MT	MODEL NO.
	Sheet:	3 of 5	<b>2217-00, -21, -31, -41</b>

# VOLLEYBALL

## INSTALLATION INSTRUCTIONS:

1. Dig holes per footing detail.
2. Install eyebolts. Models with -00 will have four eyebolts and rope clamps. Models with -21 have a net tightener & a side pulley collar. Secure collars in place with a hex wrench. Tighten set screw slightly to hold.
3. Set the posts in the holes & shim from below so that the top of the posts are 8'-6" from finished grade. Plumb & brace. Pour concrete to within 2" of finish grade. Allow concrete to set 3 days. Cover footings with soil or turf. Remove bracing.
4. Secure side pulley on Models-21 so the pulley is 4" from top of pipe & in line w/ eye bolt on other side. Use set screw to secure.
5. Tighten all nuts securely. Any excess threads on eyebolts should be cut & peened smooth.
6. If ordering an optional center post follow steps 1,2, & 3.
7. When attaching nets, the "through" rope or cable on the top of all the nets allows the netting to slide back & forth. Note: Use net tie-offs on top & bottom of nets to center net & pull tight.

**NOTE: Footing sizes are based on average soil conditions. Loose and/or sandy soil is not average & footing sizes must be increased accordingly to meet local soil conditions.**

Packing Slip	Qty
<b>2217-00</b>	
4-1/2" O.D. x 10'6" Post	2
<b>2217-21</b>	
4-1/2" O.D. 10'6" Post	2
<b>2217-31</b>	
4-1/2" O.D. 10'6" Post	1
<b>2217-41</b>	
4-1/2" O.D. 10'6" Post	1

General Table	
Hardware Kit	Qty
<b>2217-00</b>	
3/8"-16 x 5" Eye Bolt	4
3/8"-16 Lock Nut - Nylock	4
Rope Clamp - Net Tightener	2
5/16" x 2-1/2" S-Hook	1
<b>2217-31</b>	
3/8"-16 x 5" Eye Bolt	2
3/8" - Eye Nut	2
Rope Clamp - Net Tightener	2
5/16" x 2-1/2" S-Hook	2

2217-21	Qty
Net Tightener Handle	1
2-7/8" Net Tightener Collar	1
5/16 x 3/4" Hex Bolt for Above	2
5/16" Flat Washer for Above	2
2-7/8" Side Pulley Collar	1
2-1/2" Cast Pulley	1
3/8" x 1-1/2" Eye Bolt	1
3/8" Nylock Nut for Side Pulley	1
1/2" x 3/4" Set Screw	2
3/8" x 5" Eye Bolt	3
3/8" Nylock Nut	3
Rope Clamp with S-Hook	1
1/4" Hex Key Wrench	1

2217-41	Qty
Net Tightener Handle	1
2-7/8" Net Tightener Collar	1
3/8 x 3/4" Hex Bolt for Above	2
3/8" Flat Washer for Above	2
2-7/8" Side Pulley Collar	1
2-1/2" Cast Pulley	1
3/8" x 2" Eye Bolt	1
3/8" Nylock Nut for Side Pulley	1
1/2" x 3/4" Set Screw for Collar	1
Rope Clamp - Net Tightener	1
1/2" Eye Nut - Welded Thread for SP	1
Rope Clamp with S-Hook	1
5/16" x 2-1/2" S-Hook	1
1/4" Hex Key Wrench	1



Date: 6/4/15  
 Rev: 10/1/15  
 Drawn: MT  
 Sheet: 4 of 5

### SPECIFICATION/INSTALLATION INSTRUCTIONS

COMPETITION VOLLEYBALL POST W/ NET TIGHTENER, SIDE PULLEY & ROPE CLAMP

MODEL NO.

**2217-00, -21, -31, -41**

# VOLLEYBALL

## SPRINKLER SYSTEM OPTION KIT:

1. PVC PIPE KIT
2. RUBBER HOSE KIT

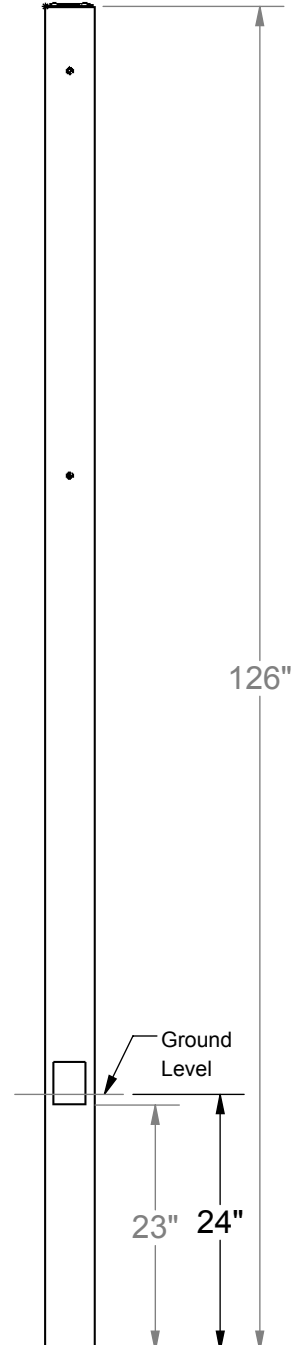
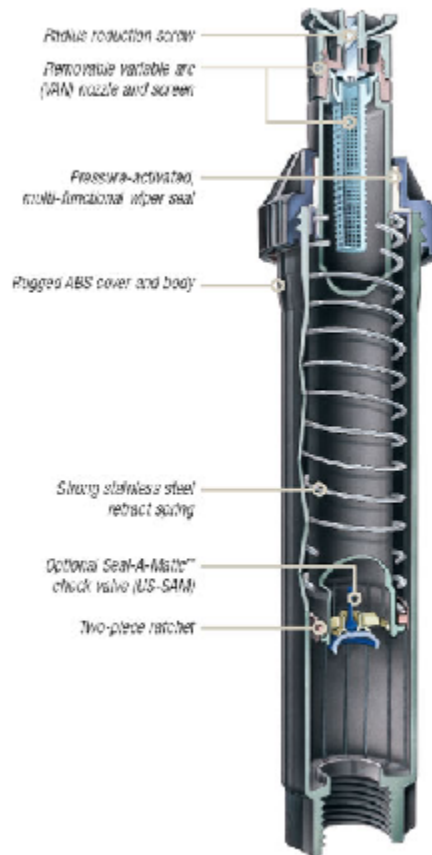
2-1/2" HOLE FOR  
SPRINKLER NOZZLE  
BRAND (SP25Q RAINBIRD)

### INSTALLATION:

ATTACH COUPLING TO ONE END OF THE PIPE.  
FEED PIPE THRU DIMPLED CAP.  
ATTACH ELBOW AT OTHER END OF PIPE (BOTTOM END)  
SO THAT THE ELBOW IS FACING OUT OF THE 3" x 4" OPENING.  
TWIST ON SPRINKLER HEAD AND SECURE AT THE TOP OF POST  
SEAL WITH GASKET AROUND OPENING IN THE DIMPLE CAP.  
INSERT POST UPRIGHT IN CONCRETE FOOTING 24" BELOW SURFACE  
SO THAT 1" OF THE ACCESS OPENING IS RECESSED UNDER GROUND  
FOR PROPER WATER DRAINAGE. TAP INTO HARD WATER LINE IN  
GROUND OR GARDEN HOSE OUTLET AT THE ELBOW.

PVC PIPE KIT	
RAW MATERIAL	QTY
PVC 3/4" x 105" - PIPE	1
PVC 3/4" - MALE/FEMAL COUPLING	1
PVC 3/4" - 90° ELBOW	1
PVC SHUT-OFF VALVE	1

RUBBER HOSE KIT	
RAW MATERIAL	QTY
RUBBER 3/4" x 105" - HOSE	1
RUBBER 3/4" - MALE/FEMALE FITTING	1
RUBBER 3/4" - 90° ELBOW	1
SHUT-OFF VALVE	1



**NOTE:** SPRINKLER OPTION IS **ONLY** AVAILABLE IN ALUMINUM POST OF THE 4-1/2" & 5-9/16" STYLES.

<p>ATHLETIC MFG. CO.</p>	Date: 6/4/15	<b>SPECIFICATION/INSTALLATION INSTRUCTIONS</b>
	Rev: 10/1/15	
	Drawn: MT	MODEL NO.
	Sheet: 5 of 5	<b>2217-00, -21, -31, -41</b>

# Pick Ticket

Internal use only return to office with packet

Shipping to pull Collars, Tensioner and Hardware. Posts from Fabrication if shortages exist notify the office immediately.

<i>Packing Slip</i>	<i>Qty</i>
<b>2217-00</b>	
4-1/2" O.D. x 10'6" Post	2
<b>2217-21</b>	
4-1/2" O.D. 10'6" Post	2
<b>2217-31</b>	
4-1/2" O.D. 10'6" Post	1
<b>2217-41</b>	
4-1/2" O.D. 10'6" Post	1

<i>General Table</i>	
<i>Hardware Kit</i>	<i>Qty</i>
<b>2217-00</b>	
3/8"-16 x 5" Eye Bolt	4
3/8"-16 Lock Nut - Nylock	4
Rope Clamp - Net Tightener	2
5/16" x 2-1/2" S-Hook	1
<b>2217-31</b>	
3/8"-16 x 5" Eye Bolt	2
3/8" - Eye Nut	2
Rope Clamp - Net Tightener	2
5/16" x 2-1/2" S-Hook	2

<b>2217-21</b>	<b>Qty</b>
Net Tightener Handle	1
2-7/8" Net Tightener Collar	1
5/16 x 3/4" Hex Bolt for Above	2
5/16" Flat Washer for Above	2
2-7/8" Side Pulley Collar	1
2-1/2" Cast Pulley	1
3/8" x 1-1/2" Eye Bolt	1
3/8" Nylock Nut for Side Pulley	1
1/2" x 3/4" Set Screw	2
3/8"-16 x 5" Eye Bolt	3
3/8" Nylock Nut	3
Rope Clamp with S-Hook	1
1/4" Hex Key Wrench	1

<b>2217-41</b>	<b>Qty</b>
Net Tightener Handle	1
2-7/8" Net Tightener Collar	1
3/8 x 3/4" Hex Bolt for Above	2
3/8" Flat Washer for Above	2
2-7/8" Side Pulley Collar	1
2-1/2" Cast Pulley	1
3/8" x 2" Eye Bolt	1
3/8" Nylock Nut for Side Pulley	1
1/2" x 3/4" Set Screw for Collar	1
Rope Clamp - Net Tightener	1
1/2" Eye Nut - Welded Thread for SP	1
Rope Clamp with S-Hook	1
5/16" x 2-1/2" S-Hook	1
1/4" Hex Key Wrench	1