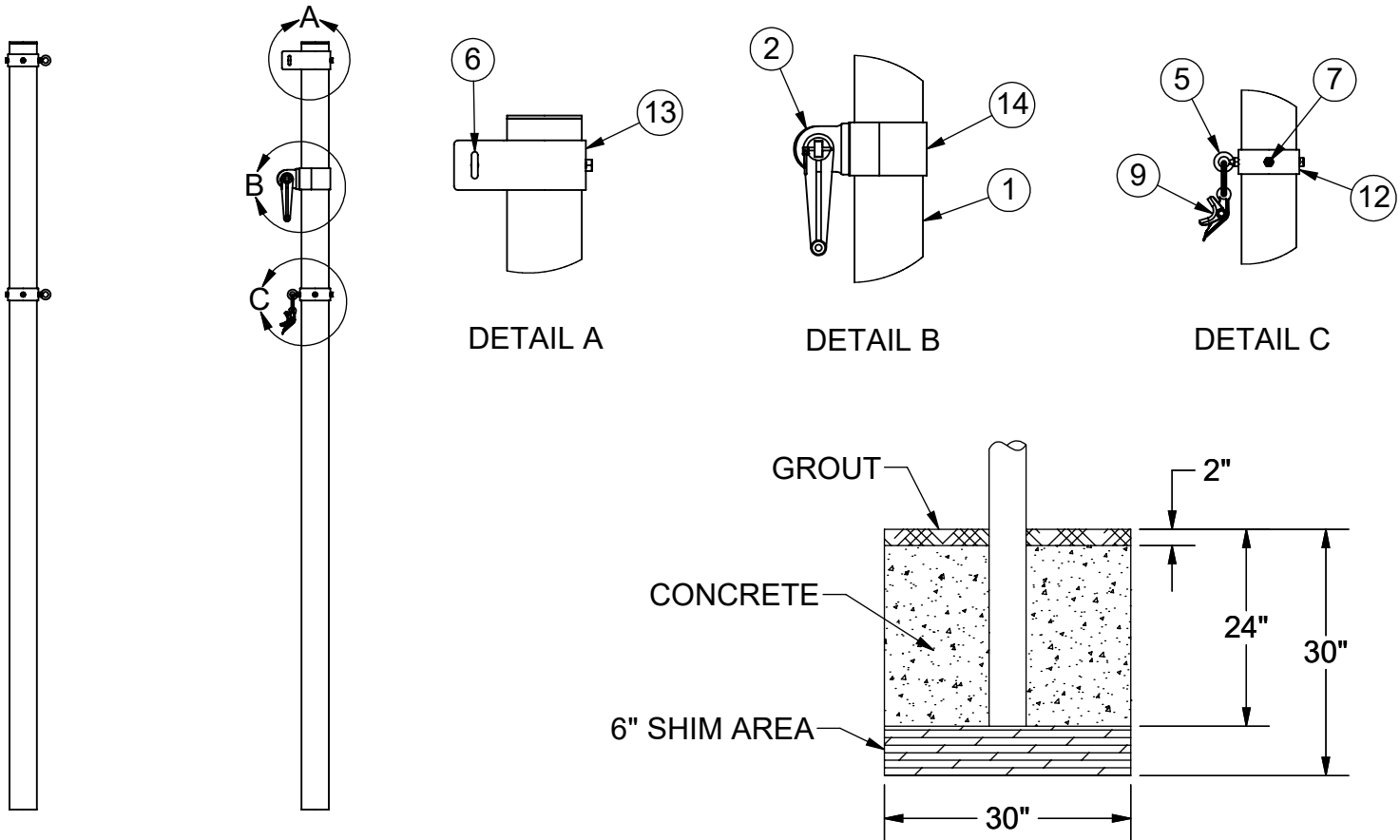


ITEM NO.	PART NUMBER	DESCRIPTION	QTY.
1	W2217APOST	4-1/2" O.D. ALUMINUM GAME POST AND CAP	2
2	8321NT	NET TIGHTENER WITH REMOVABLE HANDLE	1
3	HWHB51634	5/16" x 3/4" HEX BOLT	2
4	HWFLWA516	5/16" USS FLAT WASHER	2
5	HWEB381	3/8" x 1" TURNED EYE BOLT	3
6	HWEB382	3/8" x 2" TURNED EYE BOLT	1
7	HWSCSS3858	3/8"-16 x 5/8" STAINLESS STEEL SET SCREW	8
8	HWLN38	3/8" NYLOK NUT ZINC	1
9	604-044	ROPE CLAMP WITH S-HOOK	1
10	HWFLWA38	3/8" USS FLAT WASHER	1
11	VCIPULLEY	SIDE COLLAR PULLEY	1
12	GP412ADJC	4-1/2" I.D. ADJUSTABLE COLLAR	3
13	CINETSIDE412	SIDE PULLEY COLLAR	1
14	CINETCOL412	ADJUSTABLE NET COLLAR	1



NOTE: FOR SAND INSTALLATION, ADD THE THE DEPTH OF THE SAND TO TOTAL.

FOOTING DETAIL



Date: 6/5/23  
 Rev:  
 Drawn: CW  
 Sheet: 1 of 1

**PRODUCT NAME**  
 4-1/2" O.D. ALUMINUM POST SET  
**MODEL NO.**  
 2217-21A-SPEC