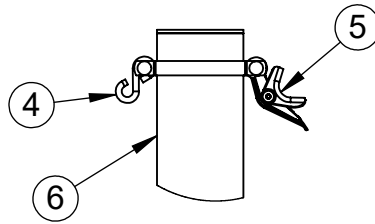
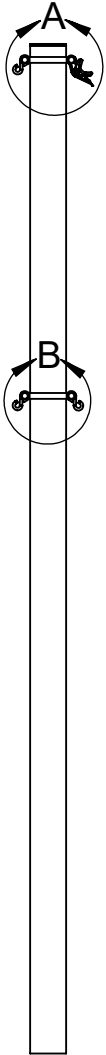
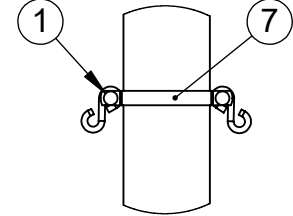


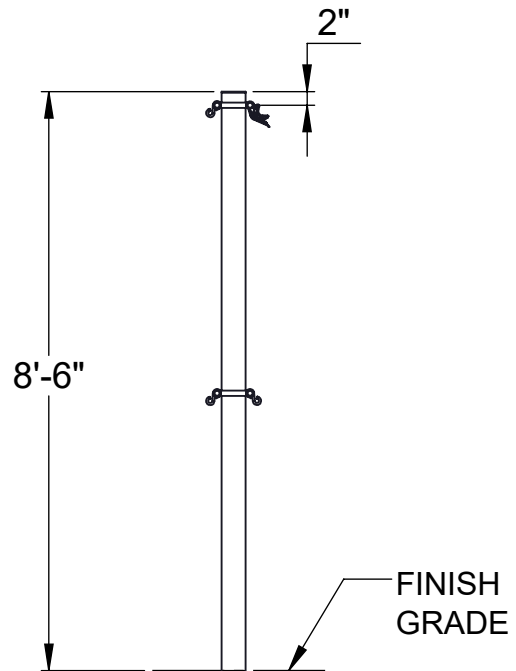
ITEM NO.	PART NUMBER	DESCRIPTION	QTY.
1	HWCB5161	5/16"-18 x 1" CARRIAGE BOLT	4
2	HWFLWA516	5/16" USS FLAT WASHER	4
3	HWLN516	5/16"-18 LOCK NUT	4
4	HWSH516212	5/16" x 2-1/2" S-HOOK	3
5	604-044	ROPE CLAMP WITH S-HOOK	1
6	W2217APOST	4-1/2" O.D. ALUMINUM GAME POST AND CAP	1
7	VCISPLIT45	SPLIT RAIL HALF CLAMP FOR 4-1/2" O.D. POST	2




DETAIL A



DETAIL B



INSTALL THE POST IN A  $\phi$  18" x 24" DEEP CONCRETE FOOTING OR POST SLEEVE. THE TOP OF THE POST IS 8'-6" ABOVE THE FINISH GRADE.

	Date: 6/5/23	<b>PRODUCT NAME</b> SUPER VALUE ALUMINUM COMBO NET CENTER POST
	Rev:	
	Drawn: CW	MODEL NO.
	Sheet: 1 of 1	2217-31A-SPEC