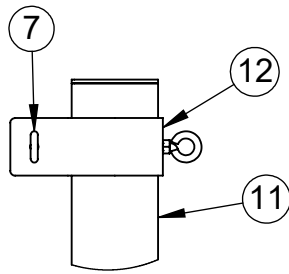
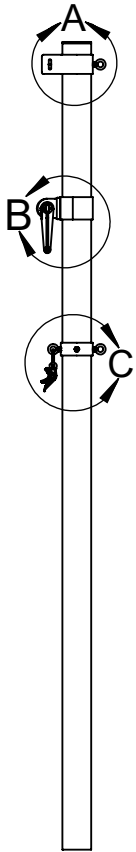
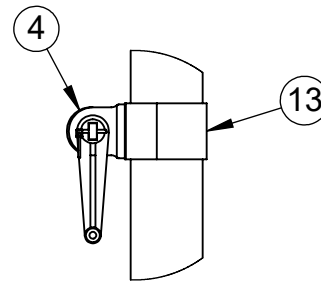


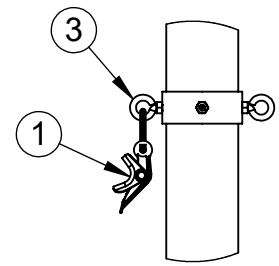
ITEM NO.	PART NUMBER	DESCRIPTION	QTY.
1	604-044	ROPE CLAMP WITH S-HOOK	1
2	HWSCSS3858	3/8"-16 x 5/8" STAINLESS STEEL SET SCREW	2
3	HWEB381	3/8" x 1" TURNED EYE BOLT	3
4	8321NT	NET TIGHTENER WITH REMOVABLE HANDLE	1
5	HWHB51634	5/16" x 3/4" HEX BOLT	2
6	HWFLWA516	5/16" USS FLAT WASHER	2
7	HWEB382	3/8" x 2" TURNED EYE BOLT	1
8	HWFLWA38	3/8" USS FLAT WASHER	1
9	HWLN38	3/8" NYLOK NUT ZINC	1
10	VCIPULLEY	SIDE COLLAR PULLEY	1
11	W2217APOST	4-1/2" O.D. ALUMINUM GAME POST AND CAP	1
12	CINETSIDE412	SIDE PULLEY COLLAR	1
13	CINETCOL412	ADJUSTABLE NET COLLAR	1
14	GP412ADJC	4-1/2" I.D. ADJUSTABLE COLLAR	1



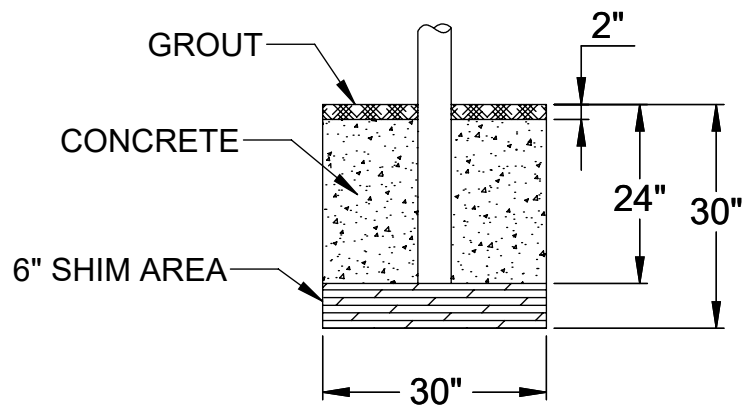
DETAIL A



DETAIL B



DETAIL C



FOOTING DETAIL

NOTE: FOR SAND INSTALLATION, ADD THE DEPTH OF THE SAND TO THE TOTAL.



Date: 6/5/23
 Rev:
 Drawn: CW
 Sheet: 1 of 1

PRODUCT NAME
 DELUXE COMPETITION
 ALUMINUM CENTER POST
 MODEL NO.
 2217-41A-SPEC