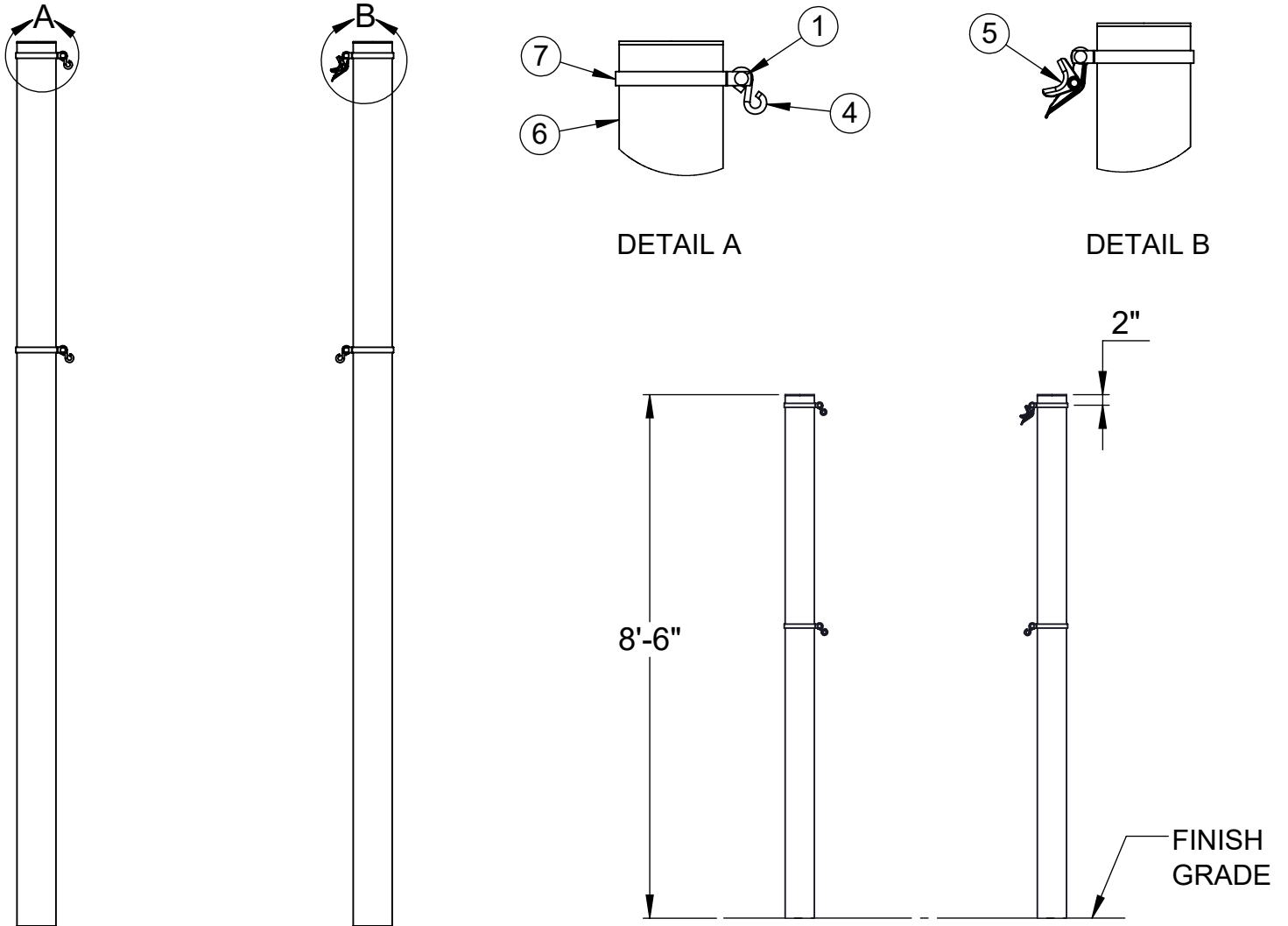


ITEM NO.	PART NUMBER	DESCRIPTION	QTY.
1	HWCB5161	5/16"-18 x 1" CARRIAGE BOLT	4
2	HWFLWA516	5/16" USS FLAT WASHER	4
3	HWLN516	5/16"-18 LOCK NUT	4
4	HWSH516212	5/16" x 2-1/2" S-HOOK	3
5	604-044	ROPE CLAMP WITH S-HOOK	1
6	W2218GPOST	5-9/16" O.D. GAME POST AND CAP	2
7	VCIBB5916	5-9/16" BRACE BAND	4



INSTALL THE POSTS IN ϕ 18" x 24" DEEP CONCRETE FOOTINGS OR POST SLEEVES. THE TOPS OF THE POSTS ARE 8'-6" ABOVE THE FINISH GRADE.



Date: 6/5/23
 Rev:
 Drawn: CW
 Sheet: 1 of 1

PRODUCT NAME
 SUPER VALUE COMBO NET POSTS
 MODEL NO.
 2218-00-SPEC