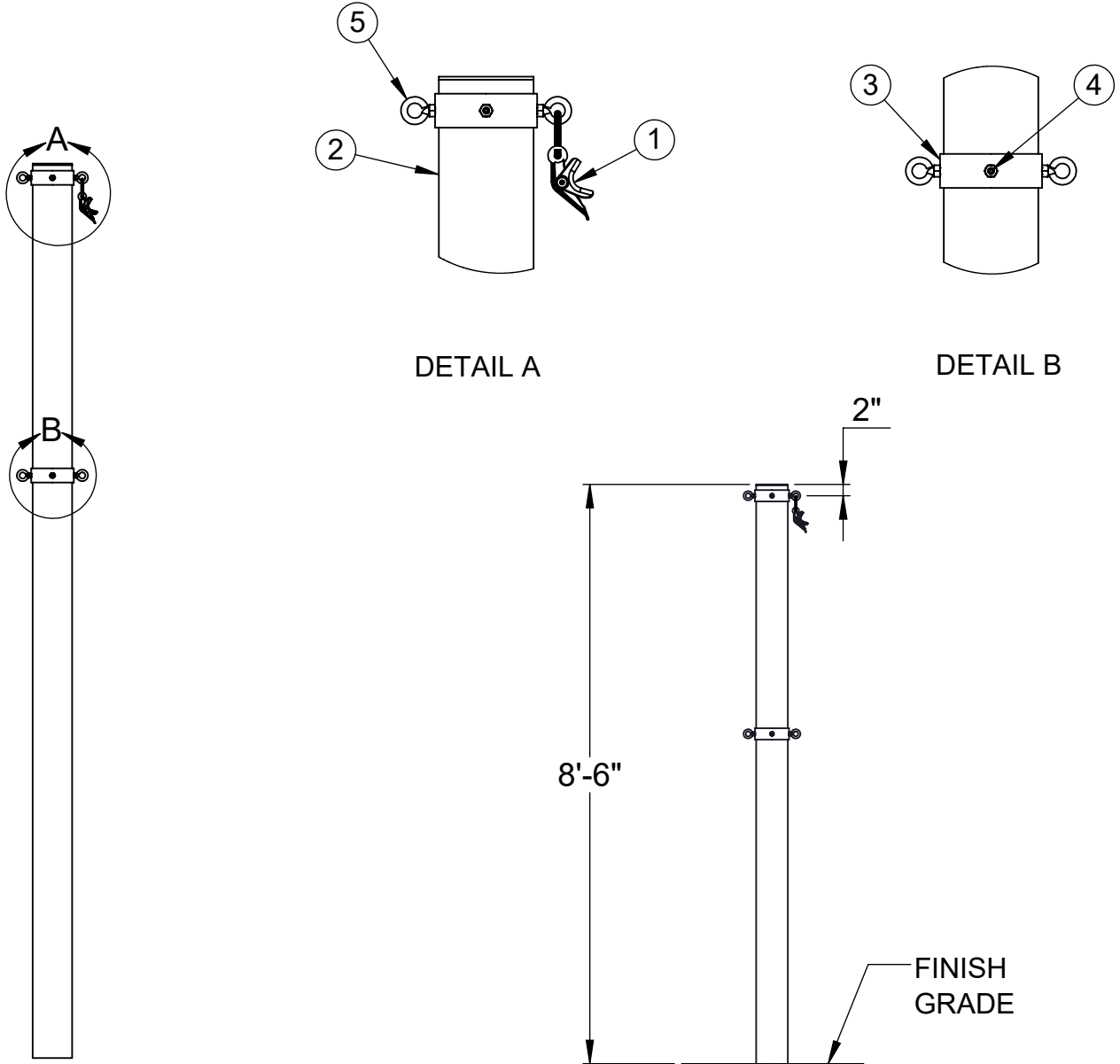



ITEM NO.	PART NUMBER	DESCRIPTION	QTY.
1	604-044	ROPE CLAMP WITH S-HOOK	1
2	W2218GPOST	5-9/16" O.D. GAME POST AND CAP	1
3	GP5916ADJC	5-9/16" I.D. ADJUSTABLE COLLAR	2
4	HWSCSS3858	3/8"-16 x 5/8" STAINLESS STEEL SET SCREW	2
5	HWEB381	3/8" x 1" TURNED EYE BOLT	4



INSTALL THE POST IN A ϕ 18" x 24" DEEP CONCRETE FOOTING OR POST SLEEVE.
THE TOP OF THE POST IS 8'-6" ABOVE THE FINISH GRADE.

	Date: 6/5/23	PRODUCT NAME	SUPER VALUE COMBO NET CENTER POST
	Rev:		
	Drawn: CW	MODEL NO.	2218-31-SPEC
	Sheet: 1 of 1		