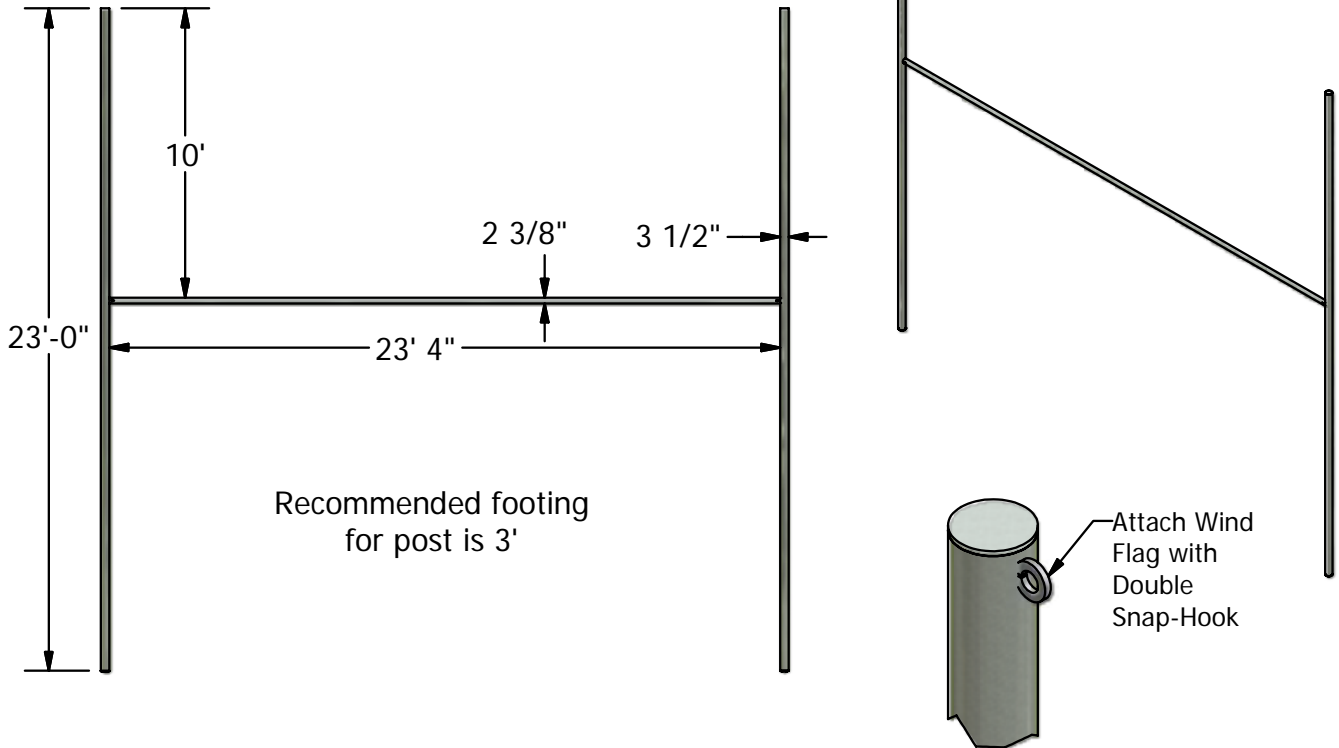


H-TYPE FOOTBALL GOALPOSTS

MODEL #2223 H-TYPE GOAL WITH 10' UPRITHS (857 LBS/PR)



GENERAL:

These goalposts can be installed permanently or placed in our 36" deep ground sleeves for easy removal. Goals come galvanized as standard.

MATERIALS:


Support Posts: 3-1/2" O.D. galvanized steel which extends 36" into concrete footings or sleeves. Welded sleeves to attach crossbar.

Crossbar Assembly: 2-3/8" O.D. galvanized steel.

Ground Sleeves (optional): Model 8308-03 consists of a set of four sleeves designed to accept goal uprights.

Finish: All welds are ground smooth. All hardware is zinc-plated for long rust-free service.

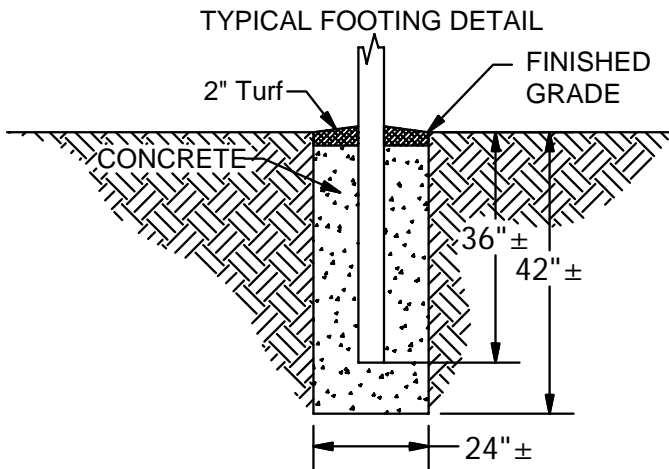
Warranty Period: 10 Years

 <p>Patterson-Williams ATHLETIC MFG. CO. QUALITY ATHLETIC AND PARK EQUIPMENT SINCE 1919</p>	Date: 08-26-11	SPECIFICATION/INSTALLATION INSTRUCTIONS
	Rev: 120512	
	Drawn: AMC	MODEL NO.
	Sheet: 1 of 2	2223


INSTALLATION INSTRUCTIONS:

1. Dig four holes per goal following the footing detail above. Holes for the upright posts are 24" in diameter x 48" deep, centered on the end zone boundary line of the football field.
2. Lay the upright post on ground with sleeve stubs facing each other.
3. Bolt crossbar to sleeve with 3/8" x 2" Socket Head bolt. Tighten set screws on the sleeves one full turn past hand tight with a hammer and wrench to secure posts.
4. Lower assembly into footing holes and block from underneath. Adjust height to top of crossbar to 10' above finish grade. Plumb and brace. Repeat for opposite goal.
5. Pour concrete up to within 2" of finish grade. Allow 3 days for concrete to set before completion. Replace turf to cover tops of footings.

NOTE: Footing sizes are based on average soil conditions. Loose and/or sandy soil is not average and footing sizes must be increased accordingly to meet local soil conditions.



Component Description	Qty
3/8" x 1" Barrel Nut	4
3/8-16 x 1-3/4" BUTTON HEAD	4
Double Snap Hook	4
Wind Flags	4

 <p>Patterson-Williams ATHLETIC MFG. CO. QUALITY ATHLETIC AND PARK EQUIPMENT SINCE 1919</p>	Date: 08-26-11	SPECIFICATION/INSTALLATION INSTRUCTIONS H-TYPE FOOTBALL GOALPOSTS
	Rev: 120512	
	Drawn: AMC	MODEL NO.
	Sheet: 2 of 2	2223