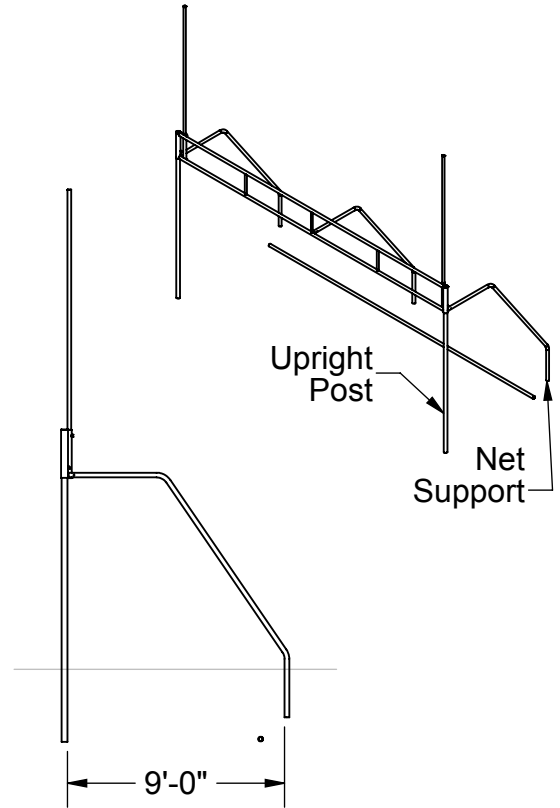
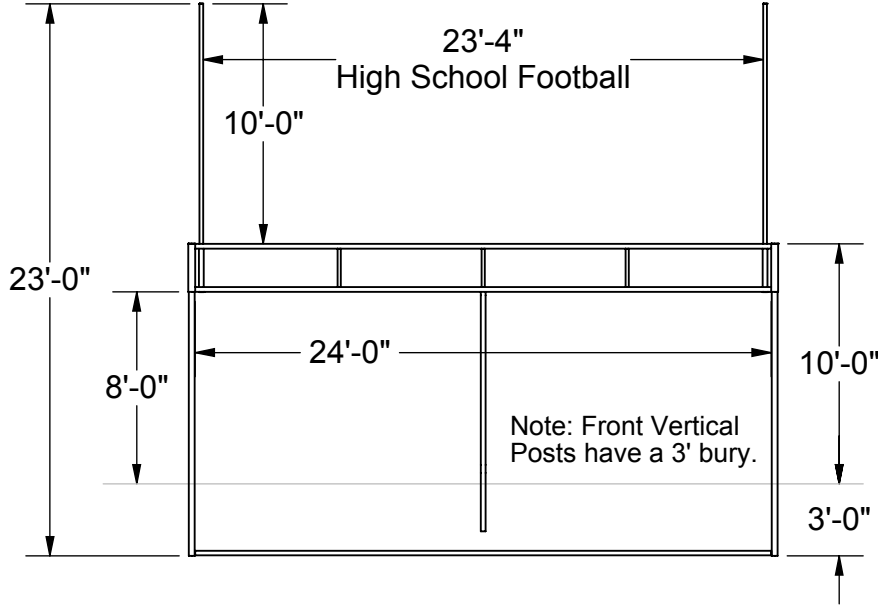


# COMBO SOCCER / FOOTBALL GOAL

MODEL #2224-01

23' 4" WIDE GOAL W/ 2 NET SUPPORTS (1,050 LBS)



Note: Net Supports are galvanized unless otherwise specified.

## SPECIFICATIONS:

A pair of heavy-duty, all galvanized steel, combination goals for both soccer and football. Goals comply with NCAA regulations for openings and heights of both. Goals are offered with two removable soccer net supports, which help maintain net shape, or without net supports. To meet varying field requirements, ground sleeves are available for easy knock-down and storage of goals (see below for model number and description). Soccer nets are not included with the goals.

**Materials:** Support Posts: 2-7/8" O.D. galvanized steel which extends 36" into concrete footings or sleeves.

**Crossbar Assembly:** 2-3/8" O.D. galvanized steel with vertical support members of 1-5/8" O.D.

**Uprights:** 1-7/8" O.D. fit into 2-3/8" O.D. pipe sleeves welded to crossbar assembly.

**Soccer Net Supports (optional):** 2-3/8" O.D. Top of supports secure to truss assembly using welded stubs.

**Ground Sleeves (optional):** Model 8302-31 consists of a set four sleeves designed to accept goal uprights. For net support sleeves, use Model 8301-01 or 8301-31. Note: Ground sleeves must be specified at time of order.

**Finish:** All welds are ground smooth. All hardware is zinc-plated for long rust-free service.

**Warranty Period:** 10 Years



Date: 9/22/15  
 Rev: 9/22/15  
 Drawn: MT  
 Sheet: 1 of 2

## SPECIFICATION / INSTALLATION INSTRUCTIONS

COMBO SOCCER / FOOTBALL GOAL

MODEL NO.

**2224-01**

**INSTALLATION INSTRUCTIONS:**

1. Dig footing holes per goal following the footing detail below. Holes for the support posts are 24" in diameter x 42" deep, the holes for the net supports are 18" x 30", approximately 24' apart, centered on the end zone boundary line of the football field. Lay truss assembly on ground with stubs facing up for the net supports.
2. The support posts, 2-7/8" O.D. x 13' long are inserted in the sleeves at the ends of the crossbar assembly until fully seated. Tighten set screws on the sleeves one full turn past hand tight with a hammer and wrench to secure posts. NOTE: If goals are specified with net supports, the crossbar assembly is equipped with welded stubs. Position crossbar assembly so the stubs face the rear of the goal.
3. Lower assembly into footing holes and block from underneath. Adjust height to top of crossbar to 10' above finish grade. Plumb and brace. Repeat for opposite goal.
4. If net supports were ordered, bolt net support onto stubs using 3/8" x 3" hex bolts.
5. Pour concrete up to within 2" of finished grade. Allow 3 days for concrete to set before completion. Replace turf to cover tops of footings.
6. Insert uprights into sleeves and tighten set screws. Attach wind flags with double snap-hooks provided.

**NOTE:** Footing sizes are based on average soil conditions. Loose and/or sandy soil is not average and footing sizes must be increased accordingly to meet local soil conditions.

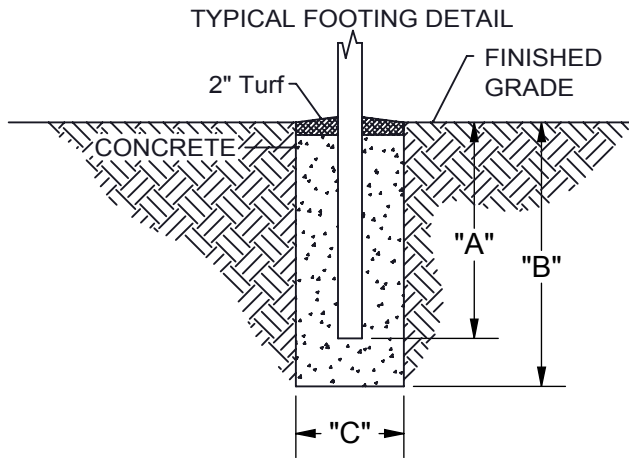


Table			
POST	A DIM.	B DIM.	C DIM.
GOAL UPRIGHT	36"	42"	24"
NET SUPPORT	24"	30"	18"

**COMBINATION FOOTBALL / SOCCER**

ITEM	DESCRIPTION	-01
1	SUPPORT POST ASSEMBLY	4
2	TRUSS ASSEMBLY	2
3	UPRIGHT ASSEMBLY	4
4	NET SUPPORT ASSEMBLY	4
5	HARDWARE KIT	1

**COMBINATION FOOTBALL / SOCCER**

ITEM	HARDWARE	LOCATION	-01
1	5/8" x 1" SET SCREW	UPRIGHTS & GOAL POST	8
2	WIND FLAG	UPRIGHTS	4
3	DOUBLE SNAP HOOK	UPRIGHTS	4
4	3/8" x 3" HEX BOLTS	NET SUPPORT TO GOAL	4
5	3/8" NYLOCK NUTS	NET SUPPORT TO GOAL	4

<p>ATHLETIC MFG. CO.</p>	Date: 9/22/15	<b>SPECIFICATION / INSTALLATION INSTRUCTIONS</b>
	Rev: 9/22/15	
	Drawn: MT	MODEL NO.
	Sheet: 2 of 2	<b>2224-01</b>