

2 3/8" O.D. PERMANENT YOUTH SOCCER GOALS

8' H x 24' W

#2233-00 STEEL - NO NET SUPPORTS - 8'H x 24'W (400 LBS) PER SET

SPECIFICATIONS:

NCAA soccer goal which provides a 8'H x 24'W front inside opening.

Crossbar and Uprights - a single length of 2 3/8" O.D. steel tubing, powder coated white. Crossbar is bolted to uprights.

All hardware is zinc-plated or Stainless Steel for long, rust free service.

Warranty period: 10 years

INSTALLATION:

1. Dig footing holes per detail. Required footing size may vary depending on local building codes
2. Lay Upright/Corner Assemblies parallel on the ground according to width of goal ordered with pipe stubs facing up
3. Assemble crossbar to upright/corner assemblies with 3/8"-16 x 3" bolts .
4. Tighten all bolts and set screws, cut and clean any excess threads.
5. Carefully rotate goal into upright position. Lower goal into footing holes, plumb and brace.
6. Brace so crossbar bottom is 8'-0" above finish grade depending on model ordered. Shim from below if needed.
7. Pour concrete to within 2" of finished grade and let set for 3 days.
8. Cover concrete footings with soil/turf, synthetic turf, or any appropriate field surfacing material.



Date: 7/26/2017

Rev: A

Drawn: BDYE

Sheet: 1 of 3

PRODUCT NAME

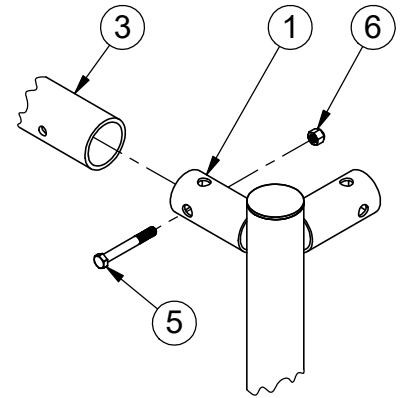
SOCCER GOAL

MODEL NO.

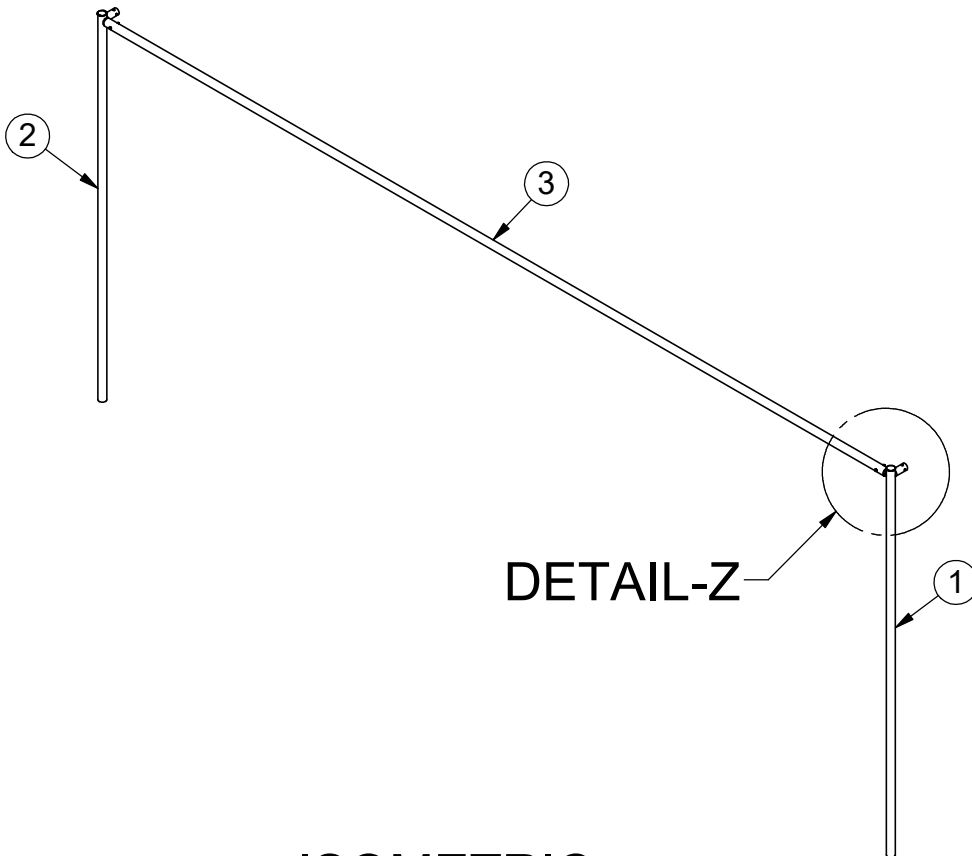
SPEC 2233-00

BOM PER GOAL

ITEM NO.	PART NUMBER	DESCRIPTION	QTY.
1	SAS-500-2233-00-01-G	RIGHT UPRIGHT	1
2	SAS-500-2233-00-01-G	LEFT UPRIGHT	1
3	RT-002-2232-33-G	CROSSBAR	1
4	PL-005-2232-33-G	UPRIGHT CAP	2
5	HWHB383	3/8"x16 x 3" SS HEX BOLT	2
6	HWLN38	3/8"-16 LOCK NUT	2



DETAIL-Z
EXPLODED



ISOMETRIC



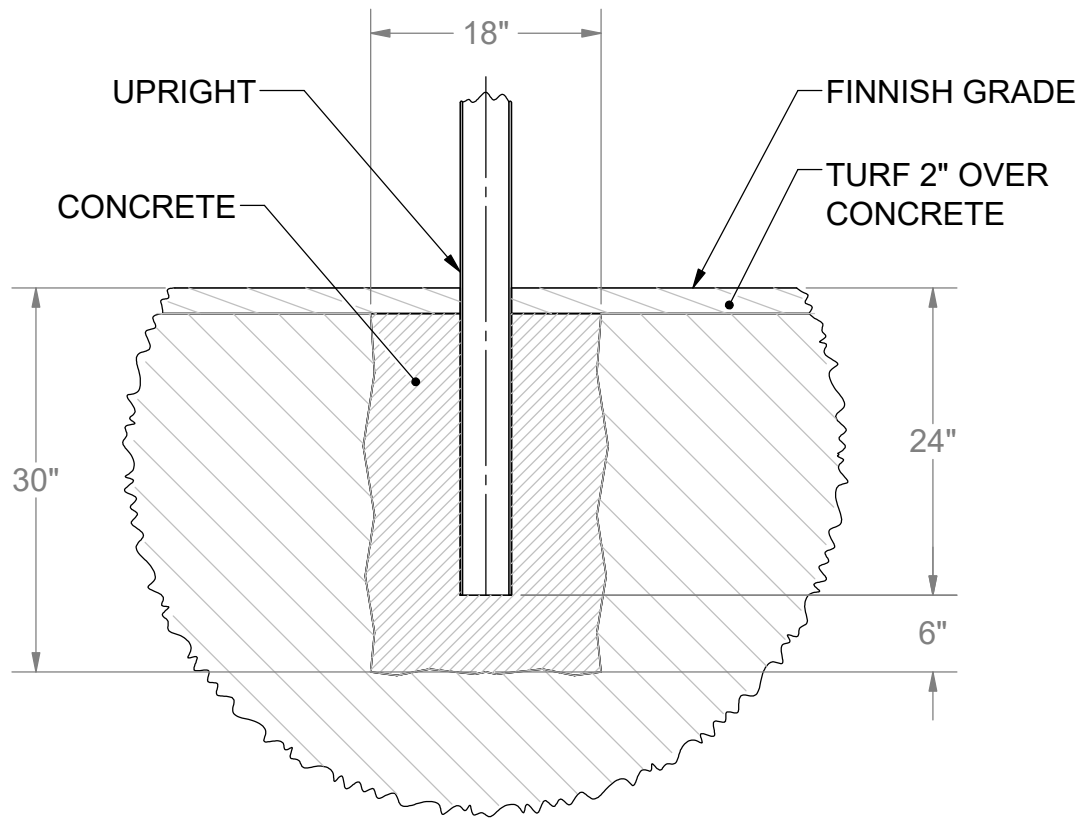
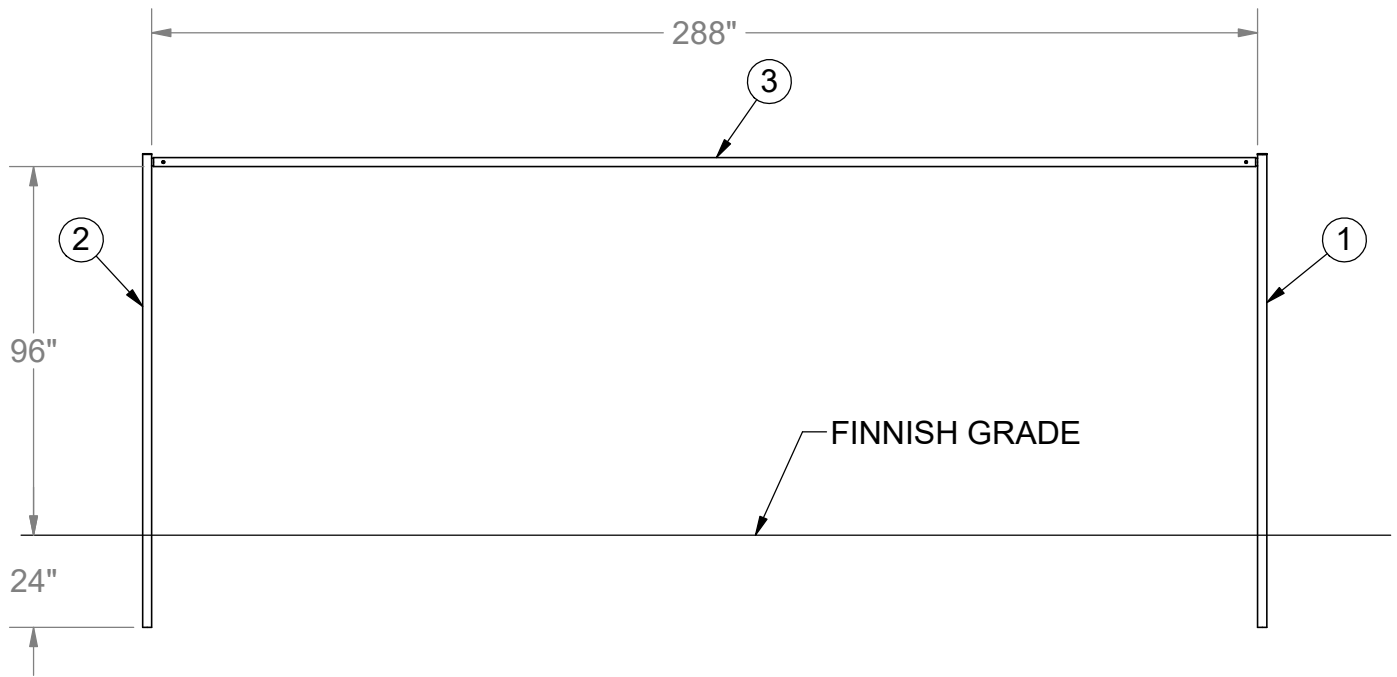
Date: 7/26/2017
 Rev: A
 Drawn: BDYE
 Sheet: 2 of 3

PRODUCT NAME

SOCCKER GOAL

MODEL NO.

SPEC 2233-00



FOOTING DETAIL



Date: 7/26/2017
 Rev: A
 Drawn: BDYE
 Sheet: 3 of 3

PRODUCT NAME
SOCCER GOAL

MODEL NO.
SPEC 2233-00