

## 2 3/8" O.D. PORTABLE YOUTH SOCCER GOALS

8' H x 24' W

#2233-31 STEEL - WITH END FRAMES - 8'H x 24'W (784 LBS) PER SET

### SPECIFICATIONS:

NCAA soccer goal which provides a 8'H x 24'W front inside opening.

Crossbar and Uprights - a single length of 2 3/8 O.D. steel tubing, powder coated white. Crossbar is bolted to uprights.

All hardware is zinc-plated or Stainless Steel for long, rust free service.

Warranty period: 10 years

### INSTALLATION:

1. Lay Upright/Corner Assemblies 24' apart parallel to each other on the ground with drilled pipe stubs facing up
2. Assemble crossbar to upright/corner assemblies with 3/8"-16 x 3" Bolts.
3. Sleeve a T-fitting onto the net support on the long leg of the support (bottom). Make sure set screws will face up.
4. Insert net supports over 2" O.D. drilled inner sleeve stubs on corner assembly units
5. Align holes provided and attach with 3/8" x 3" hex head bolts
6. Attach spreader pipe between net supports. Insert spreader pipe into T-fittings and align holes, bolt through with 3/8" x 3-1/2" hex head bolts and tighten. NOTE: Position spreader pipe as far back on long leg as possible and tighten 3/8" set screws with hex key
7. Tighten all bolts and set screws, cut and peen any excess threads
8. Carefully rotate goal into upright position. Repeat steps for other goal
9. Bolt Adjustable Wheel Bracket & Pnuematic Wheels in friction drill hole locations

### ANCHORING SYSTEM (AUGER ANCHOR)

1. Connect chain to portable goal. Connect opposite end to auger. Pull chain tight then stick auger in ground surface at an slight angle away from goal. (See Page 5, Auger Picture) Twist auger all the way in-ground so the top hook/chain are slightly exposed.



Date: 7/26/2017

Rev: A

Drawn: BDYE

Sheet: 1 of 5

PRODUCT NAME

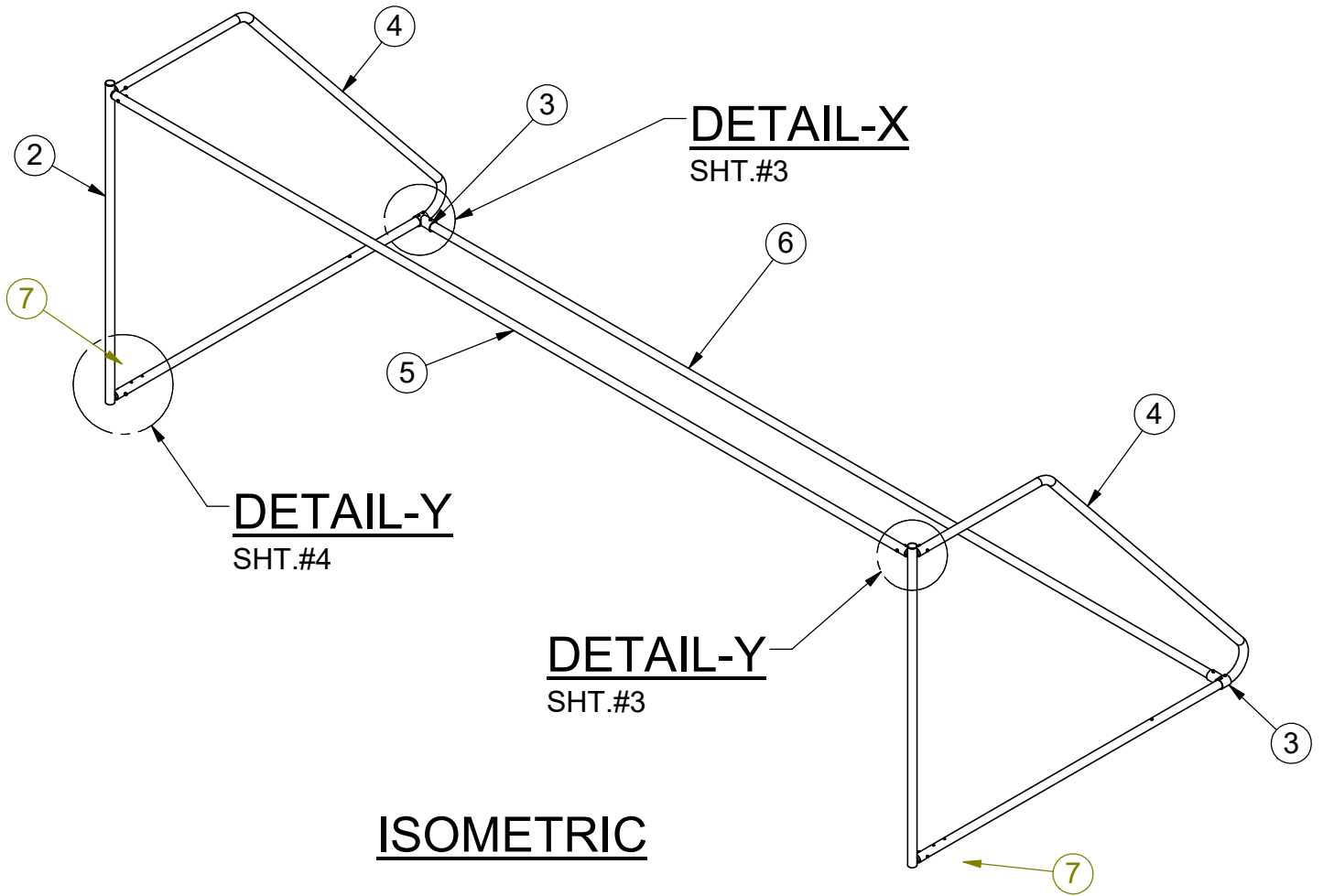
**SOCCER GOAL**

MODEL NO.

**SPEC 2233-31**

BOM PER GOAL

ITEM NO.	PART NUMBER	DESCRIPTION	QTY.
1	SAS-500-2232-33-00-G	RIGHT UPRIGHT	1
2	SAS-500-2232-33-00-G	LEFT UPRIGHT	1
3	SAS-501-2200-G	2 7/8"x 3/16" WALL TEE FITTING	2
4	RT-004-2200-G-8	NET SUPPORT TUBE	2
5	RT-002-2232-33-G	CROSSBAR	1
6	RT-003-2232-33-285.88-G	SPREADER PIPE	1
8	HWHB383	3/8"x16 x 3" SS HEX BOLT	6
9	HWLN38	3/8"-16 LOCK NUT	8
10	HWHB38312	3/8-16 X 3 1/2 GR5 HEX BOLT ZINC	2
11	HWSC3838	3/8"-16 x 5/8" SET SCREW	4
12	PL-005-2232-33-G	UPRIGHT CAP	2



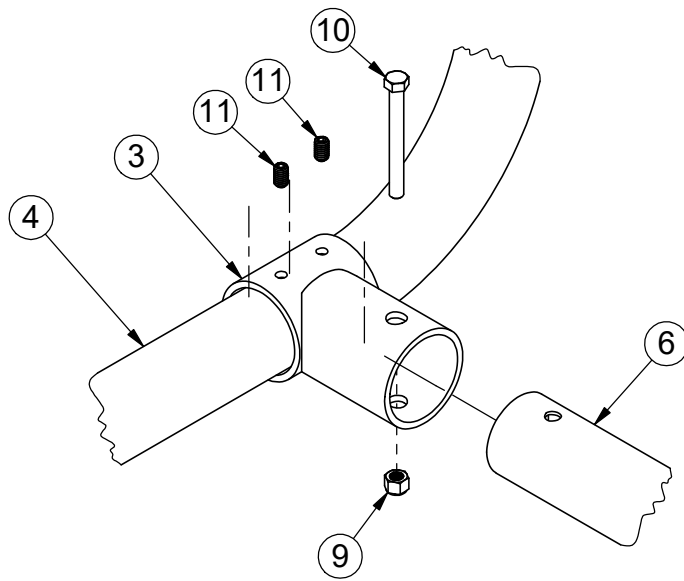
Date: 7/26/2017  
 Rev: A  
 Drawn: BDYE  
 Sheet: 2 of 5

PRODUCT NAME

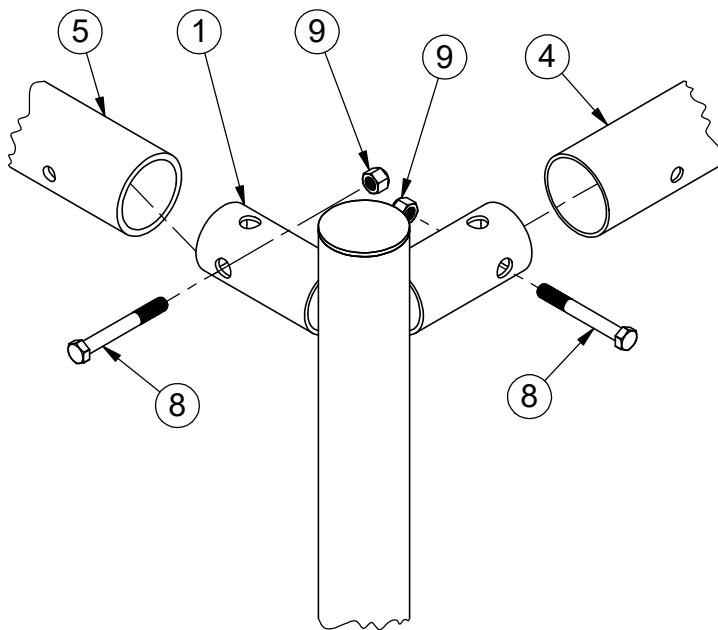
**SOCCER GOAL**

MODEL NO.

**SPEC 2233-31**



**DETAIL-X**



**DETAIL-X**



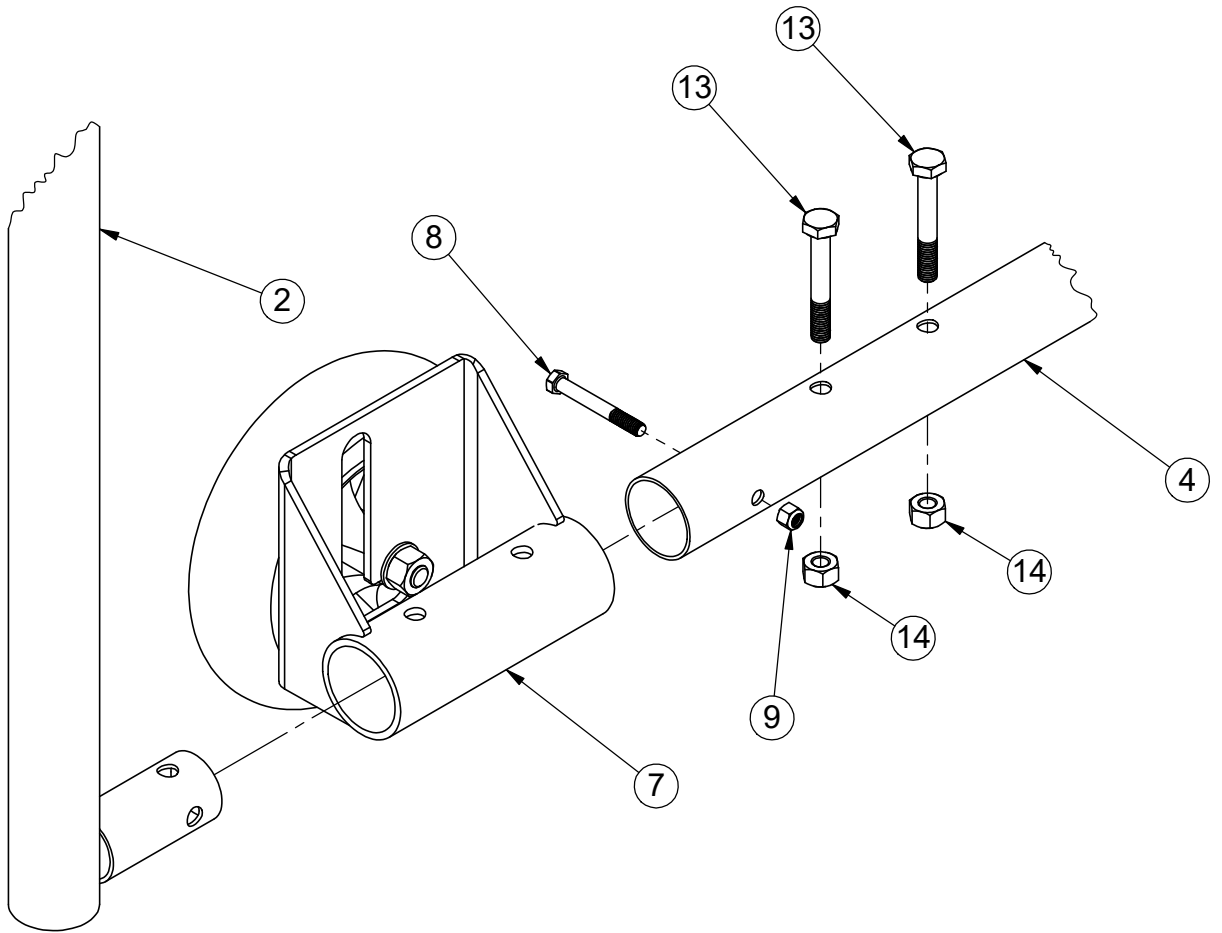
Date: 7/26/2017  
 Rev: A  
 Drawn: BDYE  
 Sheet: 3 of 5

**PRODUCT NAME**

**SOCCER GOAL**

MODEL NO.

**SPEC 2233-31**



**DETAIL-Z**



Date: 7/26/2017

Rev: A

Drawn: BDIYE

Sheet: 4 of 5

**PRODUCT NAME**

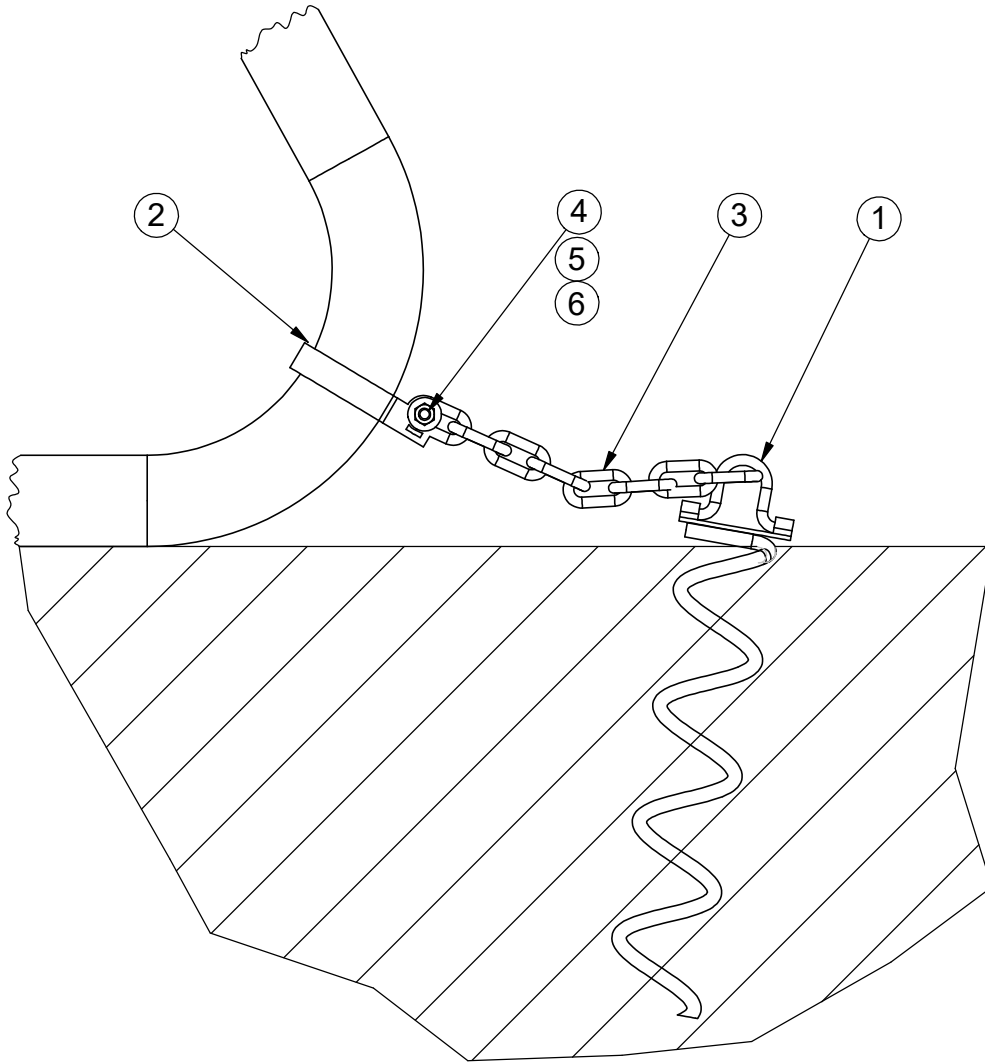
**SOCCER GOAL**

MODEL NO.

**SPEC 2233-31**

BOM PER 2 GOALS

ITEM NO.	PART NUMBER	DESCRIPTION	QTY.
1	PI-001-8347-S	AUGER	4
2	VCIBB238	2 3/8" BRACE BAND	4
3	HWCHAIN316	24" CHAIN	4
4	HWCB5161	5/16"x 1" CARRIAGE BOLT	4
5	HWFLW516	5/16" FLAT WASHER	4
6	HWLN516	5/15" NYLOCK NUT	4



SIDE VIEW



Date: 7/26/2017  
 Rev: A  
 Drawn: BDYE  
 Sheet: 5 of 5

PRODUCT NAME

**SOCCER GOAL**

MODEL NO.

**SPEC 2233-31**