

## 4" x 4" PORTABLE HEAVY-DUTY NCAA REGULATION SOCCER GOALS

8' H x 24' W

#2235-00 STEEL - WITH END FRAMES AND NET SUPPORTS - 8'H x 24'W(1,464 LBS) PER SET

#2235-00A ALUMINUM - WITH END FRAMES AND NET SUPPPORTS - 8'H x 24'W(1,150 LBS) PER SET

### **SPECIFICATIONS:**

NCAA soccer goal which provides a 8'H x 24'W front inside opening.

Crossbar and Uprights - a single length of 4" x 4" x 11ga rectangular steel or aluminum tubing, powder coated white. Crossbar is bolted to uprights.

All hardware is zinc-plated or Stainless Steel for long, rust free service.

Warranty period: 10 years

### **INSTALLATION:**

1. Lay Upright/Corner Assemblies 24' apart parallel to each other on the ground with drilled pipe stubs facing up
2. Assemble crossbar to upright/corner assemblies with 3/8"-16 x 3/4" Button Head Bolts.
3. Sleeve T-fittings onto the net support on the long leg of the support (bottom) and on spreader bar. Make sure four way fitting is between the tee fittings on top spreader bar and bottom, set screws will face up.
4. Insert net supports large and small over 2" O.D. drilled inner sleeve stubs on uprights and crossbar.
5. Align holes provided and attach with 3/8" x 3" hex head bolts
6. Attach top and bottom spreader pipe between large net supports. Insert spreader pipe into T-fittings and align holes, bolt through with 3/8" x 3-1/2" hex head bolts and tighten. NOTE: Position spreader pipe as far back on leg as possible and tighten 3/8" set screws with hex key
7. Tighten all bolts and set screws, cut and peen any excess threads
8. Carefully rotate goal into upright position.
9. Bolt middle net support to four way and tee fitting. Repeat steps for other goal
10. Bolt Adjustable Wheel Bracket & Pnuematic Wheels in friction drill hole locations. Repeat steps for other goal

### **ANCHORING SYSTEM (AUGER ANCHOR)**

Connect chain to portable goal. Connect opposite end to auger. Pull chain tight then stick auger in ground surface at an slight angle away from goal. (See Page 5, Auger Picture) Twist auger all the way in-ground so the top hook/chain are slightly exposed.

### **NOTE:**

Footing sizes are based on average soil conditions. Loose and/or sandy soil is not average and footing sizes must be increased according to local soil conditions. See local building codes.



Date: 7/26/2017

Rev: A

Drawn: BDYE

Sheet: 1 of 5

PRODUCT NAME

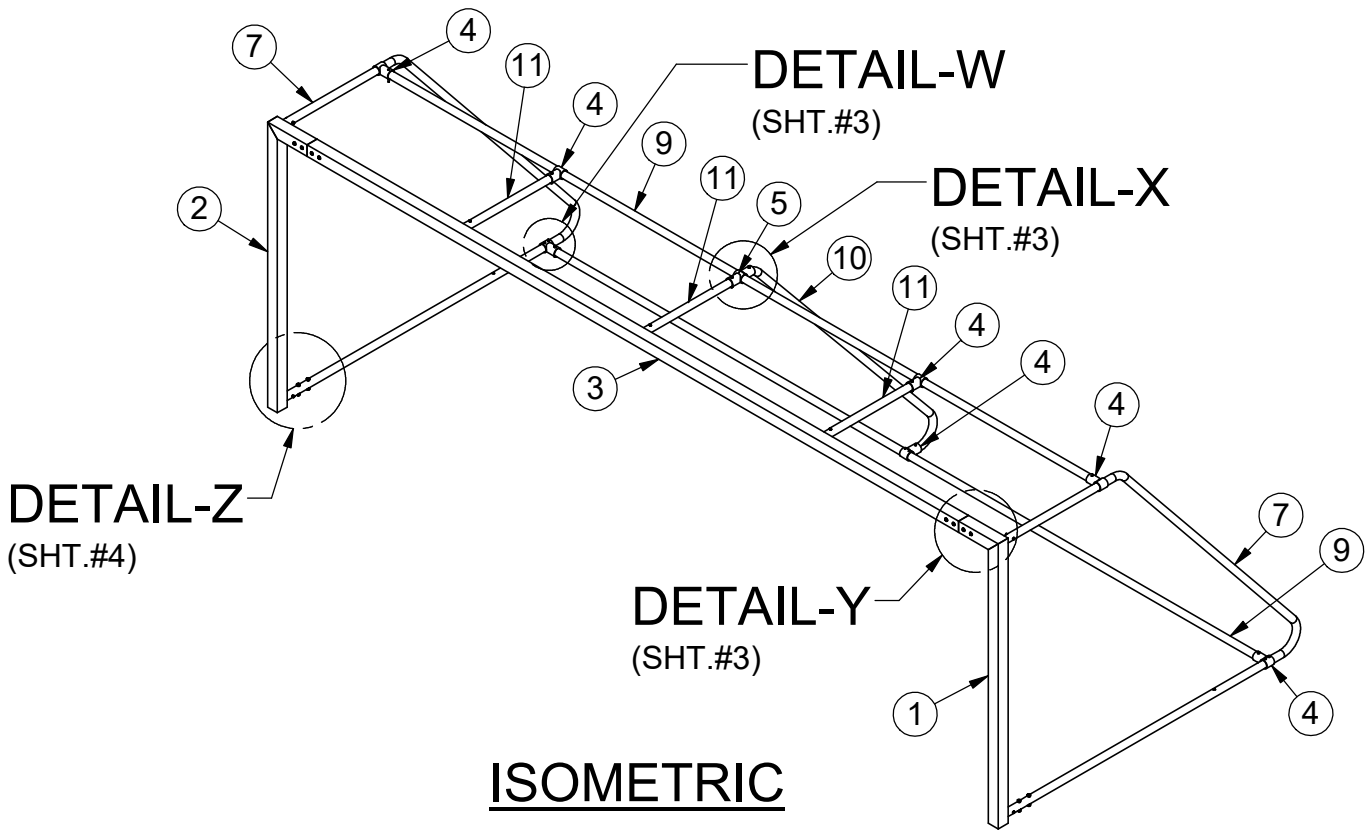
**SOCCKER GOAL**

MODEL NO.

**SPEC 2235-00A-00G**

**BOM PER GOAL**

ITEM NO.	PART NUMBER	DESCRIPTION	QTY.
1	SAS-501-2235-37-00-01G	RIGHT 4x4 UPRIGHT	1
2	SAS-501-2235-37-00-01G	RIGHT 4x4 UPRIGHT	1
3	SAS-502-2235-00-02G	CROSSBAR STUB ASSY	1
4	SAS-501-2200-G	2 7/8"x 3/16"WALL TEE FITTING	7
5	SAS-518-2200-G	2 7/8"x 3/16"WALL FOUR WAY FITTING	1
7	RT-004-2200-G-8	NET SUPPORT TUBE	2
8	PL-045-2200-G	STEEL CHANNEL SLEEVE (4x4)	2
9	RT-037-2200-288G	SPREADER PIPE	2
10	RT-005-2235-G-8	MIDDLE NET SUPPORT TUBE	1
11	RT-006-2235-G	SMALL TOP SPREADER PIPE	3
12	HWHB383	3/8"x16 x 3" SS HEX BOLT	7
13	HWLN38	3/8"-16 LOCK NUT	16
14	HWHB38312	3/8-16 X 3 1/2 GR5 HEX BOLT ZINC	9
15	HWSC3838	3/8"-16 x 5/8" SET SCREW	16
16	HWBHSS3834	3/8"-16 x 3/4" BUTTON HEAD BOLT	16
17	HWFLWASS38	3/8" FLAT WASHER	16
18	HWHB12312	1/2-13x3.5 GR5 C/S ZINC HEX BOLT	4
19	HWLN12	1/2-13 NYLOK INSERT LOCKNUT ZINC (1500)	4



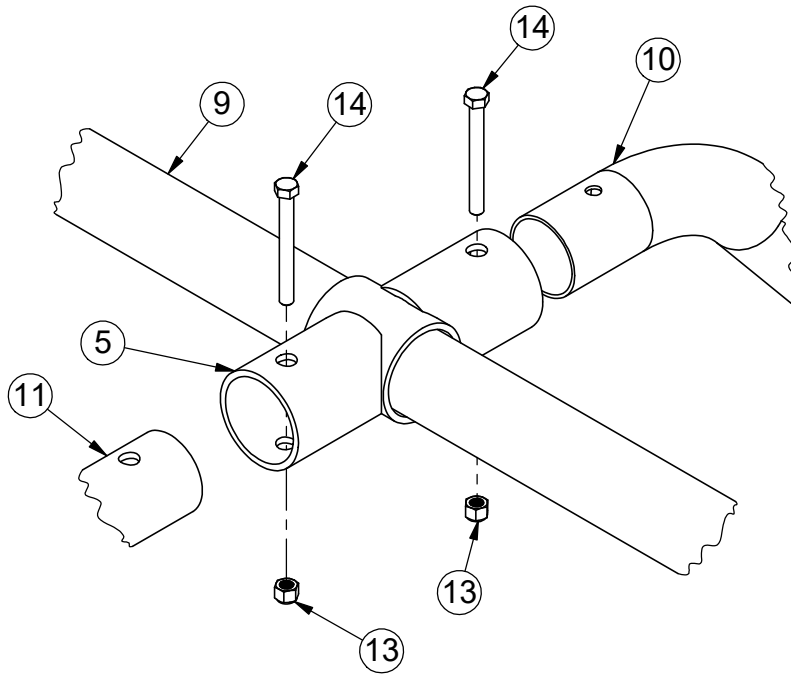
Date: 7/26/2017  
 Rev: A  
 Drawn: BDYE  
 Sheet: 2 of 5

**PRODUCT NAME**

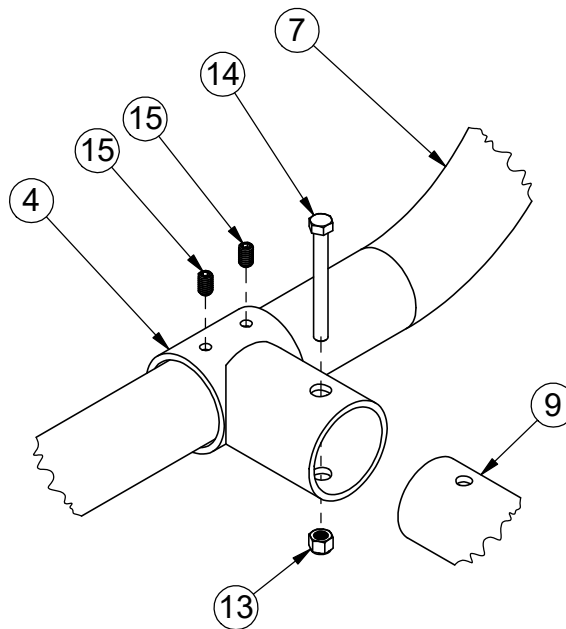
**SOCCER GOAL**

**MODEL NO.**

**SPEC 2235-00A-00G**



**DETAIL-X**  
EXPLODED



**DETAIL-W**  
EXPLODED



Date: 7/26/2017

Rev: A

Drawn: BDYE

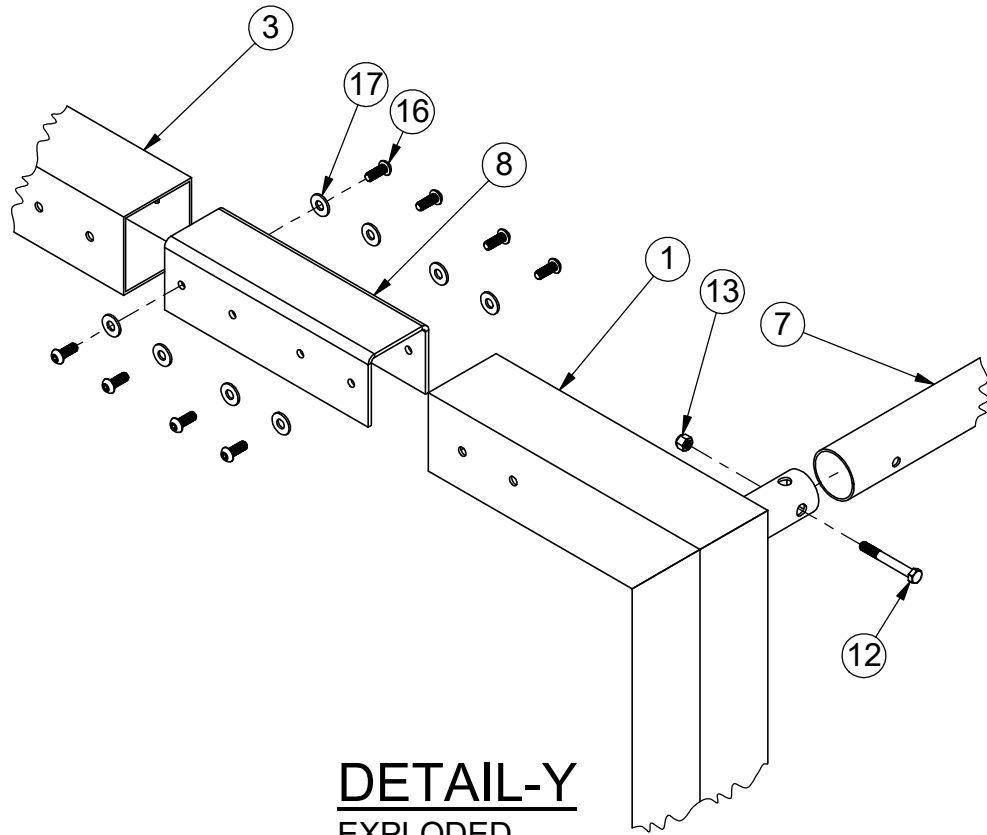
Sheet: 3 of 5

PRODUCT NAME

**SOCCKER GOAL**

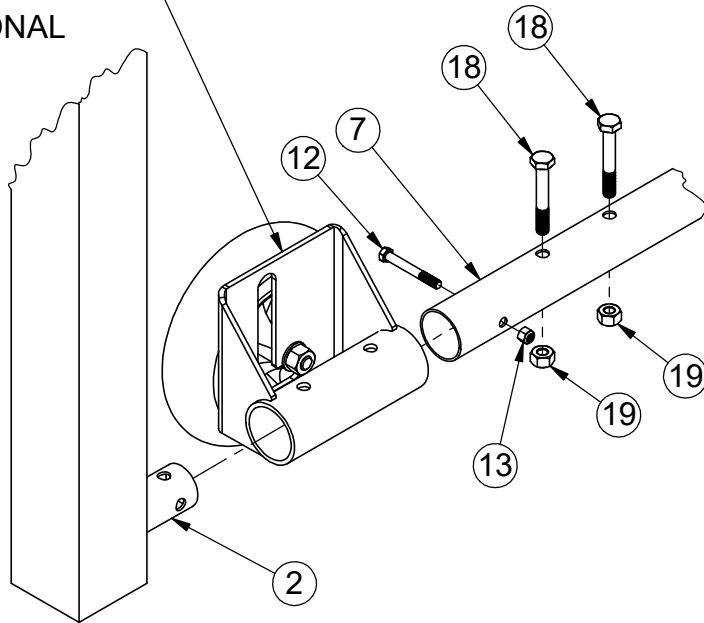
MODEL NO.

**SPEC 2235-00A-00G**



**DETAIL-Y**  
EXPLODED

TRANSPORT WHEEL  
ASSY OPTIONAL



**DETAIL-Z**  
EXPLODED



Date: 7/26/2017

Rev: A

Drawn: BDYE

Sheet: 4 of 5

PRODUCT NAME

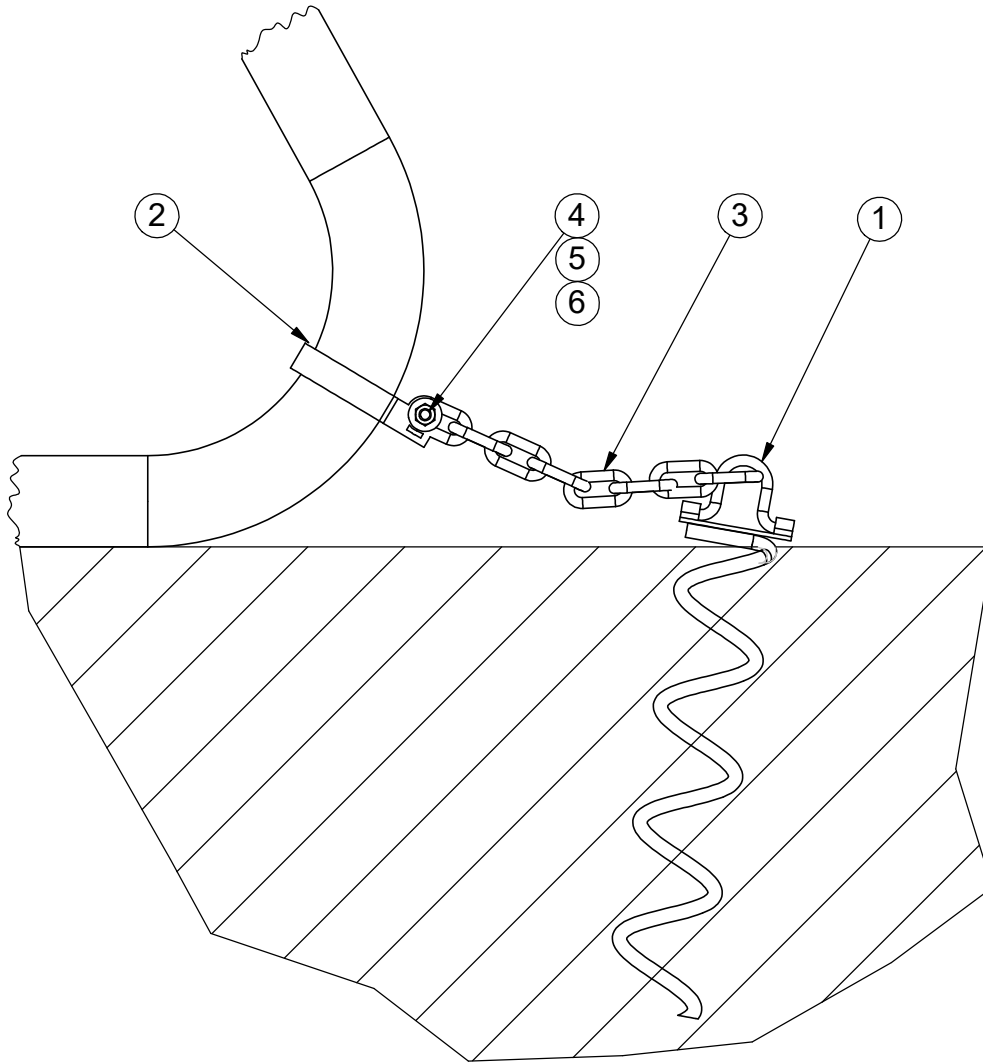
**SOCCKER GOAL**

MODEL NO.

**SPEC 2235-00A-00G**

BOM PER 2 GOALS

ITEM NO.	PART NUMBER	DESCRIPTION	QTY.
1	PI-001-8347-S	AUGER	4
2	VCIBB238	2 3/8"x 1" BRACE BAND	4
3	HWCHAIN316	24" CHAIN	4
4	HWCB5161	5/16"x1" CARRIAGE BOLT	4
5	HWFLW516	5/16" FLAT WASHER	4
6	HWLN516	5/16" NYLOCK NUT	4



SIDE VIEW



Date: 7/26/2017

Rev: A

Drawn: BDYE

Sheet: 5 of 5

PRODUCT NAME

**SOCCER GOAL**

MODEL NO.

**SPEC 2235-00A-00G**