

4" x 4" PERMANENT NCAA REGULATION SOCCER GOALS

8' H x 24' W

#2236-02G STEEL - TWO NET SUPPORTS - 8'H x 24'W (852 LBS) PER SET
#2236-02A ALUMINUM - TWO NET SUPPORTS - 8'H x 24'W (516 LBS) PER SET

SPECIFICATIONS:

NCAA soccer goal which provides a 8'H x 24'W front inside opening.
Crossbar and Uprights - a single length of 4" x 4" x 11ga Square steel or aluminum tubing, powder coated white. Crossbar is bolted to uprights.

All hardware is zinc-plated or Stainless Steel for long, rust free service.

Warranty period: 10 years

INSTALLATION:

1. Dig footing holes per detail. Required footing size may vary depending on local building codes
2. Lay Upright/Corner Assemblies parallel on the ground according to width of goal ordered with pipe stubs facing up
3. Assemble crossbar to upright/corner assemblies with 3/8"-16 x 3/4" Button Head Bolts & 3/8" Washers. Use hex key wrench to tighten.
4. Tighten all bolts and set screws, cut and clean any excess threads.
5. Carefully rotate goal into upright position. Lower goal into footing holes, plumb and brace.
6. Brace so crossbar bottom is 8'-0" above finish grade depending on model ordered. Shim from below if needed.
7. Pour concrete to within 2" of finished grade and let set for 3 days.
8. Cover concrete footings with soil/turf, synthetic turf, or any appropriate field surfacing material.



Date: 7/26/2017

Rev: A

Drawn: BDYE

Sheet: 1 of 3

PRODUCT NAME

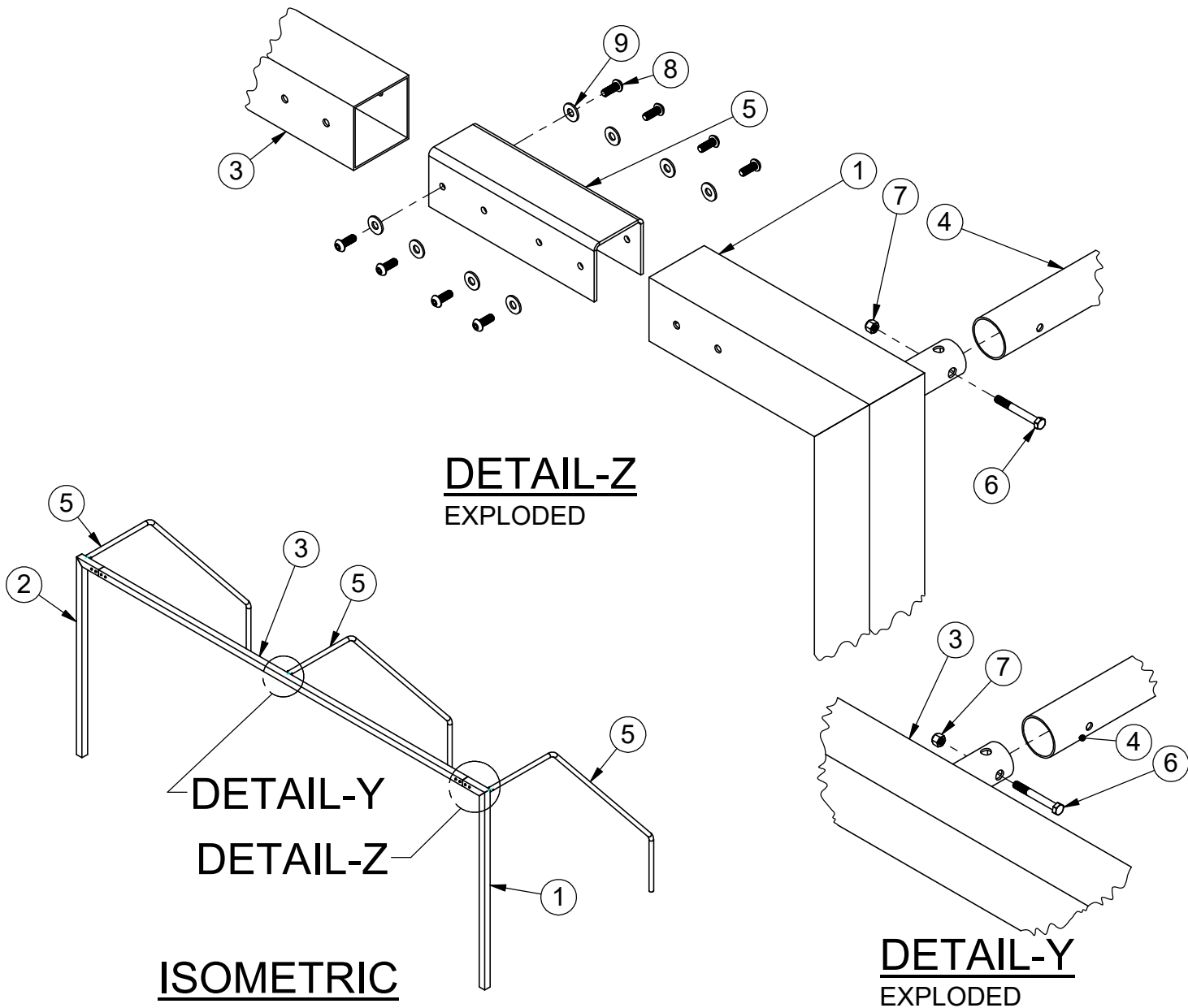
SOCCER GOAL

MODEL NO.

SPEC 2236-02A-02G

BOM PER GOAL

ITEM NO.	PART NUMBER	DESCRIPTION	QTY.
1	SAS-500-2236-00G,01G,02G	RIGHT 4x4 UPRIGHT	1
2	SAS-500-2236-00G,01G,02G	LEFT 4x4 UPRIGHT	1
3	SAS-502-2236-02G	CROSSBAR STUB ASSY	1
4	RT-044-2200-8-PERM	NET SUPPORT TUBE	3
5	PL-045-2200-G	STEEL CHANNEL SLEEVE (4x4)	2
6	HWHB383	3/8"x16 x 3" SS HEX BOLT	3
7	HWLN38	3/8"-16 LOCK NUT	3
8	HWBHSS3834	3/8"-16 x 3/4" BUTTON HEAD BOLT	16
9	HWFLWASS38	3/8" FLAT WASHER	16



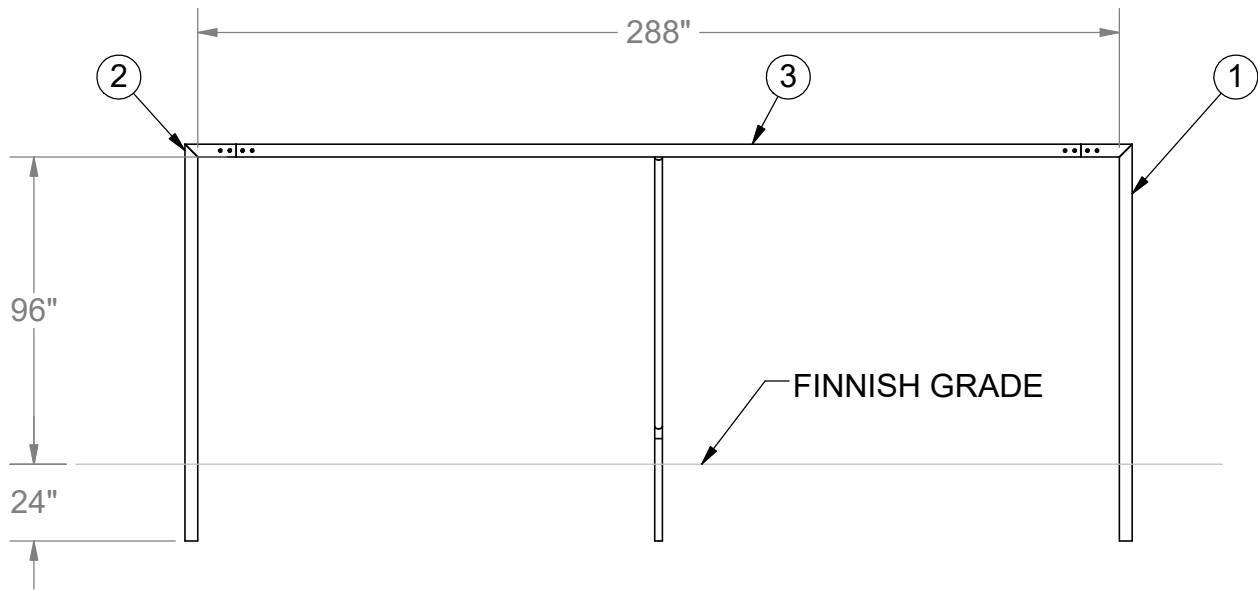
Date: 7/26/2017
 Rev: A
 Drawn: BDYE
 Sheet: 2 of 3

PRODUCT NAME

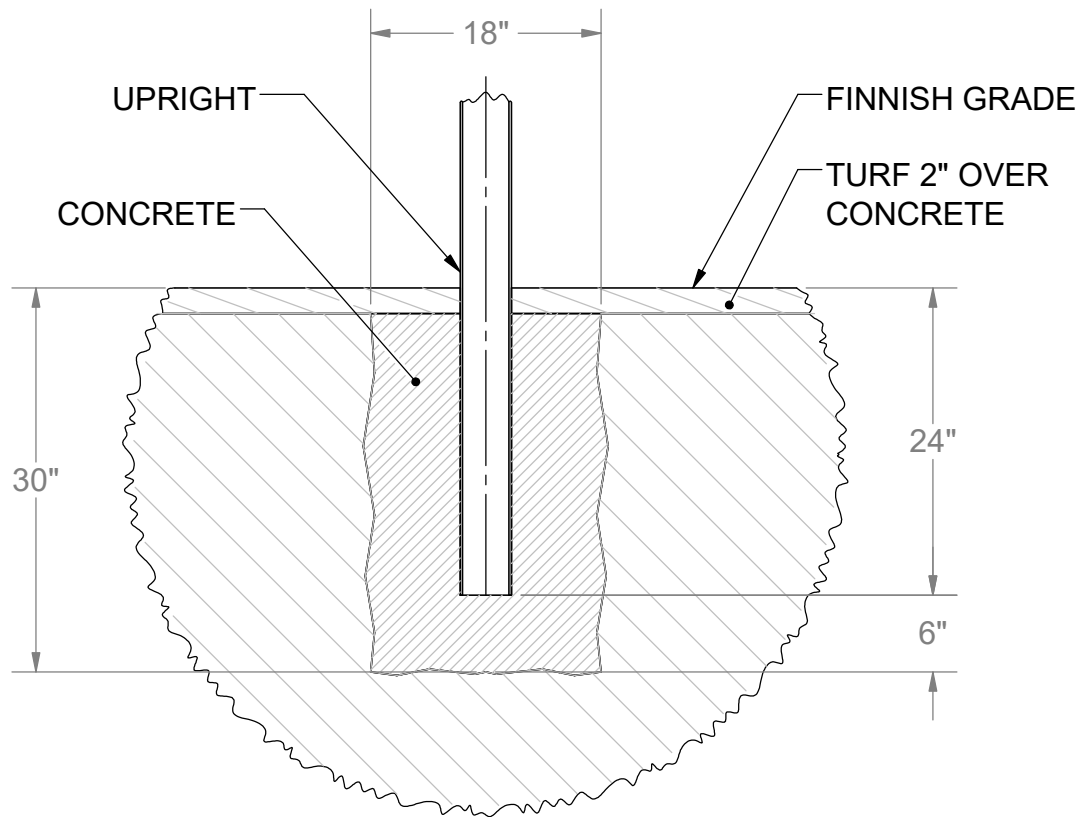
SOCCER GOAL

MODEL NO.

SPEC 2236-02A-02G



FRONT VIEW



FOOTING DETAIL



Date: 7/26/2017

Rev: A

Drawn: BDYE

Sheet: 3 of 3

PRODUCT NAME

SOCCKER GOAL

MODEL NO.

SPEC 2236-02A-02G