

## 2" x 4" PERMANENT NCAA REGULATION SOCCER GOALS

8' H x 24' W

#2238-01G STEEL - NET SUPPORTS - 8'H x 24'W (608 LBS) PER SET

#2238-01A ALUMINUM - NET SUPPORTS - 8'H x 24'W (328 LBS) PER SET

### SPECIFICATIONS:

NCAA soccer goal which provides a 8'H x 24'W front inside opening.

Crossbar and Uprights - a single length of 2" x 4" x 11ga rectangular steel or aluminum tubing, powder coated white. Crossbar is bolted to uprights.

All hardware is zinc-plated or Stainless Steel for long, rust free service.

Warranty period: 10 years

### INSTALLATION:

1. Dig footing holes per detail. Required footing size may vary depending on local building codes
2. Lay Upright/Corner Assemblies parallel on the ground according to width of goal ordered with pipe stubs facing up
3. Assemble crossbar to upright/corner assemblies with 3/8"-16 x 3/4" Button Head Bolts & 3/8" Washers. Use hex key wrench to tighten.
4. Tighten all bolts and set screws, cut and clean any excess threads.
5. Carefully rotate goal into upright position. Lower goal into footing holes, plumb and brace.
6. Brace so crossbar bottom is 8'-0" above finish grade depending on model ordered. Shim from below if needed.
7. Pour concrete to within 2" of finished grade and let set for 3 days.
8. Cover concrete footings with soil/turf, synthetic turf, or any appropriate field surfacing material.



Date: 7/26/2017

Rev: A

Drawn: BDYE

Sheet: 1 of 3

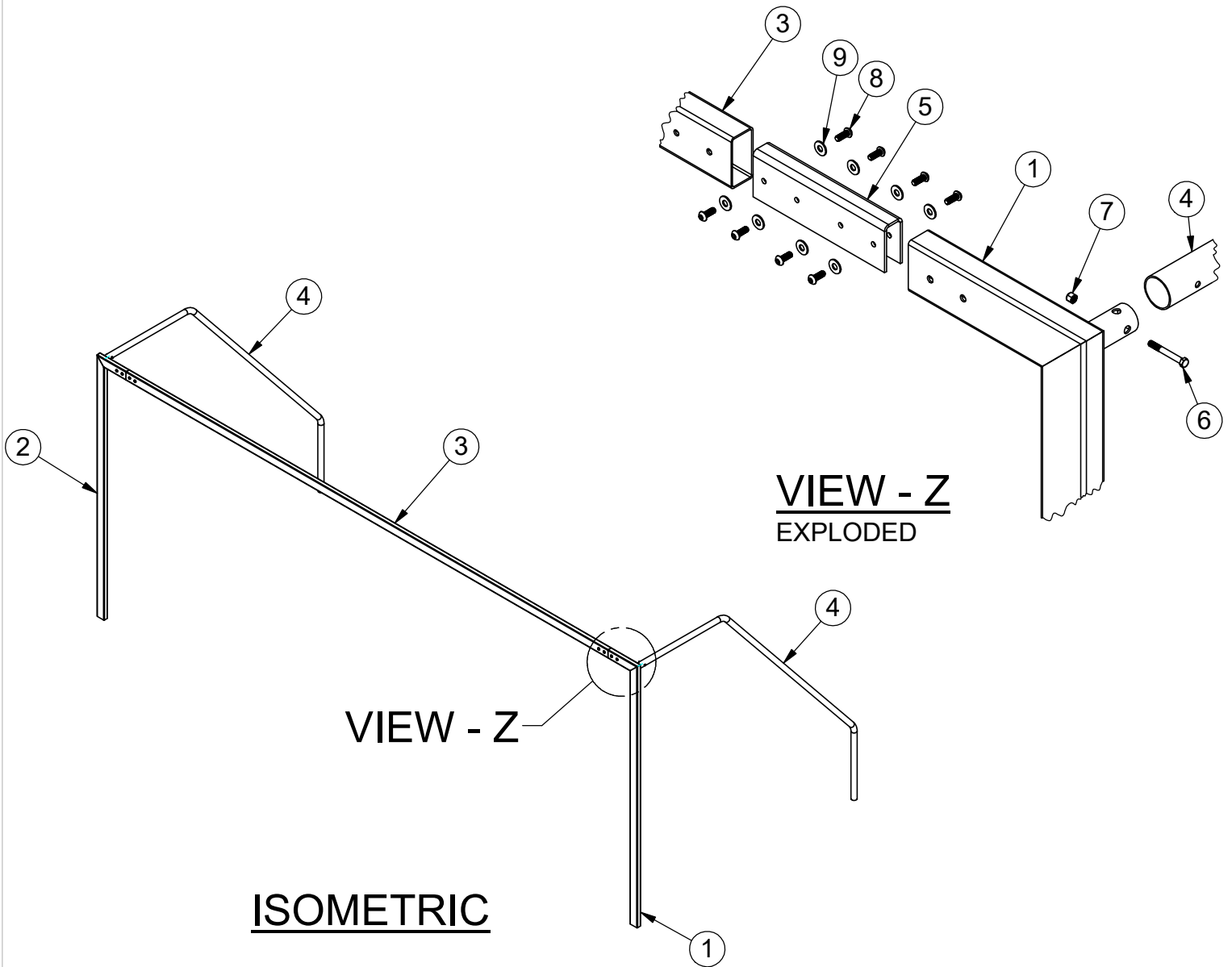
PRODUCT NAME

**SOCCER GOAL**

MODEL NO.

**SPEC 2238-01A-01G**

ITEM NO.	PART NUMBER	DESCRIPTION	QTY.
1	SAS-509-2238-39-A	RIGHT UPRIGHT	1
2	SAS-509-2238-39-A	LEFT UPRIGHT	1
3	RCT-024-2238-39-A	2X4 RECTANGLE TUBE (CROSSBAR)	1
4	RT-044-2200-8-PER	NET SUPPORT TUBE	2
5	PL-045-2238-39-S-PC	STEEL CHANNEL SLEEVE (2X4)	2
6	HWHB383	3/8"X16 X 3" SS HEX BOLT	2
7	HWLN38	3/8"-16 LOCK NUT	2
8	HWBHSS3834	3/8"-16 X 3/4" BUTTON HEAD BOLT	16
9	HWFLWASS38	3/8" FLAT WASHER	16



Date: 7/26/2017

Rev: A

Drawn: BDYE

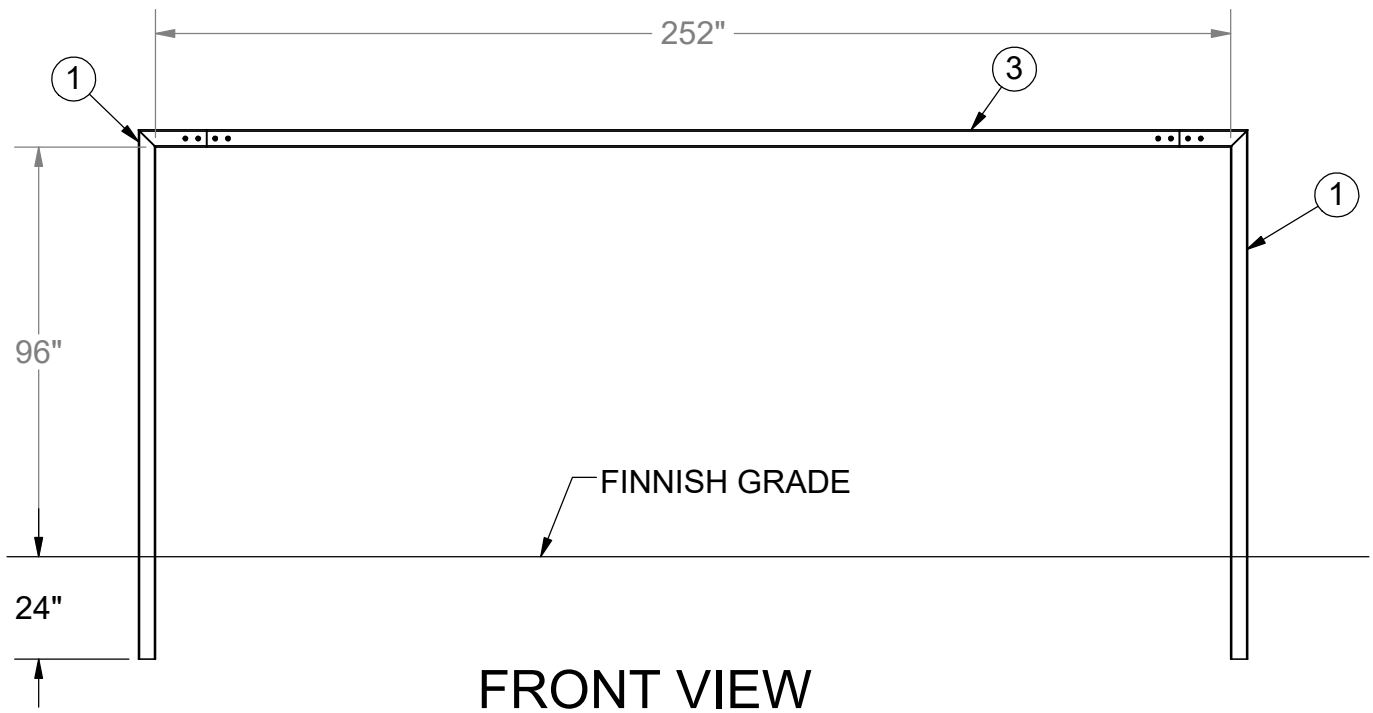
Sheet: 2 of 3

PRODUCT NAME

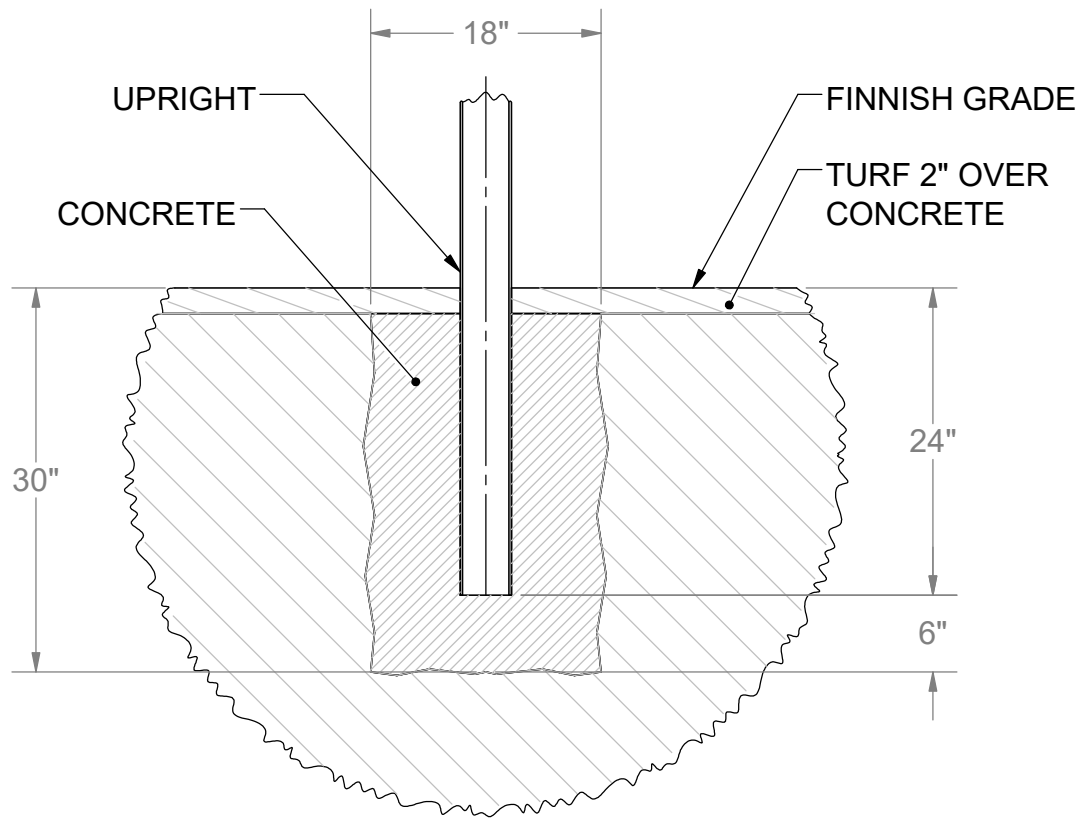
**SOCCER GOAL**

MODEL NO.

**SPEC 2238-01A-01G**



**FRONT VIEW**



**FOOTING DETAIL**



Date: 7/26/2017  
 Rev: A  
 Drawn: BDYE  
 Sheet: 3 of 3

**PRODUCT NAME**  
**SOCCER GOAL**

**MODEL NO.**  
**SPEC 2238-01A-01G**