

2" x 4" PERMANENT NCAA REGULATION SOCCER GOALS

6'6"H x 18"W

#2238-18G STEEL - NO NET SUPPORTS - 6'6"H x 18"W (266 LBS) PER SET

#2238-18A ALUMINUM - NO NET SUPPORTS - 6'6"H x 18"W (142 LBS) PER SET

SPECIFICATIONS:

NCAA soccer goal which provides a 6'6"H x 18"W front inside opening.

Crossbar and Uprights - a single length of 2" x 4" x 11ga rectangular steel or aluminum tubing, powder coated white. Crossbar is bolted to uprights.

All hardware is zinc-plated for long, rust free service.

Warranty period: 10 years

INSTALLATION:

1. Dig footing holes per detail. Required footing size may vary depending on local building codes
2. Lay Upright/Corner Assemblies parallel on the ground according to width of goal ordered with pipe stubs facing up
3. Assemble crossbar to upright/corner assemblies with 3/8"-16 x 3/4" Button Head Bolts & 3/8" Washers. Use hex key wrench to tighten.
4. Tighten all bolts and set screws, cut and clean any excess threads.
5. Carefully rotate goal into upright position. Lower goal into footing holes, plumb and brace.
6. Brace so crossbar bottom is 6'6" above finish grade depending on model ordered. Shim from below if needed.
7. Pour concrete to within 2" of finished grade and let set for 3 days.
8. Cover concrete footings with soil/turf, synthetic turf, or any appropriate field surfacing material.



Date: 7/26/2017

Rev: A

Drawn: BDYE

Sheet: 1 of 3

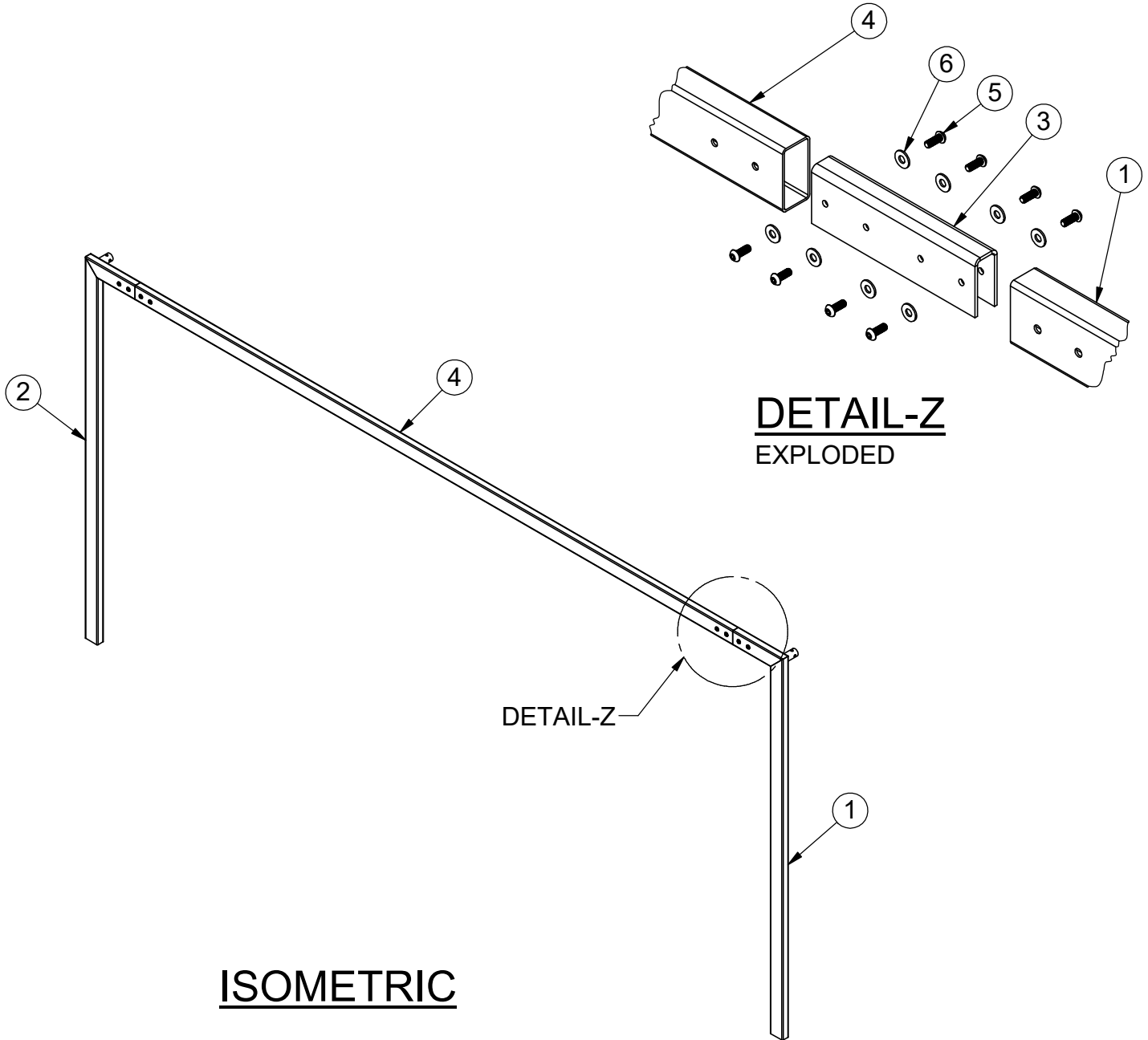
PRODUCT NAME

SOCCER GOAL

MODEL NO.

SPEC 2238-18A-18G

ITEM NO.	PART NUMBER	DESCRIPTION	QTY.
1	SAS-513-2238-6.6-12A,13A,18A,19A	RIGHT UPRIGHT	1
2	SAS-513-2238-6.6-12A,13A,18A,19A	LEFT UPRIGHT	1
3	PL-045-2238-39-S-PC	STEEL CHANNEL SLEEVE (2x4)	2
4	RCT-023-2238-39-G	2x4 RECTANGLE TUBE (CROSS BAR)	1
5	HWBHSS3834	3/8"-16 x 3/4" BUTTON HEAD BOLT	16
6	HWFLWASS38	3/8" Flat Washer	16



Date: 7/26/2017

Rev: A

Drawn: BDYE

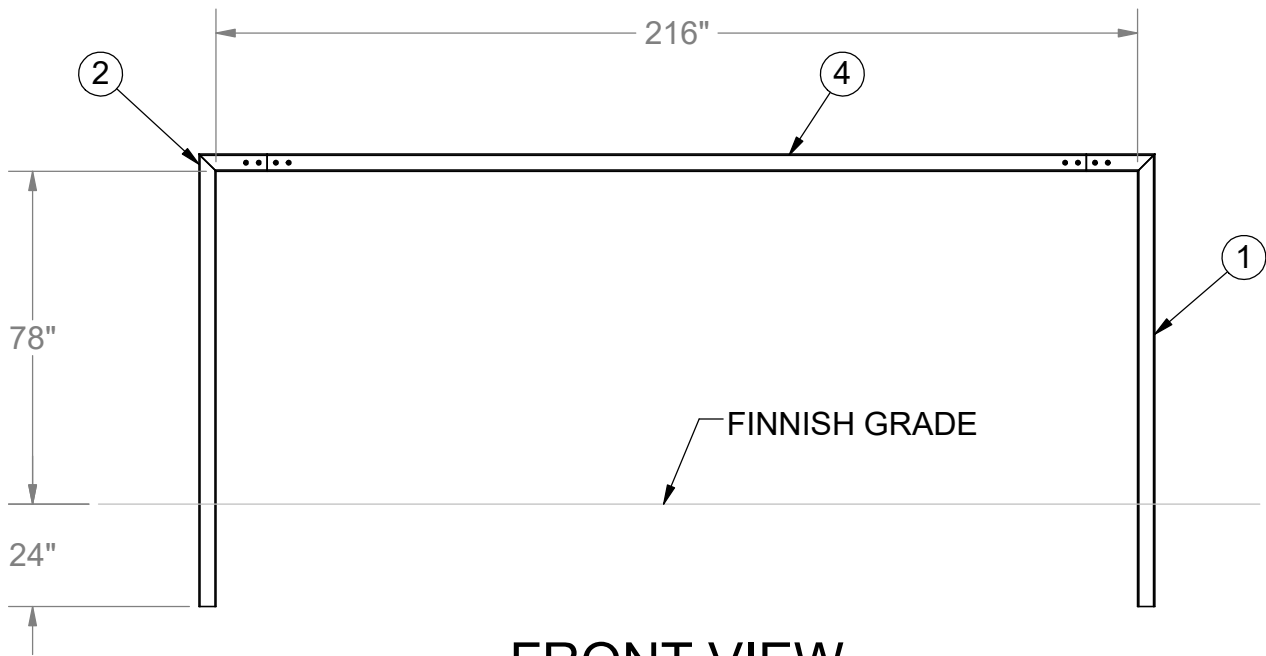
Sheet: 2 of 3

PRODUCT NAME

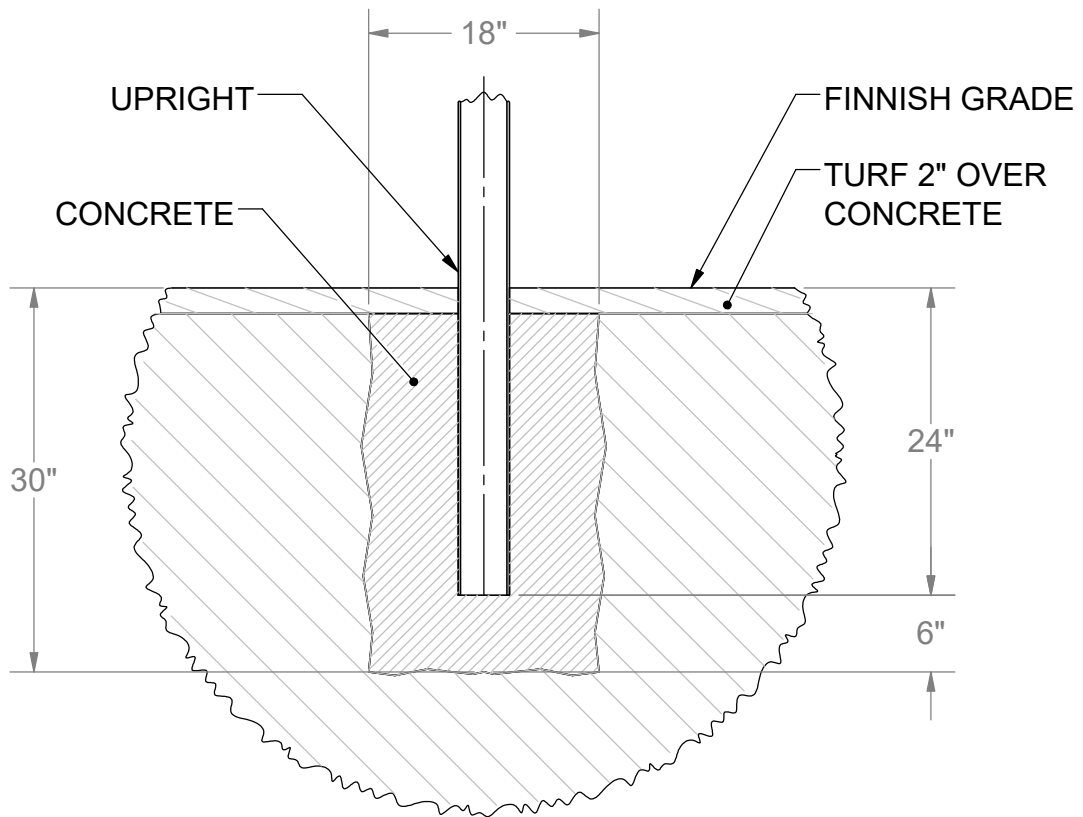
SOCCKER GOAL

MODEL NO.

SPEC 2238-18A-18G



FRONT VIEW



FOOTING DETAIL



Date: 7/26/2017

Rev: A

Drawn: BDYE

Sheet: 3 of 3

PRODUCT NAME

SOCCER GOAL

MODEL NO.

SPEC 2238-18A-18G