

## 2" x 4" PORTABLE NCAA REGULATION SOCCER GOALS

4'2"H x 6' W

#2239-06G STEEL - WITH END FRAMES - 4'2"H x 6' W (392 LBS) PER SET

#2239-06A ALUMINUM - WITH END FRAMES - 4'2"H x 6' W (294 LBS) PER SET

### SPECIFICATIONS:

NCAA soccer goal which provides a 4'2"H x 6' W front inside opening.

Crossbar and Uprights - a single length of 2" x 4" x 11ga rectangular steel or aluminum tubing, powder coated white. Crossbar is bolted to uprights.

All hardware is zinc-plated or Stainless Steel for long, rust free service.

Warranty period: 10 years

### INSTALLATION:

1. Lay Upright/Corner Assemblies 6' apart parallel to each other on the ground with drilled pipe stubs facing up
2. Assemble crossbar to upright/corner assemblies with 3/8"-16 x 3/4" Button Head Bolts
3. Sleeve a T-fitting onto the net support on the long leg of the support (bottom). Make sure set screws will face up.
4. Insert net supports over 2" O.D. drilled inner sleeve stubs on corner assembly units
5. Align holes provided and attach with 3/8" x 3" hex head bolts
6. Attach spreader pipe between net supports. Insert spreader pipe into T-fittings and align holes, bolt through with 3/8" x 3-1/2" hex head bolts and tighten. NOTE: Position spreader pipe as far back on long leg as possible and tighten 3/8" set screws with hex key
7. Tighten all bolts and set screws, cut and peen any excess threads
8. Carefully rotate goal into upright position. Repeat steps for other goal
9. Bolt Adjustable Wheel Bracket & Pneumatic Wheels in friction drill hole locations

### ANCHORING SYSTEM (AUGER ANCHOR)

1. Connect chain to portable goal. Connect opposite end to auger. Pull chain tight then stick auger in ground surface at an slight angle away from goal. (See Page 5, Auger Picture) Twist auger all the way in-ground so the top hook/chain are slightly exposed.

### NOTE:

Footing sizes are based on average soil conditions. Loose and/or sandy soil is not average and footing sizes must be increased according to local soil conditions. See local building codes.



Date: 7/26/2017

Rev: A

Drawn: BDYE

Sheet: 1 of 5

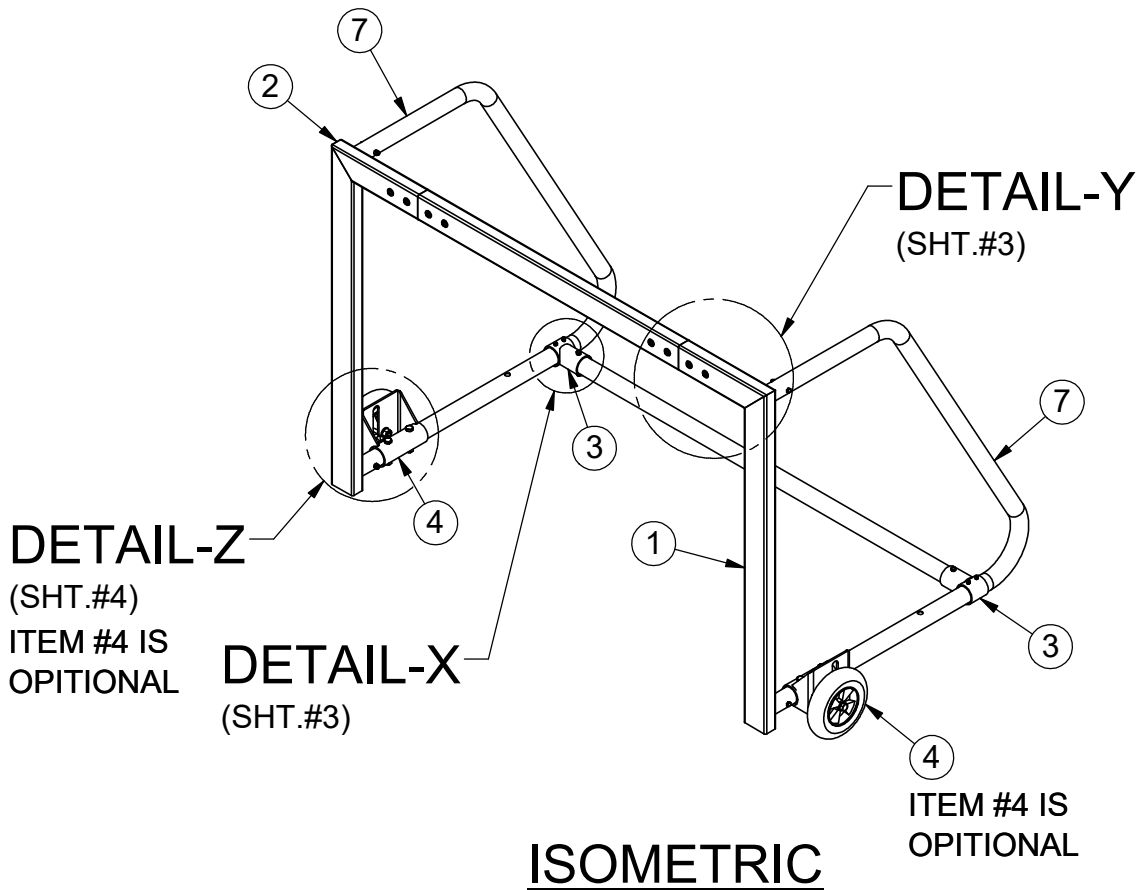
PRODUCT NAME

**SOCCER GOAL**

MODEL NO.

**SPEC 2239-06A-06G**

ITEM NO.	PART NUMBER	DESCRIPTION	QTY.
1	SAS-502-2239-4-G	RIGHT UPRIGHT	1
2	SAS-502-2239-4-G	LEFT UPRIGHT	1
3	SAS-501-2200-G	2 7/8"x 3 1/6" WALL TEE FITTING	2
4	SAS-516-2200-8341	TRANSPORT SYSTEM ASSY	2
5	PL-045-2238-39-S-PC	STEEL CHANNEL SLEEVE (2x4)	2
6	RCT-023-2238-39-G	2x4 RECTANGLE TUBE (CROSS BAR)	1
7	RT-001-2200-06G-4	NET SUPPORT TUBE	2
8	RT-037-2200-72G	SPREADER PIPE	1
9	HWHB38312	3/8-16 X 3 1/2 GR5 HEX BOLT ZINC	2
10	HWSC3838	3/8"-16 x 5/8" SET SCREW	4
11	HWLN38	3/8"-16 LOCK NUT	6
12	HWHB383	3/8"x16 x 3" SS HEX BOLT	4
13	HWFLWASS38	3/8" Flat Washer	16
14	HWBHSS3834	3/8"-16 x 3/4" BUTTON HEAD BOLT	16
15	HWHB12312	1/2-13x3.5 GR5 C/S ZINC HEX BOLT	4
16	HWLN12	1/2-13 NYLOK INSERT LOCKNUT ZINC (1500)	4



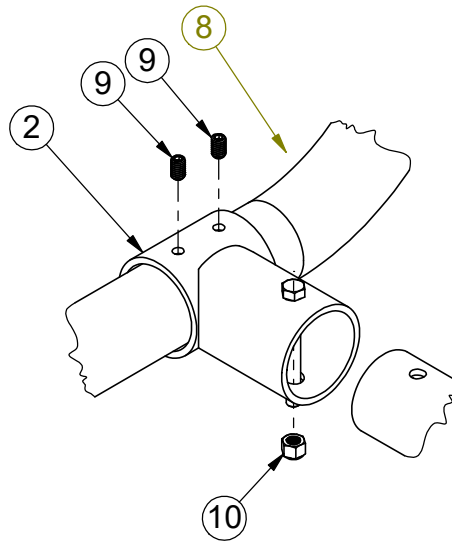
Date: 7/26/2017  
 Rev: A  
 Drawn: BDYE  
 Sheet: 2 of 5

**PRODUCT NAME**

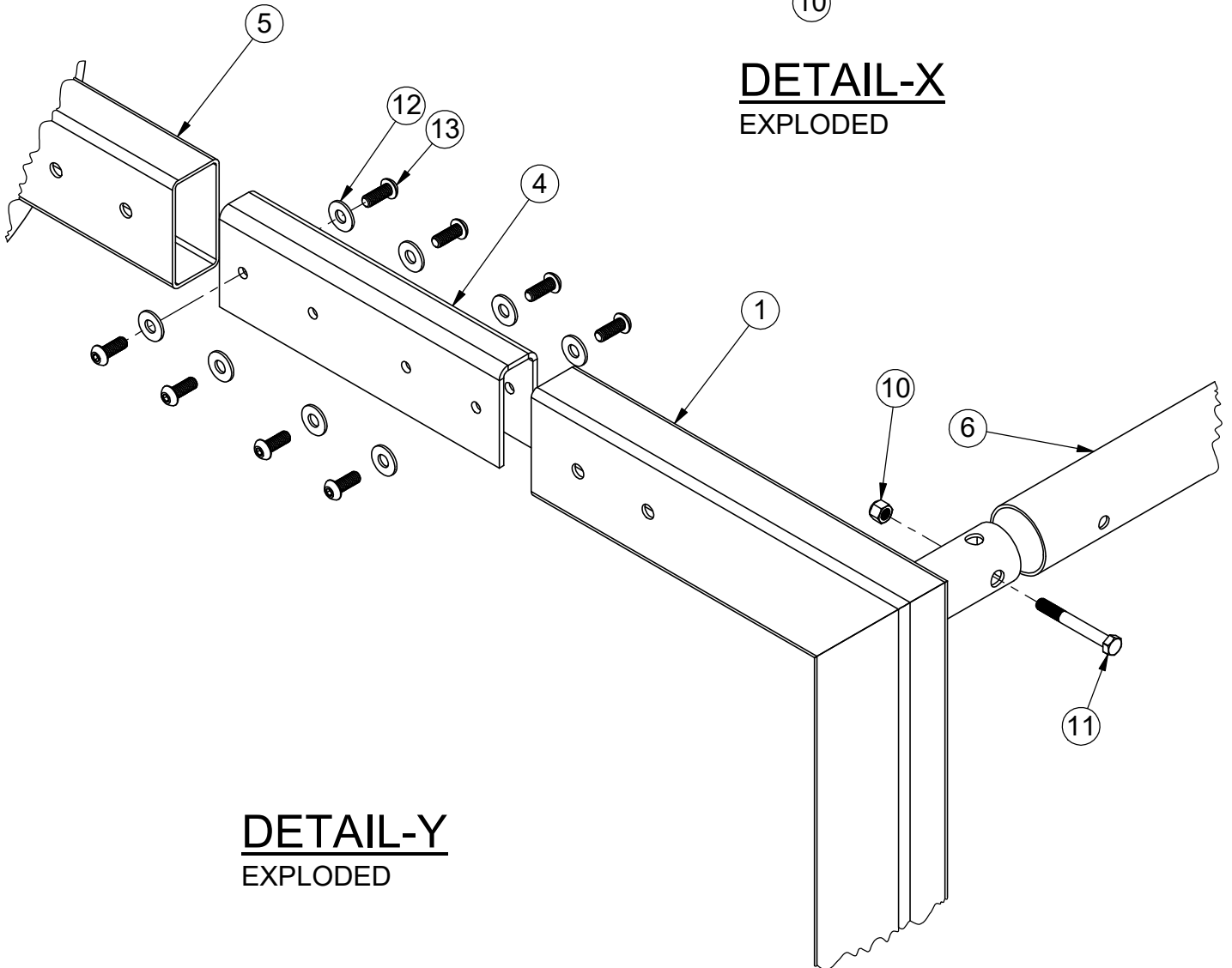
**SOCCER GOAL**

**MODEL NO.**

**SPEC 2239-06A-06G**



**DETAIL-X**  
EXPLODED



**DETAIL-Y**  
EXPLODED



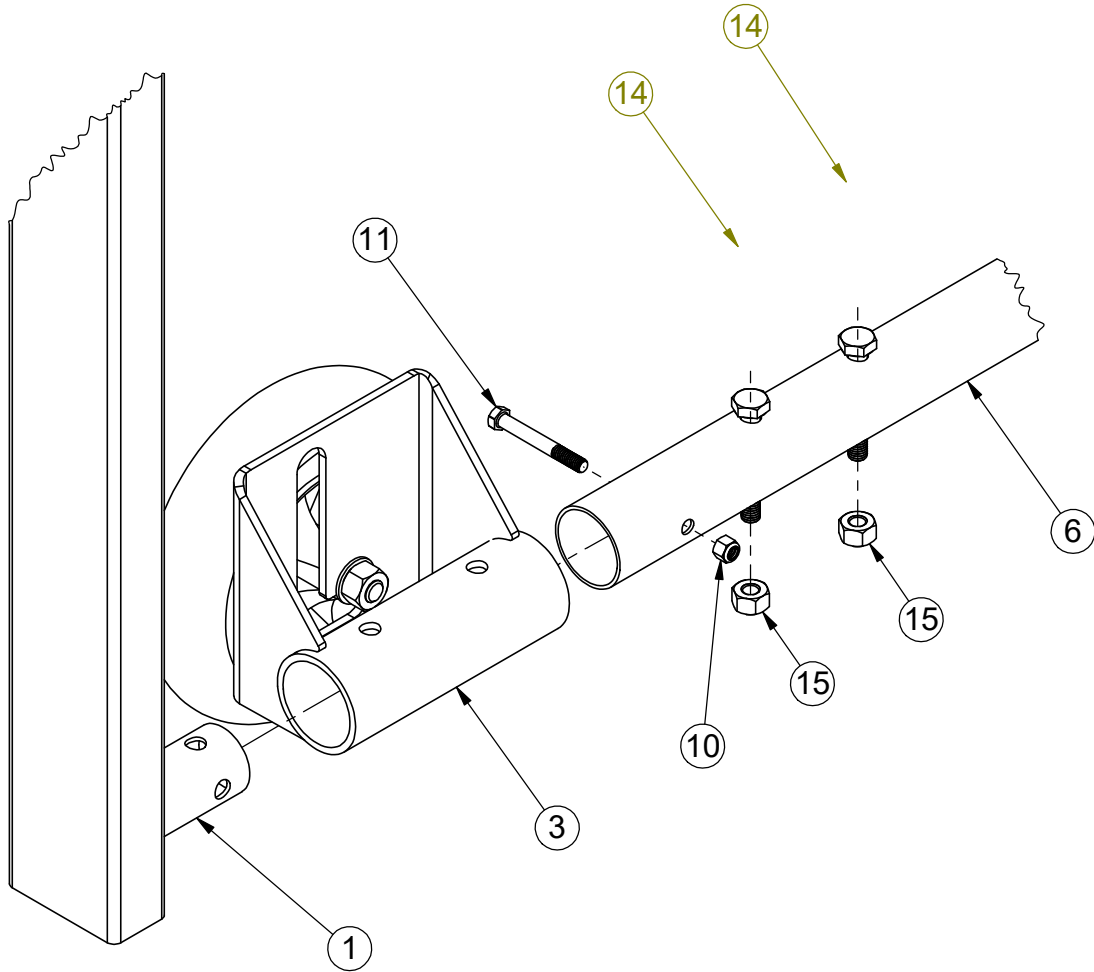
Date: 7/26/2017  
 Rev: A  
 Drawn: BDYE  
 Sheet: 3 of 5

**PRODUCT NAME**

**SOCCER GOAL**

**MODEL NO.**

**SPEC 2239-06A-06G**



**DETAIL-Z**  
EXPLODED



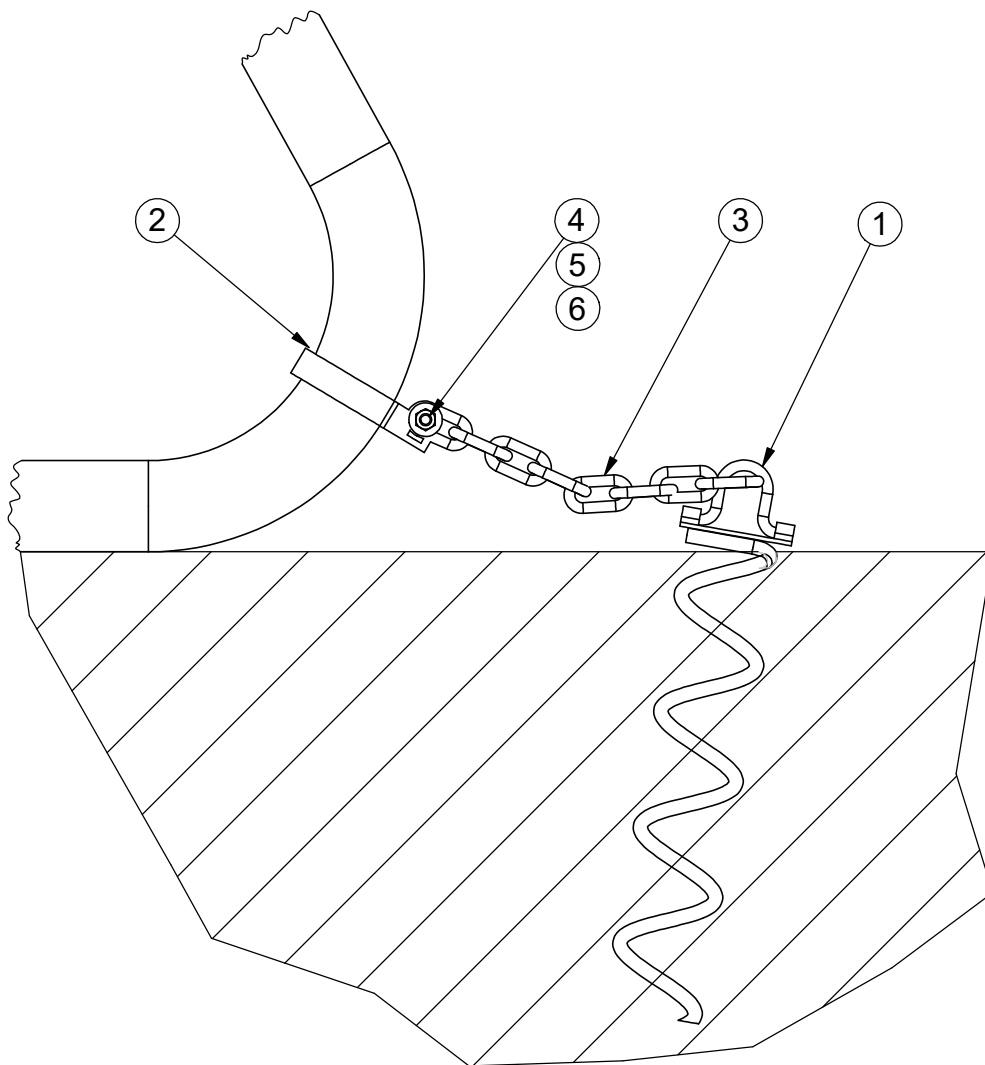
Date: 7/26/2017  
 Rev: A  
 Drawn: BDYE  
 Sheet: 4 of 5

**PRODUCT NAME**  
**SOCCER GOAL**

**MODEL NO.**  
**SPEC 2239-06A-06G**

BOM

ITEM NO.	PART NUMBER	DESCRIPTION	QTY.
1	PI-001-8347-S	AUGER	4
2	VCIBB238	2 3/8" BRACE BAND	4
3	HWCHAIN316	24" CHAIN	4
4	HWCB5161	5/16"x 1" CARRIAGE BOLT	4
5	HWFLWA516	5/16" FLAT WASHER	4
6	HWLN516	5/16" NYLOCK NUT	4



**SIDE VIEW**



Date: 7/26/2017  
 Rev: A  
 Drawn: BDYE  
 Sheet: 5 of 5

**PRODUCT NAME**

**SOCCER GOAL**

**MODEL NO.**

**SPEC 2239-06A-06G**