

2" x 4" PORTABLE NCAA REGULATION SOCCER GOALS

6'6" H x 12' W

#2239-12G STEEL - WITH END FRAMES - 6'6" H x 12' W (520 LBS) PER SET
#2239-12A ALUMINUM - WITH END FRAMES - 6'6" H x 12' W (356 LBS) PER SET

SPECIFICATIONS:

NCAA soccer goal which provides a 6'6" H x 12' W front inside opening.

Crossbar and Uprights - a single length of 2" x 4" x 11ga rectangular steel or aluminum tubing, powder coated white. Crossbar is bolted to uprights.

All hardware is zinc-plated or Stainless Steel for long, rust free service.

Warranty period: 10 years

INSTALLATION:

1. Lay Upright/Corner Assemblies 12' apart parallel to each other on the ground with drilled pipe stubs facing up
2. Assemble crossbar to upright/corner assemblies with 3/8"-16 x 3/4" Button Head Bolts
3. Sleeve a T-fitting onto the net support on the long leg of the support (bottom). Make sure set screws will face up.
4. Insert net supports over 2" O.D. drilled inner sleeve stubs on corner assembly units
5. Align holes provided and attach with 3/8" x 3" hex head bolts
6. Attach spreader pipe between net supports. Insert spreader pipe into T-fittings and align holes, bolt through with 3/8" x 3-1/2" hex head bolts and tighten. NOTE: Position spreader pipe as far back on long leg as possible and tighten 3/8" set screws with hex key
7. Tighten all bolts and set screws, cut and peen any excess threads
8. Carefully rotate goal into upright position. Repeat steps for other goal
9. Bolt Adjustable Wheel Bracket & Pnuematic Wheels in friction drill hole locations

ANCHORING SYSTEM (AUGER ANCHOR)

1. Connect chain to portable goal. Connect opposite end to auger. Pull chain tight then stick auger in ground surface at an slight angle away from goal. (See Page 5, Auger Picture) Twist auger all the way in-ground so the top hook/chain are slightly exposed.

NOTE:

Footing sizes are based on average soil conditions. Loose and/or sandy soil is not average and footing sizes must be increased according to local soil conditions. See local building codes.



Date: 7/26/2017

Rev: A

Drawn: BDYE

Sheet: 1 of 5

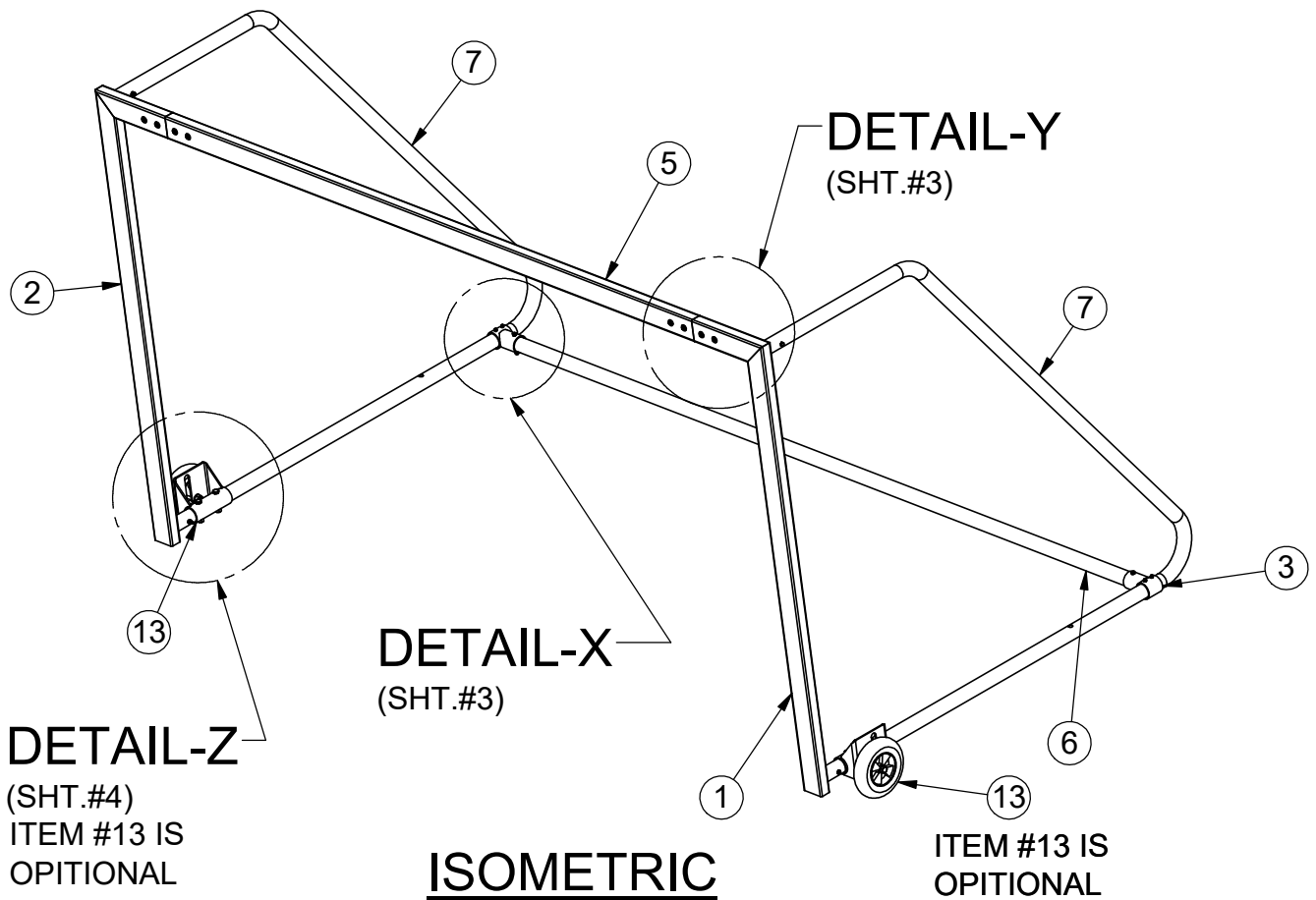
PRODUCT NAME

SOCCER GOAL

MODEL NO.

SPEC 2239-12A-12G

ITEM NO.	PART NUMBER	DESCRIPTION	QTY.
1	SAS-502-2238-39-G	RIGHT UPRIGHT	1
2	SAS-502-2238-39-G	LEFT UPRIGHT	1
3	SAS-501-2200-G	2 7/8"x 3/16" WALL TEE FITTING	2
4	PL-045-2238-39-S-PC	STEEL CHANNEL SLEEVE (2x4)	2
5	RCT-024-2238-39-12G,13G-12	2x4 RECTANGLE TUBE (CROSS BAR)	1
6	RT-038-2200-144G	SPREADER PIPE	1
7	RT-002-2200-12G,18G-6.6	NET SUPPORT TUBE	2
8	HWHB38312	3/8-16 X 3 1/2 GR5 HEX BOLT ZINC	2
9	HWLN38	3/8"-16 LOCK NUT	6
10	HWHB383	3/8"x16 x 3" SS HEX BOLT	4
11	HWFLWASS38	3/8" Flat Washer	16
12	HWBHSS3834	3/8"-16 x 3/4" BUTTON HEAD BOLT	16
13	SAS-516-2200-8341	TRANSPORT SYSTEM ASSY	2
14	HWHB12312	1/2-13x3.5 GR5 C/S ZINC HEX BOLT	4
15	HWLN12	1/2-13 NYLOK INSERT LOCKNUT ZINC (1500)	4
16	HWSC3838	3/8"-16 x 5/8" SET SCREW	4



Date: 7/26/2017

Rev: A

Drawn: BDYE

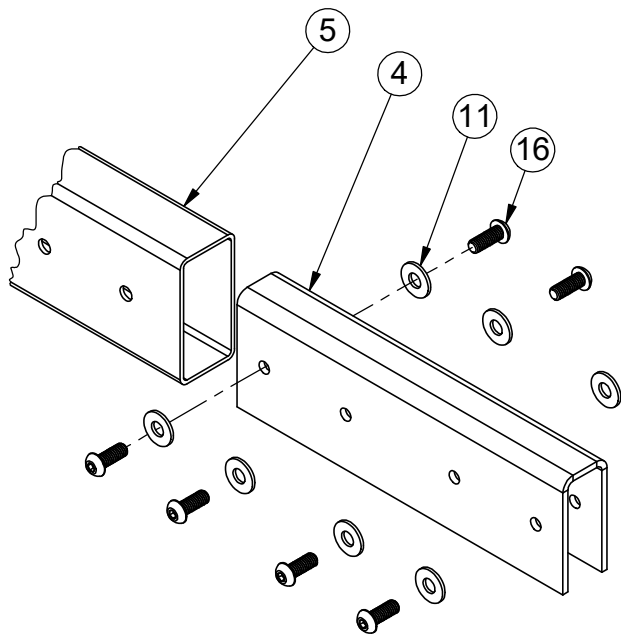
Sheet: 2 of 5

PRODUCT NAME

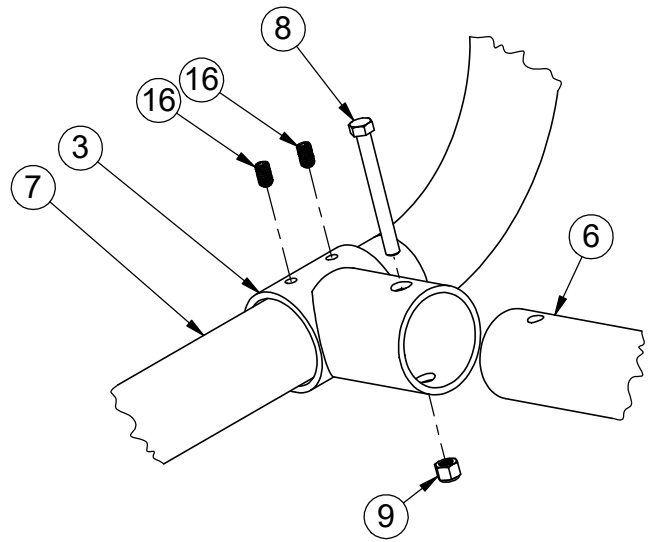
SOCCER GOAL

MODEL NO.

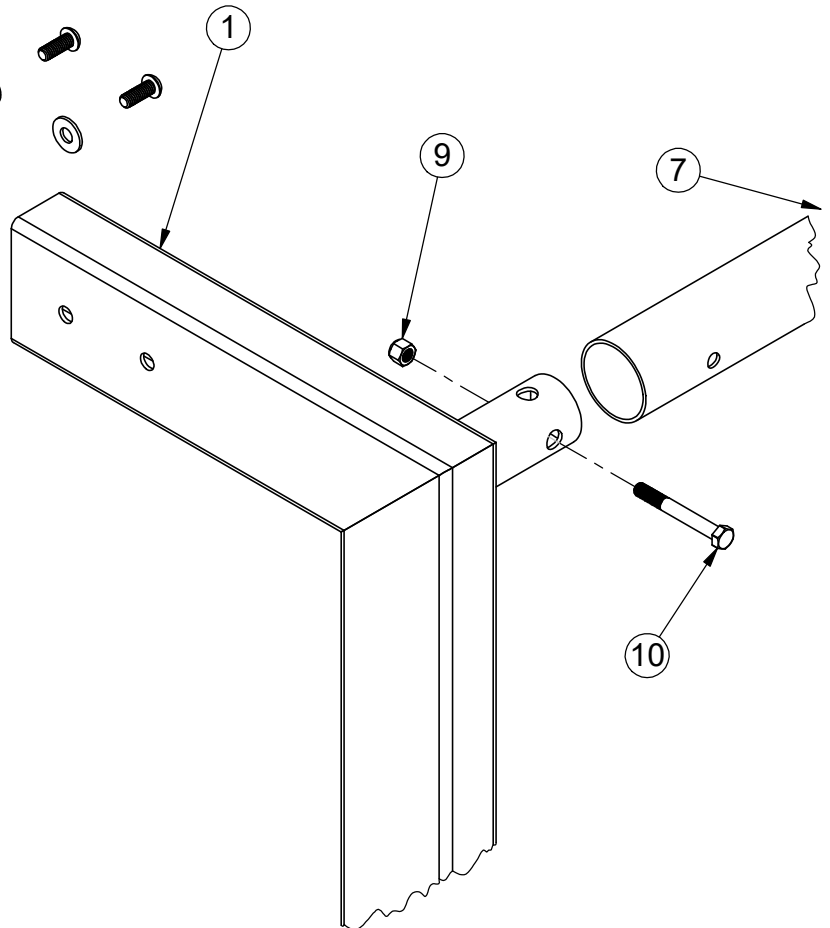
SPEC 2239-12A-12G



DETAIL-Y
EXPLODED



DETAIL-X
EXPLODED



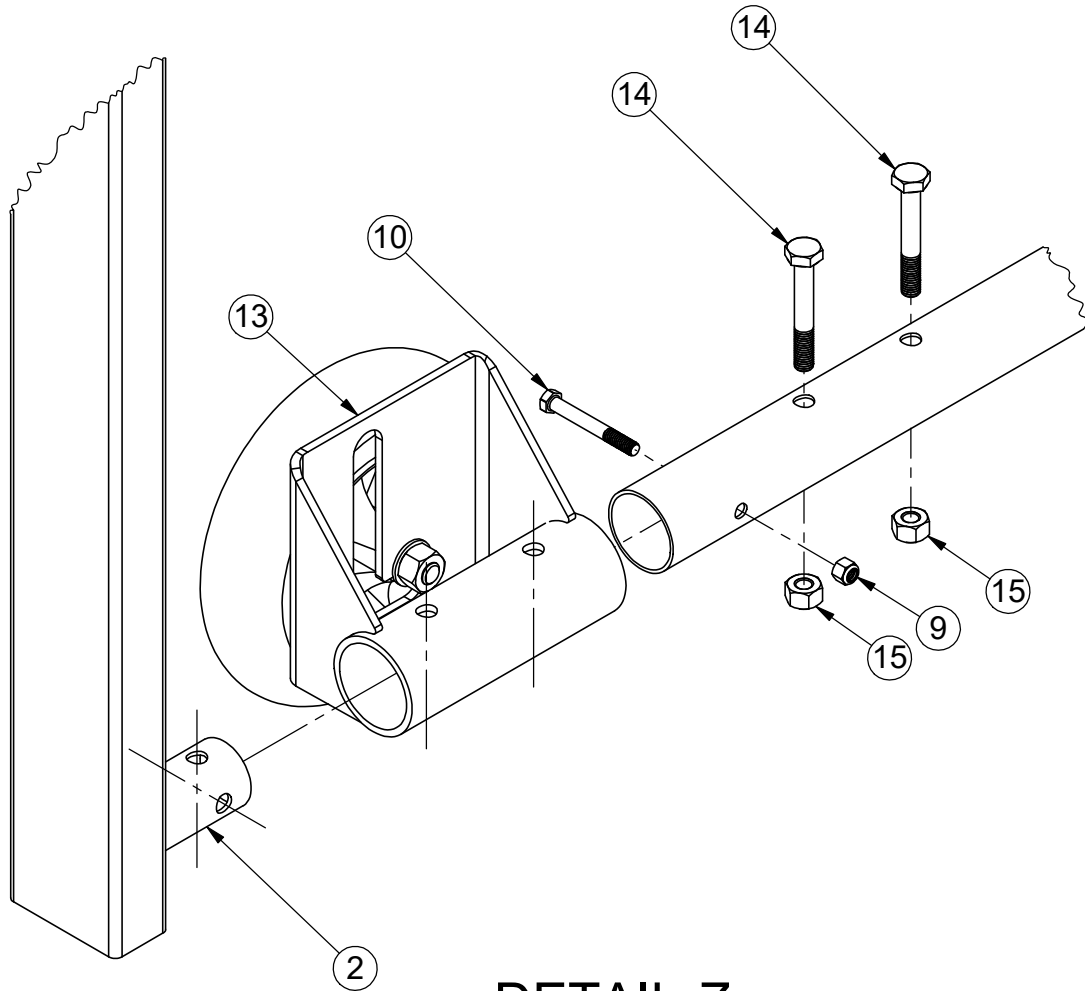
Date: 7/26/2017
 Rev: A
 Drawn: BDYE
 Sheet: 3 of 5

PRODUCT NAME

SOCCER GOAL

MODEL NO.

SPEC 2239-12A-12G



DETAIL-Z
EXPLODED



Date: 7/26/2017

Rev: A

Drawn: BDYE

Sheet: 4 of 5

PRODUCT NAME

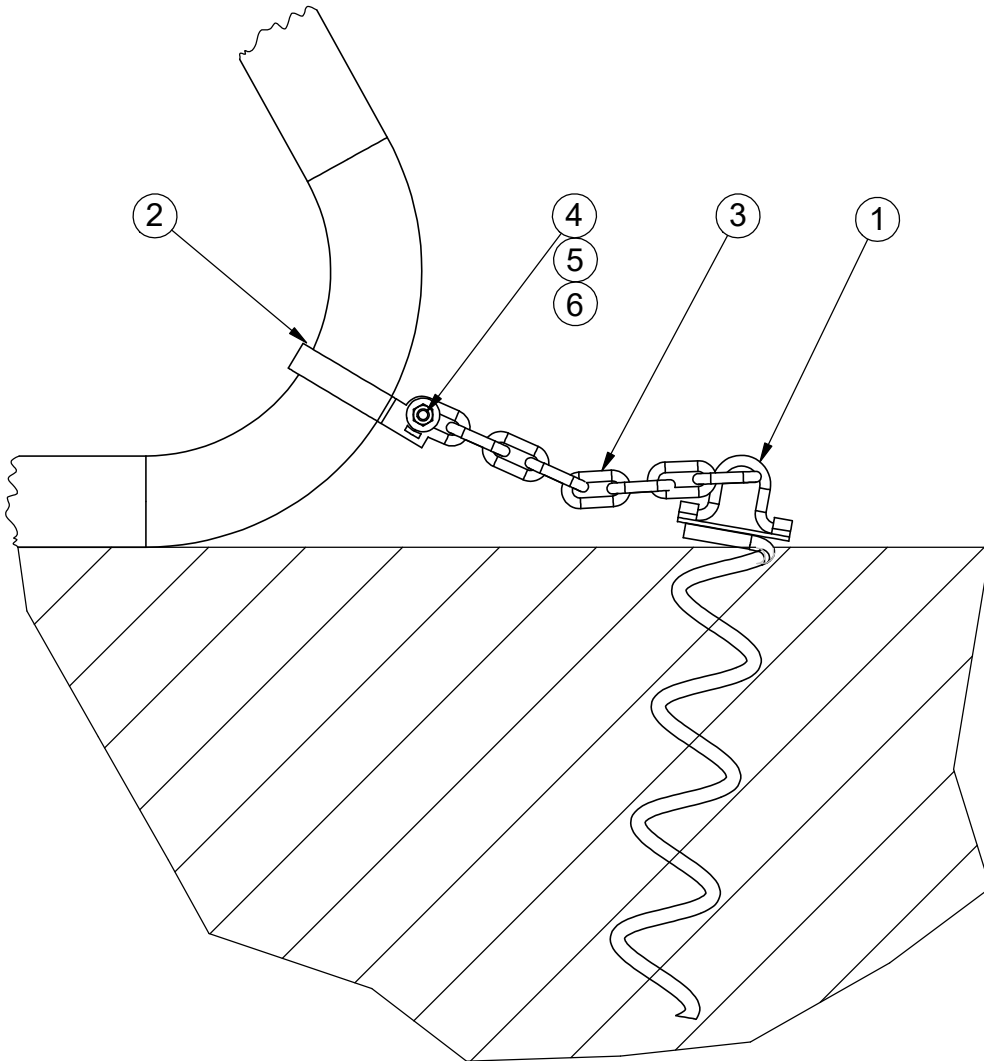
SOCCER GOAL

MODEL NO.

SPEC 2239-12A-12G

BOM PER 2 GOALS

ITEM NO.	PART NUMBER	DESCRIPTION	QTY.
1	PI-001-8347-S	AUGER	4
2	VCIBB238	2 3/8" BRACE BAND	4
3	HWCHAIN316	24" CHAIN	4
4	HWCB5161	5/16"x 1" CARRIAGE BOLT	4
5	HWFLWA516	5/16" FLAT WASHER	4
6	HWLN516	5/16" NYLOCK NUT	4



SIDE VIEW



Date: 7/26/2017

Rev: A

Drawn: BDYE

Sheet: 5 of 5

PRODUCT NAME

SOCCER GOAL

MODEL NO.

SPEC 2239-12A-12G