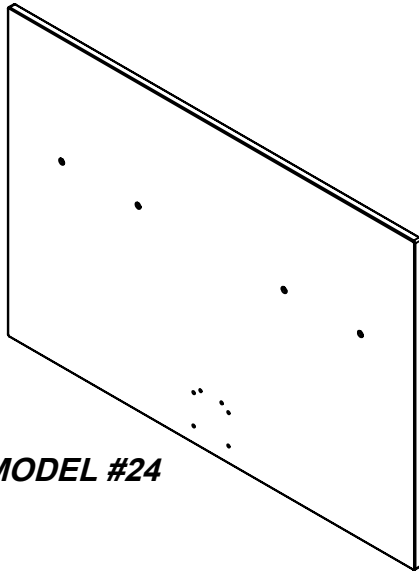


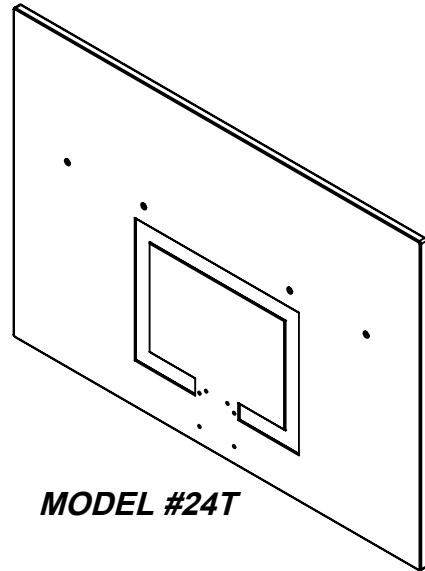
BASKETBALL BACKBOARD

MODEL #24 HEAVY DUTY 1" SOLID WHITE POLYETHYLENE RECTANGLE (90lbs)

MODEL #24T HEAVY DUTY 1" SOLID WHITE POLYETHYLENE RECTANGLE (90lbs)
W/ SOLID POLY TARGET



MODEL #24



MODEL #24T

(Std. P.W. mounting hole pattern on both boards)

For installation of backboards to PW Athletic posts ONLY. For other manufacturers post & backboards please consult installation instructions provided by that manufacturer.

SPECIFICATIONS:

GENERAL: These heavy-duty backboards are designed for outdoor use. Backboards are available in fan-shaped or rectangular-shaped boards.

MATERIALS: *Poly Rectangle: Model 24 is made of 1" thick, white, high-density, UV stabilized polyethylene. A 2" x 2" x 48" angle stiffener is provided for the back of the board with welded attachment angles for diagonal brace installation and is powder coated white after fabrication.

Caution: Flat washers must be used behind plate when mounting backboard.

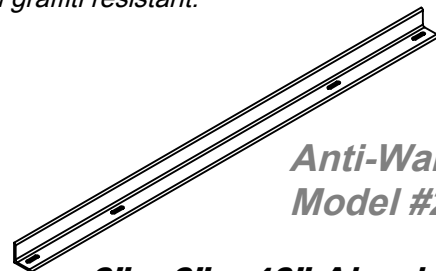
WARRANTY PERIOD: Limited Lifetime Warranty.

*These backboards have been redesigned with a 6-hole pattern to allow changing the goals without removing the backboard.

NOTE: These two holes are used for attaching the backboard to the mounting plate and are only used to aid in installation. Always use the goal ring holes to secure the backboard to the mounting plate.

*Shooters square machined into face of board to provide a permanent target. This board is an incredibly durable Polyethylene Plastic that withstands extreme weather conditions. Won't rot, warp, or decay from moisture or ultraviolet rays, and is virtually indestructible and graffiti resistant.

DESCRIPTION	QTY
3/8-16 x 2" Flat Head Socket Cap Screw	6
3/8 x 2" GR 5 Hex Bolt	4
3/8 USS Flat Washer Zinc	14
3/8-16 Insert Nylock Zinc	10
7/32 Short Arm Hex Key	1



**Anti-Warp for
Model #24 & 24T**

**2" x 2" x 48" Aluminum
Anti-Warp Angle**



Date: 4/8/15
Rev: 11/17/16
Drawn: MT
Sheet: 1 of 3

SPECIFICATION / INSTALLATION INSTRUCTIONS

POLYETHYLENE RECTANGLE
BASKETBALL BACKBOARD

MODEL NO.

#24 & #24T

BASKETBALL BACKBOARD

Determine the mode of backboard ordered.

Model #24 backboard are equipped with a 6-hole mounting pattern.

These boards require the use of the two countersunk holes on the face of each board.

NOTE: These two holes are used for attaching the backboard to the mounting plate and are only used to aid in installation.

Always use the goal ring holes to secure the backboard to the mounting plate.

1. Align holes with mounting plate and attach with 3/8" x 2" Flat Head Bolt.

NOTE: The bolt will seat in the counterbore hole on face of backboard.

2. Secure with 3/8" flat washers and nuts.

3. Align the goal ring with the other four holes on the mounting plate and secure with hardware provided.

4. Adjust backboard to square and tighten all bolts.

NOTE: Rim & Backboard to be mounted secure to sleeve adapter (GNP). Then attach sleeve to Post and secure with set screws and drive pin.

5. Align Rim with holes on Backboard & mounting plate and attach with 3/8" x 2" Hex Head bolt. Flat Washers and Nylock Nuts.

6. Attach Assembled Rim/Backboard/Sleeve to Gooseneck Post.

7. For **Adjustable Offset Goals**, attach Rim & Backboard with requested hardware to the adjustable offset. Use other half clamp and attach assembly to bottom of post. Once all hardware is snug enough, slide assembly up the post to the desired height.

Model #24 backboard are equipped with countersunk holes on the backboard for diagonal brace and angle iron stiffener installation.

CAUTION: Flat washers must be used behind plate when mounting backboards.

Model 24:


1. Attach 2" x 2" x 48" angle stiffener (with welded attachment angels) to backboard with 3/8" x 2" Flat Head Bolts & Washers.

2. Attach diagonal braces to the angle stiffener with Flat Head Bolts and Flat Washers provided.

Diagonal Brace Installation:

Diagonal brace installation varies depending on which upright post is ordered.

Plumb backboard and goal ring true and level (shim if necessary). Tighten all hardware securely. Install net. If the goal ring is equipped with chain net, make sure all S-hooks are fully closed.

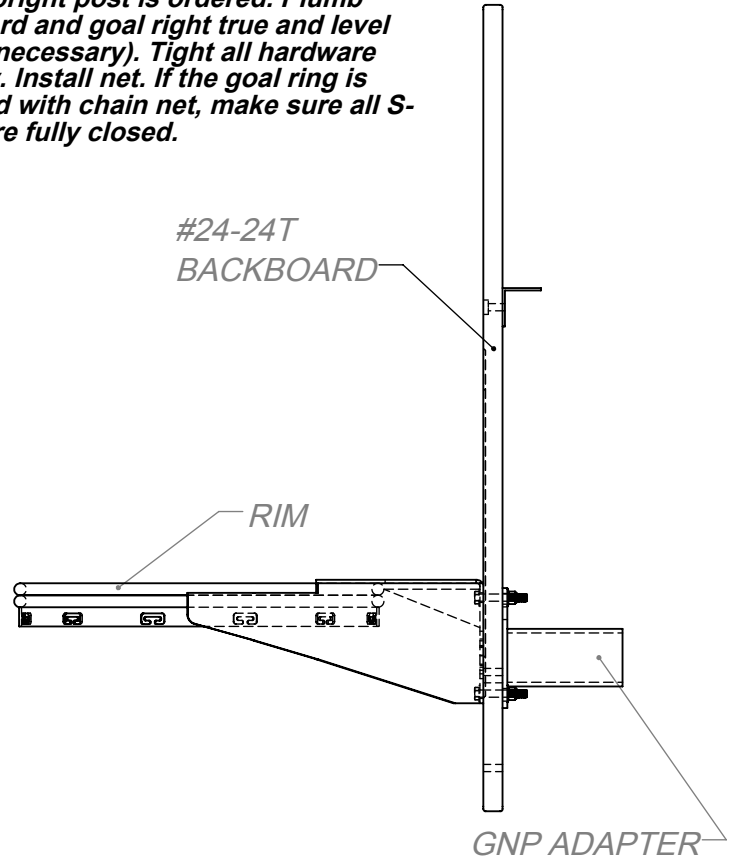
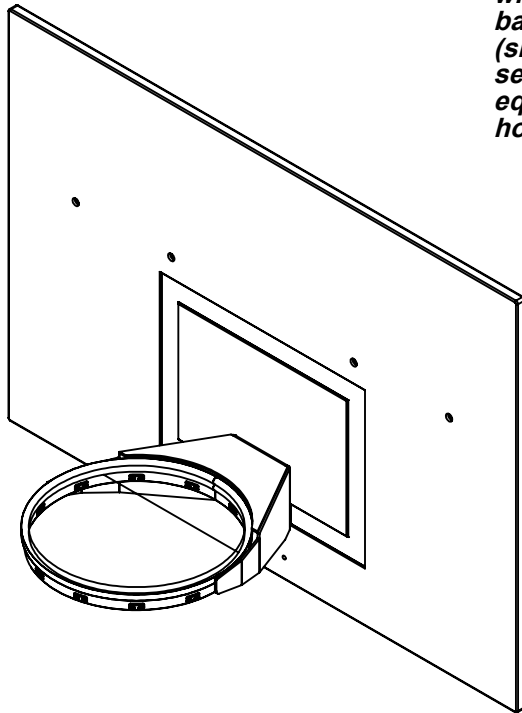
 ATHLETIC MFG. CO.	Date: 4/8/15	SPECIFICATION / INSTALLATION INSTRUCTIONS POLYETHYLENE RECTANGLE BASKETBALL BACKBOARD
	Rev: 11/17/16	
	Drawn: MT	MODEL NO.
	Sheet: 2 of 3	#24 & #24T

BASKETBALL BACKBOARD

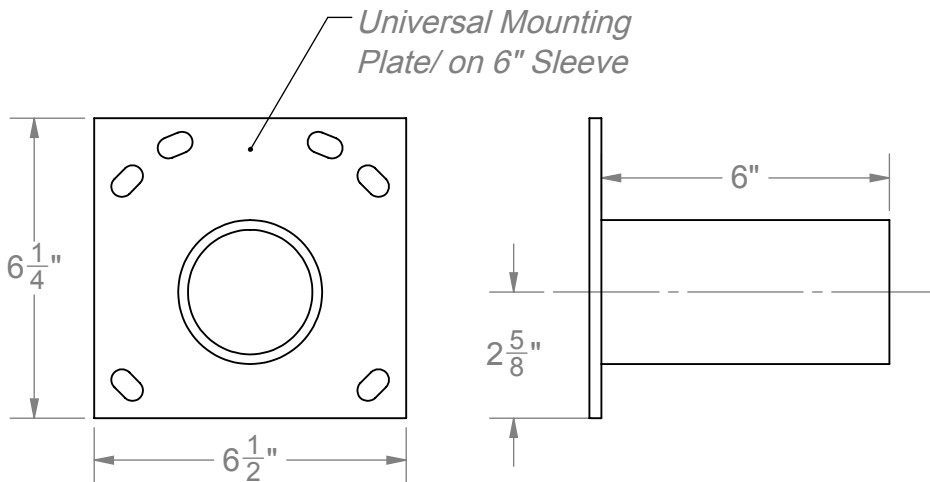
MODEL #24 HEAVY DUTY 1" SOLID WHITE POLYETHYLENE RECTANGLE (90lbs)

MODEL #24T HEAVY DUTY 1" SOLID WHITE POLYETHYLENE RECTANGLE (90lbs)
W/ SOLID POLY TARGET

Diagonal Brace Installation: Diagonal brace installation varies depending on which upright post is ordered. Plumb backboard and goal right true and level (shim if necessary). Tight all hardware securely. Install net. If the goal ring is equipped with chain net, make sure all S-hooks are fully closed.



NOTE: Sleeves supplied with PW Gooseneck Post ONLY



Post Size	Sleeve Size
3.5"	3"
4.5"	4"
5.563"	5"
6.625"	6"



Date: 4/8/15
Rev: 11/17/16
Drawn: MT
Sheet: 3 of 3

SPECIFICATION / INSTALLATION INSTRUCTIONS
POLYETHYLENE RECTANGLE
BASKETBALL BACKBOARD

MODEL NO.

#24 & #24T