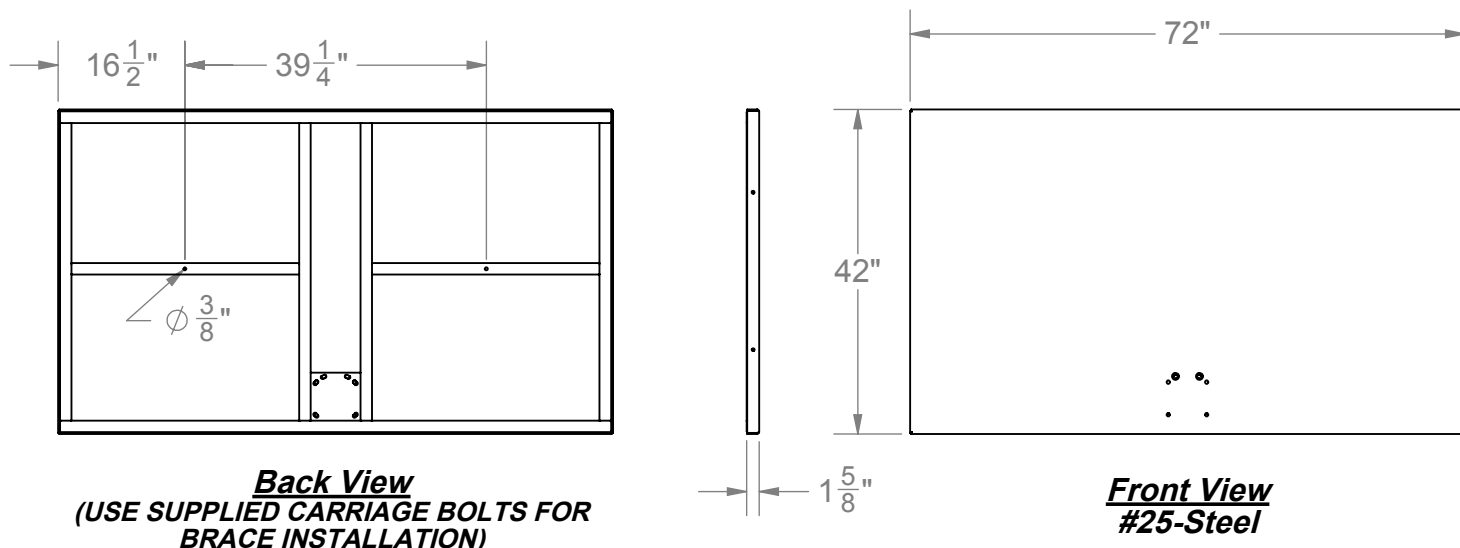


BASKETBALL BACKBOARD

MODEL #25 12 GAUGE STEEL RECTANGLE, WHITE (170 LBS)
(Steel board powder coated white after fabrication)



GENERAL:

Always use the goal ring holes to secure the backboard to the mounting plate.


1. Align countersunk holes with holes on mounting plate and attach with 3/8" x 2" flat head bolt.
NOTE: The flathead bolt will seat in the countersunk hole on the face of the backboard.

Caution: Flat washers must be used behind the plate when mounting the backboard.

- NOTE:** The Rim and Backboard are to be mounted securely to the sleeve adapter (GNP). Attach the sleeve to the Post and secure with set screws and drive pin.
2. Align the Rim with the holes on the Backboard and mounting plate and attach with 3/8" x 2" Hex Head bolts, Flat Washers and Nylock Nuts.
 3. Attach the assembled Rim/Backboard/Sleeve to the Gooseneck Post.
 4. For **Adjustable Offset Goals**, attach the Rim and Backboard with supplied hardware to the adjustable offset. Use the other half clamp and attach the assembly to the bottom of the post. Once all the hardware is snug, slide the assembly up the post to the desired height.
 5. Use a 7/32" hex key wrench to hold flathead bolt and secure with 3/8" flat washers and nuts.
 6. Align the goal ring with the other four holes on the mounting plate and secure with hardware provided.
 7. Adjust the backboard to square and tighten all bolts. The Model 25 (12 gauge) backboard is equipped with a welded angle on the back for diagonal brace installation.

WARRANTY PERIOD: Limited lifetime Warranty.

*Diagonal Brace Installation: Diagonal brace installation varies depending on which upright post is ordered. Plumb the backboard and goal ring true and level (shim if necessary). Tighten all hardware securely. Install the net. If the goal ring is equipped with a chain net, make sure all the S-hooks are fully closed.

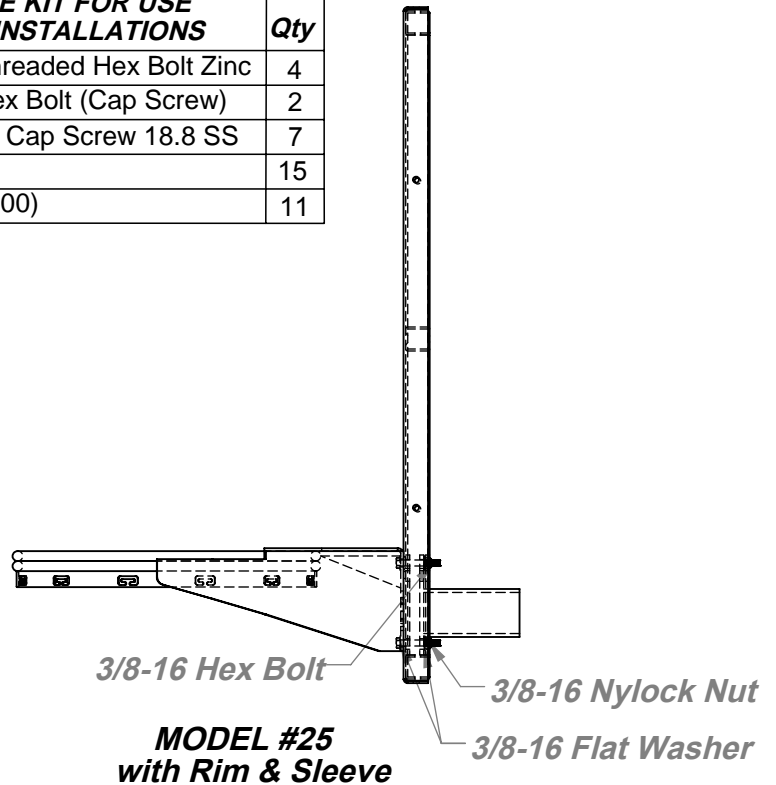
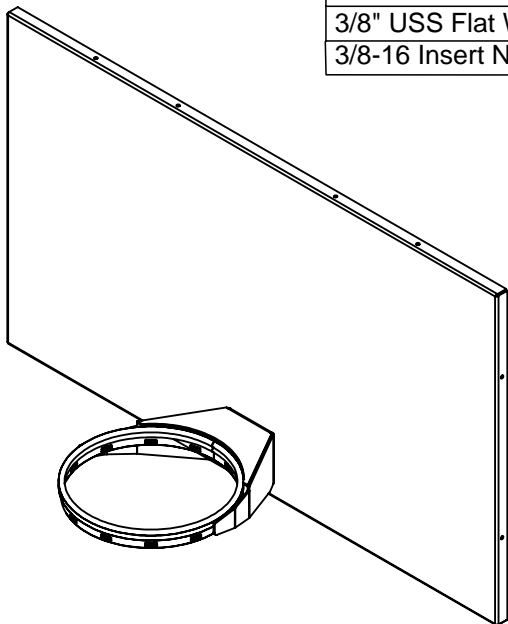
 <p>ATHLETIC MFG. CO.</p>	Date: 4/8/15	SPECIFICATION / INSTALLATION INSTRUCTIONS
	Rev: 12/8/22	
	Drawn: MT	MODEL NO.
	Sheet: 1 of 2	25

BASKETBALL BACKBOARD

MODEL #25 12 GAUGE STEEL RECTANGLE, WHITE (170 LBS)
(Steel board powder coated white after fabrication)

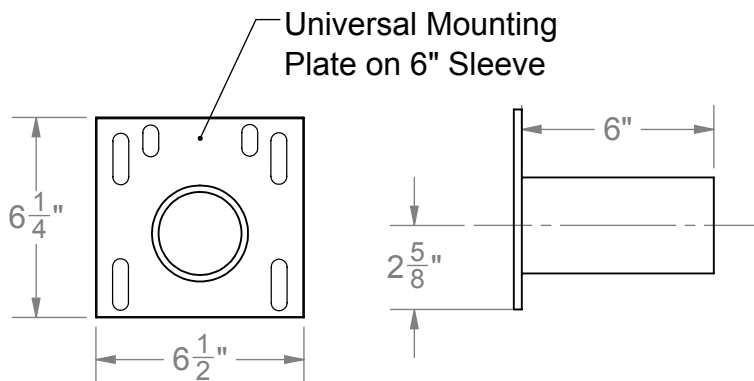
Model 25 is fabricated from a single sheet of 12-gauge galvanized steel and heavily reinforced around the perimeter and interior with 1-1/2" x 1-1/2" x 14ga steel tube and powder coated white after fabrication.

STANDARD HARDWARE KIT FOR USE ON ALL BACKBOARD INSTALLATIONS	Qty
3/8-16 x 3-1/2" GR5 Fully Threaded Hex Bolt Zinc	4
3/8-16 x 1" GR5 C/S Zinc Hex Bolt (Cap Screw)	2
3/8-16 x 2" Flat Head Socket Cap Screw 18.8 SS	7
3/8" USS Flat Washer Zinc	15
3/8-16 Insert Nylock Zinc (2500)	11



NOTE: Sleeves supplied with PW Gooseneck Post ONLY

Post Size	Sleeve Size
3-1/2"	3"
4-1/2"	4"
5-9/16"	5"
6-5/8"	6"



Diagonal Brace Installation: Diagonal brace installation varies depending on which upright post is ordered. Plumb backboard and goal ring true and level (shim if necessary). Tight all hardware securely. Install net. If the goal ring is equipped with a chain net, make sure all S-hooks are fully closed.



Date: 4/8/15
Rev: 12/8/22
Drawn: MT
Sheet: 2 of 2

SPECIFICATION / INSTALLATION INSTRUCTIONS

12-GA STEEL RECTANGLE BACKBOARD

MODEL NO.

25