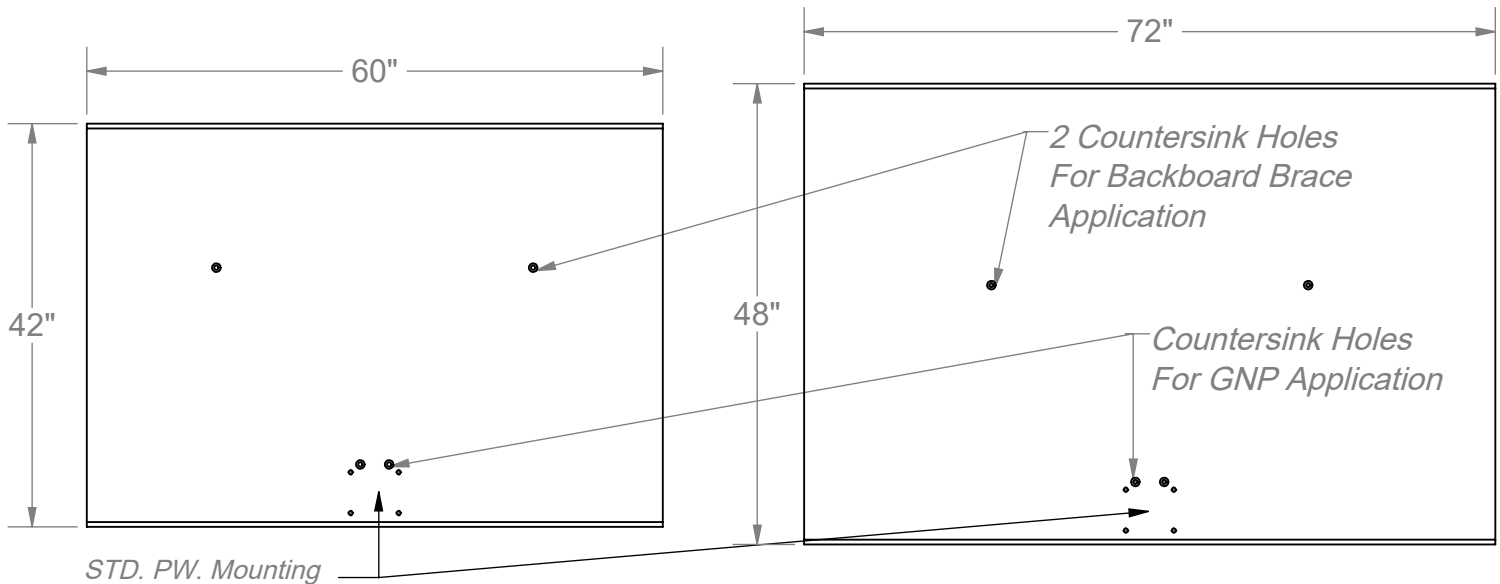


BASKETBALL BACKBOARD

MODEL #26 42" x 60" 1/4" STEEL RECTANGLE, WHITE (185 LBS)
(1/4" solid steel board powder coated white after fabrication)

MODEL #26W 48" x 72" 1/4" STEEL RECTANGLE, WHITE (260 LBS)
(1/4" solid steel board powder coated white after fabrication)



GENERAL:

Instructions for installation of backboards to PW Athletic posts ONLY. For other manufacturer's posts and backboards, please consult installation instructions provided by that manufacturer.

*This heavy-duty backboard is designed for outdoor use. This backboard has been redesigned with a 6-hole pattern to allow changing the goals without removing the backboard. **NOTE:** The two countersunk holes in the STD. Mounting pattern are used for attaching the backboard to the GNP Adapter plate and are only used to aid in installation. **Always use the goal ring holes to secure the backboard to the GNP.**

NOTE: Rim and Backboard are to be mounted securely to the sleeve adapter (GNP). Attach sleeve to Post and secure with set screws and drive pin.


1. Align the Rim with the holes on the Backboard and mounting plate and attach with 3/8" x 3-1/2" Hex Head bolts, Flat Washers and Nylock Nuts.
2. Attach the assembled Rim/Backboard/Sleeve to the Gooseneck Post.
3. For **Adjustable Offset Goals**, attach Rim and Backboard with requested hardware to the adjustable offset. Use other half clamp and attach assembly to the bottom of post. Once all hardware is snug, slide assembly up the post to the desired height.

Caution: Flat washers must be used behind plate when mounting backboard.

4. Use a 7/32" hex key wrench to hold the flathead bolt and secure with 3/8" flat washers and nuts.
5. Adjust backboard to square and tighten all bolts. This model is equipped with welded nuts on the backboard for diagonal brace installation.

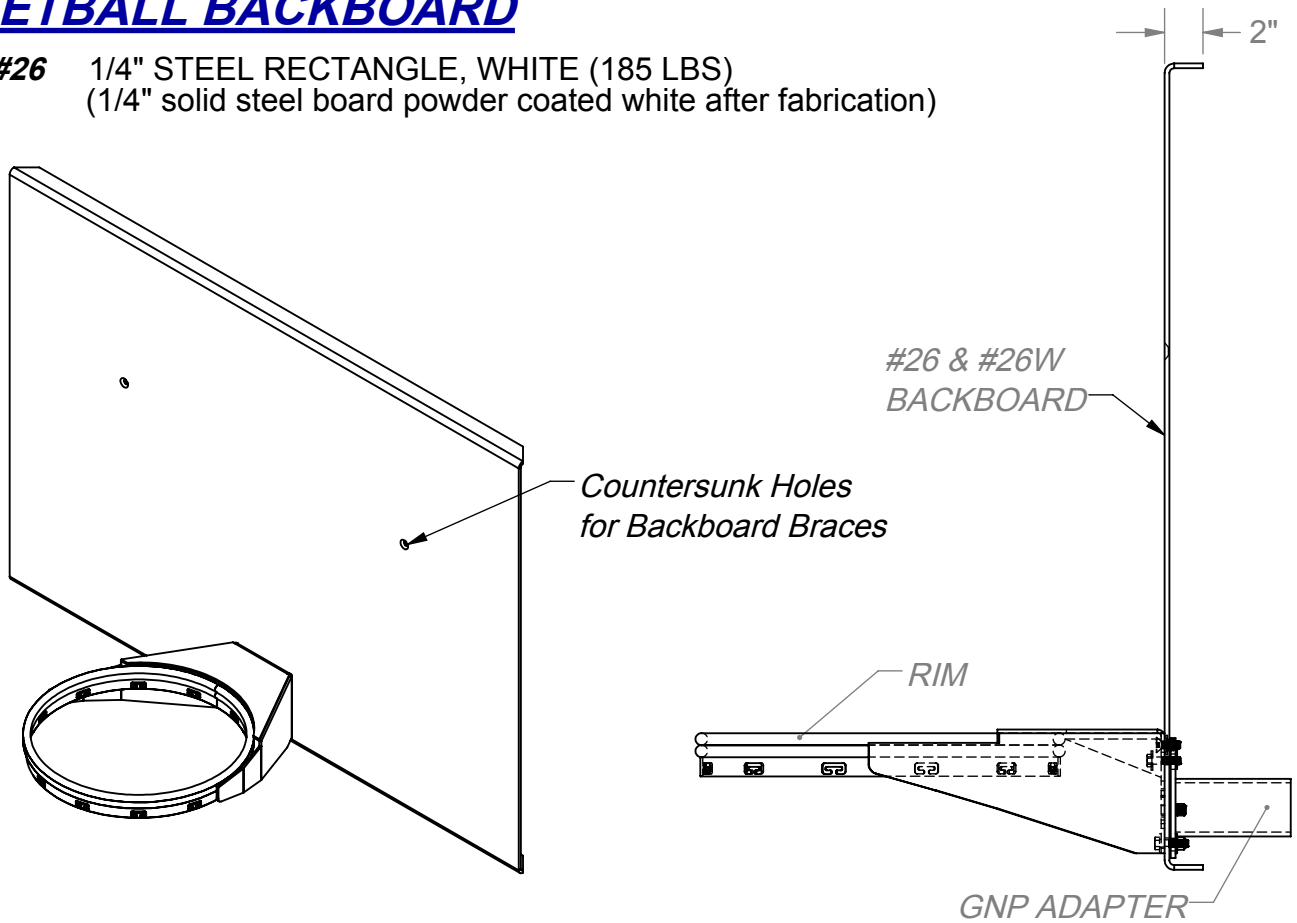
WARRANTY PERIOD: Limited Lifetime Warranty.

*Diagonal Brace Installation: Diagonal brace installation varies depending on which upright post is ordered. Plumb backboard and goal ring true and level (shim if necessary). Tighten all hardware securely. Install net. If the goal ring is equipped with chain net, make sure all S-hooks are fully closed.

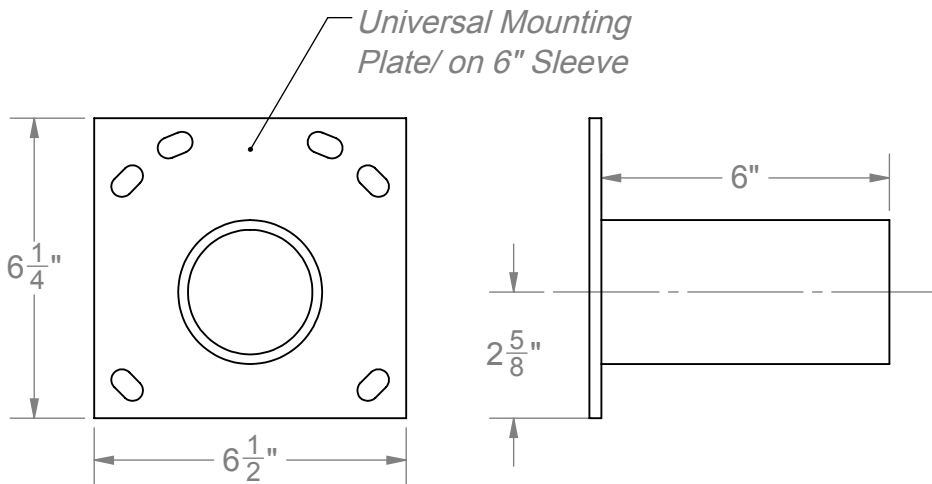
	Date: 4/8/15	SPECIFICATION / INSTALLATION INSTRUCTIONS
	Rev: 12/6/22	
	Drawn: MT	MODEL NO.
	Sheet: 1 of 2	26 & 26W

BASKETBALL BACKBOARD

MODEL #26 1/4" STEEL RECTANGLE, WHITE (185 LBS)
 (1/4" solid steel board powder coated white after fabrication)



NOTE: Sleeves supplied with PW Gooseneck Post ONLY



Post Size	Sleeve Size
3.5"	3"
4.5"	4"
5.563"	5"
6.625"	6"



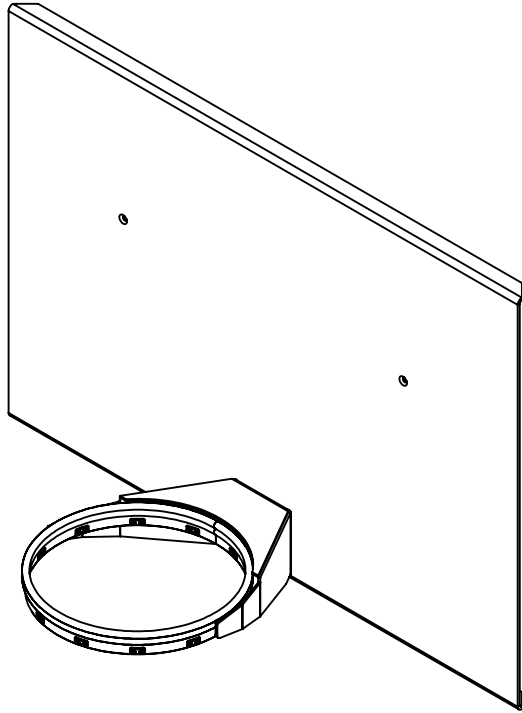
Date: 4/8/15
 Rev: 12/6/22
 Drawn: MT
 Sheet: 2 of 2

SPECIFICATION / INSTALLATION INSTRUCTIONS
 RECTANGLE STEEL BASKETBALL BACKBOARD
 MODEL NO.
26 & 26W

Pick Ticket

Internal use only; return to office with packet.

Shipping to pull Backboard and Hardware below; nothing required from fabrication.



STANDARD HARDWARE KIT FOR USE ON ALL BACKBOARD INSTALLATIONS	Qty
3/8-16 x 3-1/2" GR5 Fully Threaded Hex Bolt Zinc	4
3/8-16 x 1" GR5 C/S Zinc Hex Bolt (Cap Screw)	2
3/8-16 x 2" Flat Head Socket Cap Screw 18.8 SS	7
3/8" USS Flat Washer Zinc	15
3/8-16 Insert Nylock Zinc (2500)	11

