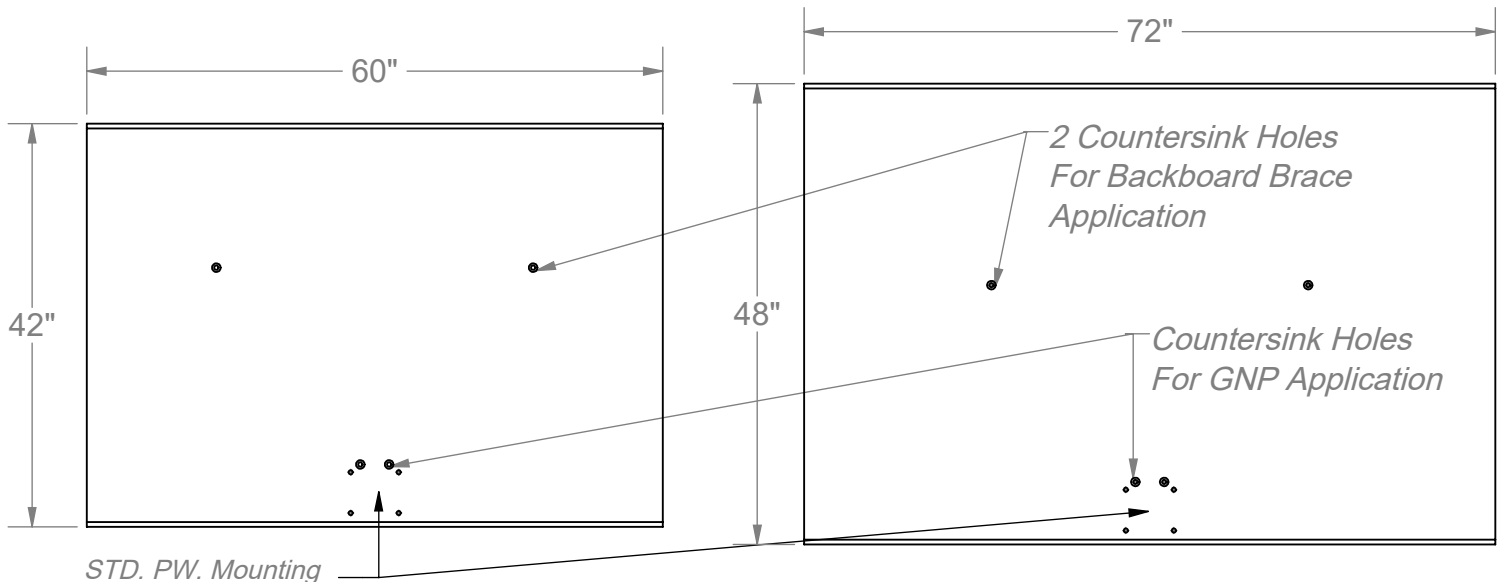


BASKETBALL BACKBOARD

MODEL #26 42" x 60" 1/4" STEEL RECTANGLE, WHITE (185 LBS)
(1/4" solid steel board powder coated white after fabrication)

MODEL #26 W 48" x 72" 1/4" STEEL RECTANGLE, WHITE (260 LBS)
(1/4" solid steel board powder coated white after fabrication)



GENERAL:

Instructions for installation of backboards to PW Athletic posts ONLY. For other manufacturer's posts and backboards, please consult installation instructions provided by that manufacturer.

*This heavy-duty backboard is designed for outdoor use. These backboards have been redesigned with a 6-hole pattern to allow changing the goals without removing the backboard. **NOTE:** The two countersunk holes in the STD. Mounting pattern are used for attaching the backboard to the GNP Adapter plate and are only used to aid in installation. **Always use the goal ring holes to secure the backboard to the GNP.**

NOTE: Rim & Backboard to be mounted secure to sleeve adapter (GNP). Then attach sleeve to Post and secure with set screws and drive pin.


1. Align Rim with holes on Backboard & mounting plate and attach with 3/8" x 1-1/4" Hex Head bolt. Flat Washers and Nylock Nuts.
2. Attach Assembled Rim/Backboard/Sleeve to Gooseneck Post.
3. For **Adjustable Offset Goals**, attach Rim & Backboard with requested hardware to the adjustable offset. Use other half clamp and attach assembly to bottom of post. Once all hardware is snug enough, slide assembly up the post to the desired height.

Caution: Flat washers must be used behind plate when mounting backboard.

4. Use 7/32" hex key wrench to hold flathead bolt and secure with 3/8" flat washers and nuts.
5. Adjust backboard to square and tighten all bolts. This model is equipped with welded nuts on the backboard for diagonal brace installation.

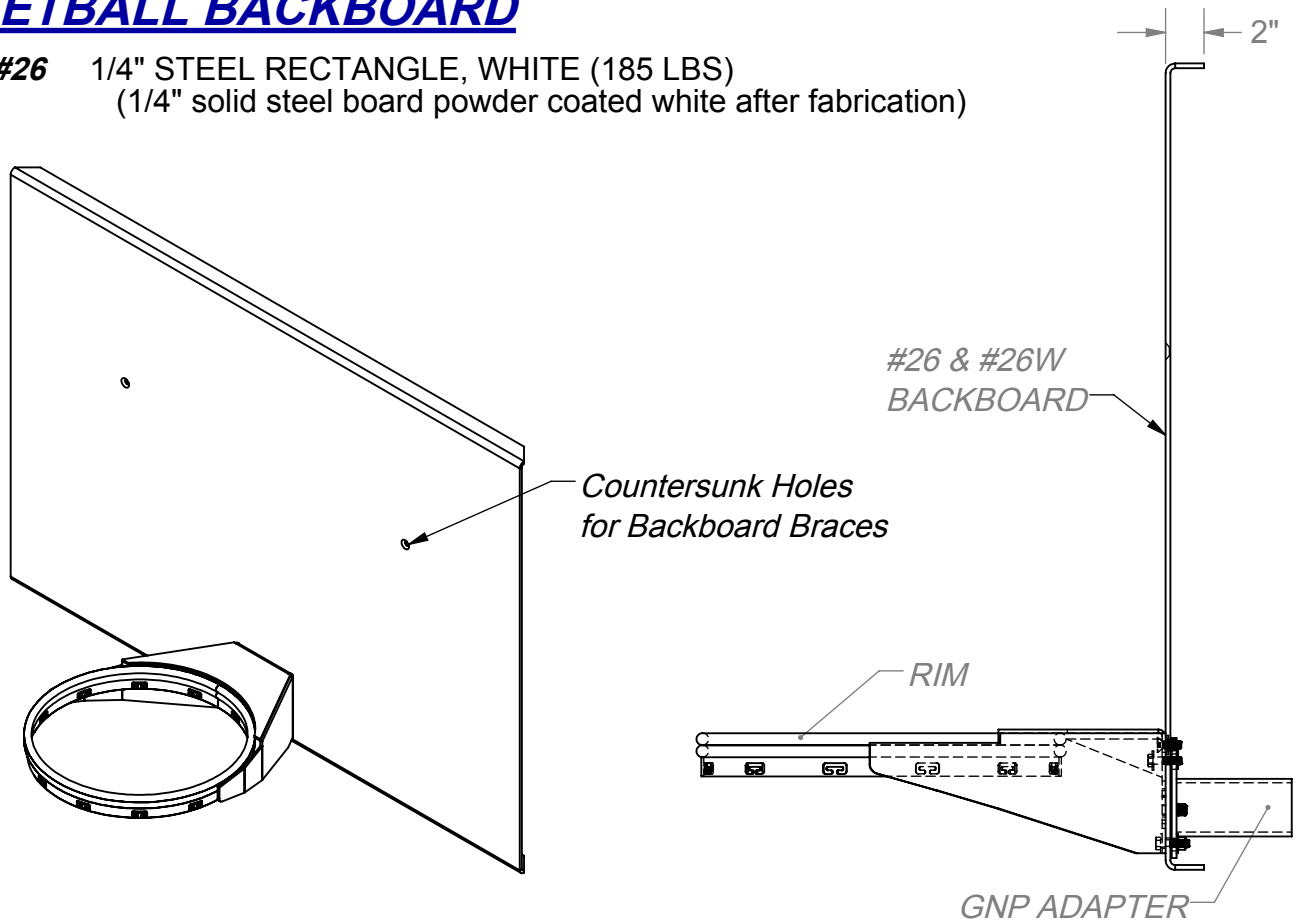
WARRANTY PERIOD: Limited Lifetime Warranty.

*Diagonal Brace Installation: Diagonal brace installation varies depending on which upright post is ordered. Plumb backboard and goal ring true and level (shim if necessary). Tighten all hardware securely. Install net. If the goal ring is equipped with chain net, make sure all S-hooks are fully closed.

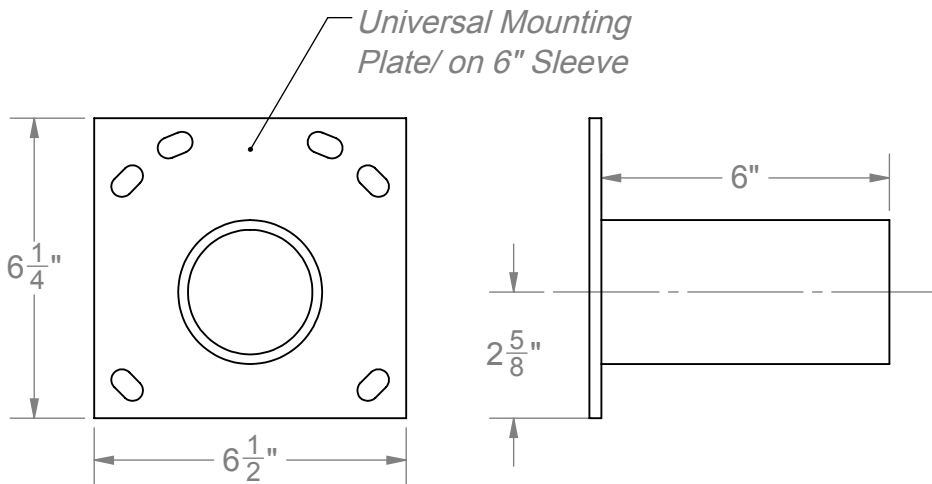
	Date: 4/8/15	SPECIFICATION / INSTALLATION INSTRUCTIONS
	Rev: JN 7/21/20	RECTANGLE STEEL BASKETBALL BACKBOARD
	Drawn: MT	MODEL NO.
	Sheet: 1 of 2	#26 & 26W

BASKETBALL BACKBOARD

MODEL #26 1/4" STEEL RECTANGLE, WHITE (185 LBS)
 (1/4" solid steel board powder coated white after fabrication)



NOTE: Sleeves supplied with PW Gooseneck Post ONLY



Post Size	Sleeve Size
3.5"	3"
4.5"	4"
5.563"	5"
6.625"	6"



Date: 4/8/15
 Rev: JN 7/21/20
 Drawn: MT
 Sheet: 2 of 2

SPECIFICATION / INSTALLATION INSTRUCTIONS

RECTANGLE STEEL BASKETBALL BACKBOARD

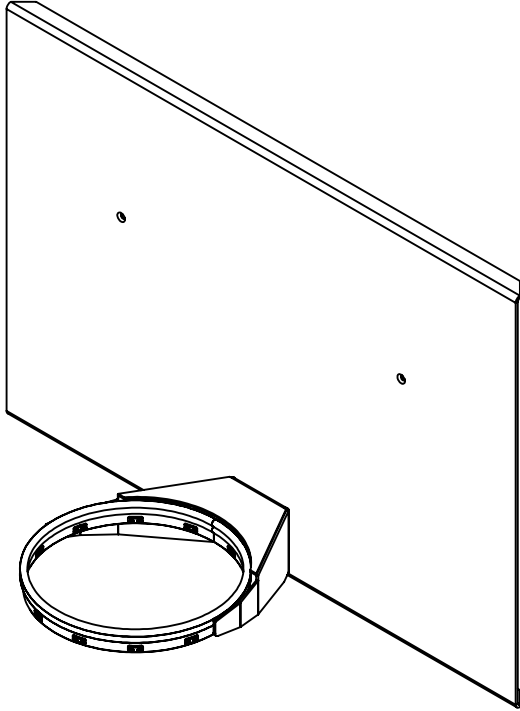
MODEL NO.

#26 & #26 W

Pick Ticket

Internal use only return to office with packet

Shipping to pull Backboard and Hardware Below nothing required from Fabrication.



<i>Component Description</i>	<i>Qty</i>
3/8"-16 x 1-1/4" Flat Head Bolt	2
3/8"-16 x 1-1/4" Flat Head Bolt (Braces)	2
3/8"-16 Lock Nut - Nylock	8
3/8" Flat Washer	8
3/8"-16 x 1-1/4" Hex Bolt	4

