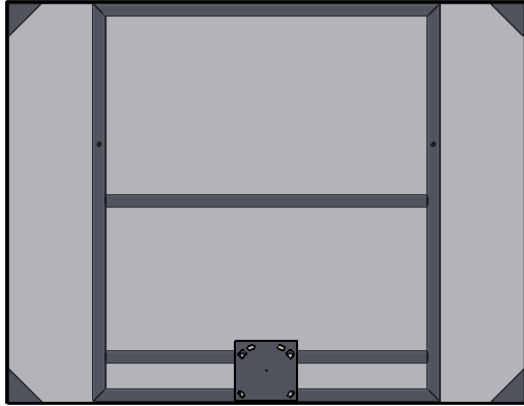
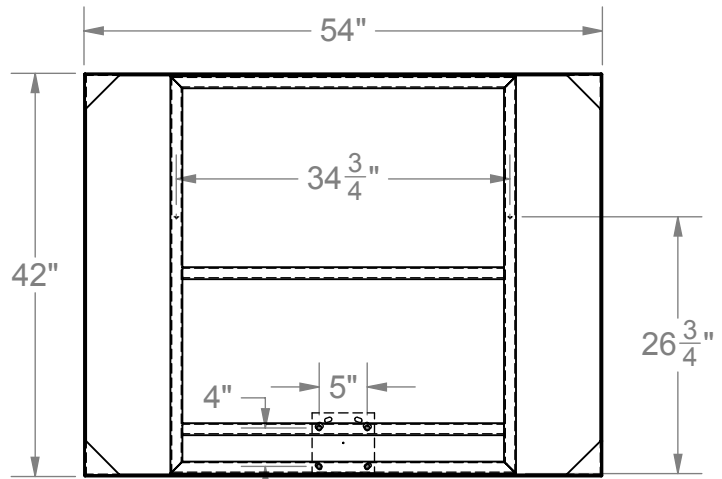


BASKETBALL BACKBOARD

MODEL #27 HEAVY DUTY POLYCARBONATE w/ ALUMINUM FRAME & WHITE TARGET (135lbs)



FRONT OF BOARD



BACK OF BOARD

Instructions for installation of backboards to PW Athletic posts ONLY. For other manufacturer's posts and backboards, please consult installation instructions provided by that manufacturer.

MATERIALS:

Polycarbonate Backboard: Model #27 is a rectangle shaped 1/2" polycarbonate with an aluminum frame. The frame is natural aluminum finish.

Warranty Period: Limited Lifetime Warranty

NOTE: Rim & Backboard to be mounted secure to sleeve adapter (GNP). Then attach sleeve to Post and secure with set screws and drive pin.

1. Align Rim with holes on Backboard & mounting plate and attach with 3/8" x 3-1/2" Hex Head bolt. Flat Washers and Nylock Nuts.
2. Attach Assembled Rim/Backboard/Sleeve to Gooseneck Post.
3. For **Adjustable Offset Goals**, attach Rim & Backboard with requested hardware to the adjustable offset. Use other half clamp and attach assembly to bottom of post. Once all hardware is snug enough, slide assembly up the post to the desired height.

*These backboards have been redesigned with a 6-hole pattern to allow changing the goals without removing the backboard.


NOTE: These two holes are used for attaching the backboard to the GNP Adapter plate and are only used to aid in installation. Always use the goal ring holes to secure the backboard to the GNP.

CAUTION: Flat washers must be used behind plate when mounting backboard.

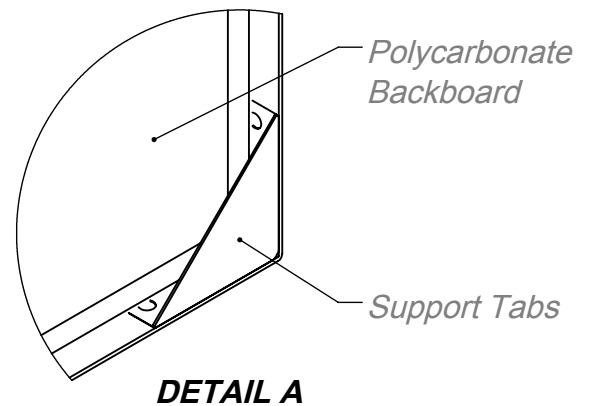
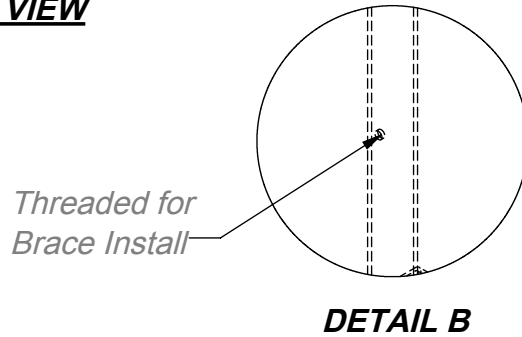
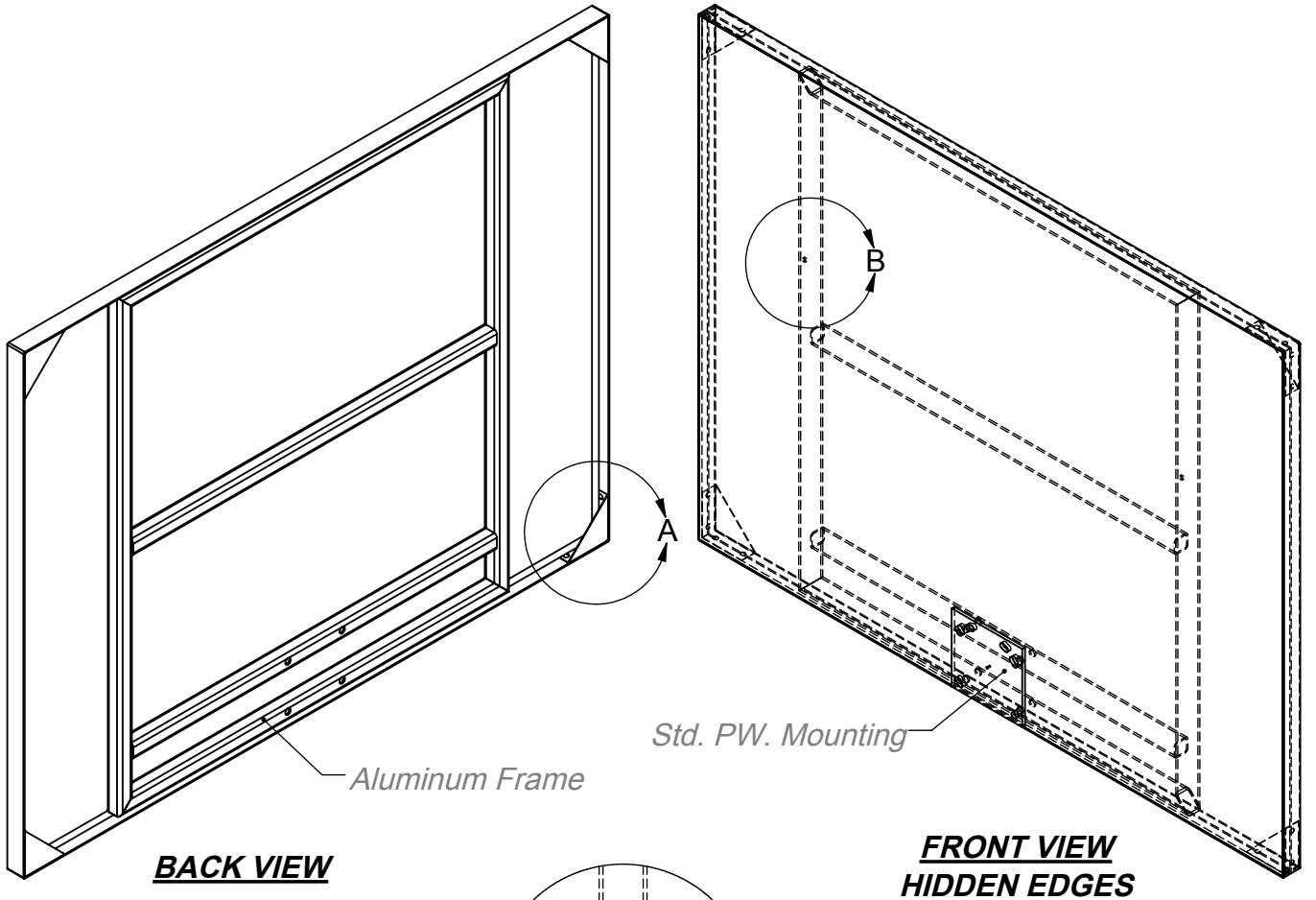
4. Level and plumb the backboard and tighten all hardware. Cut and Peen any excess threads protruding out of nuts.
5. Attach diagonal brace to the channel slot on backboard with 3/8" x 3/4" Hex Bolts.

NOTE: Diagonal braces vary depending on which upright post is ordered.

Hardware comes separately with each item (i.e. rim, backboard, and post)

	Date: 4/13/15	SPECIFICATION / INSTALLATION INSTRUCTIONS
	Rev: 11/16/16	
	Drawn: MT	MODEL NO.
	Sheet: 1 of 3	#27

BASKETBALL BACKBOARD



Component Description	Qty
Polycarbonate Backboard	1
3/8"-16 x 3-1/2" Hex Bolt	4
3/8" Flat Washer	8
3/8"-16 Lock Nut - Nylock	4
3/8"-16 x 3/4" Hex Bolt for Braces	2



Date: 4/13/15
 Rev: 11/16/16
 Drawn: MT
 Sheet: 2 of 3

SPECIFICATION / INSTALLATION INSTRUCTIONS

*POLYCARBONATE W/
ALUMINUM FRAME BACKBOARD*

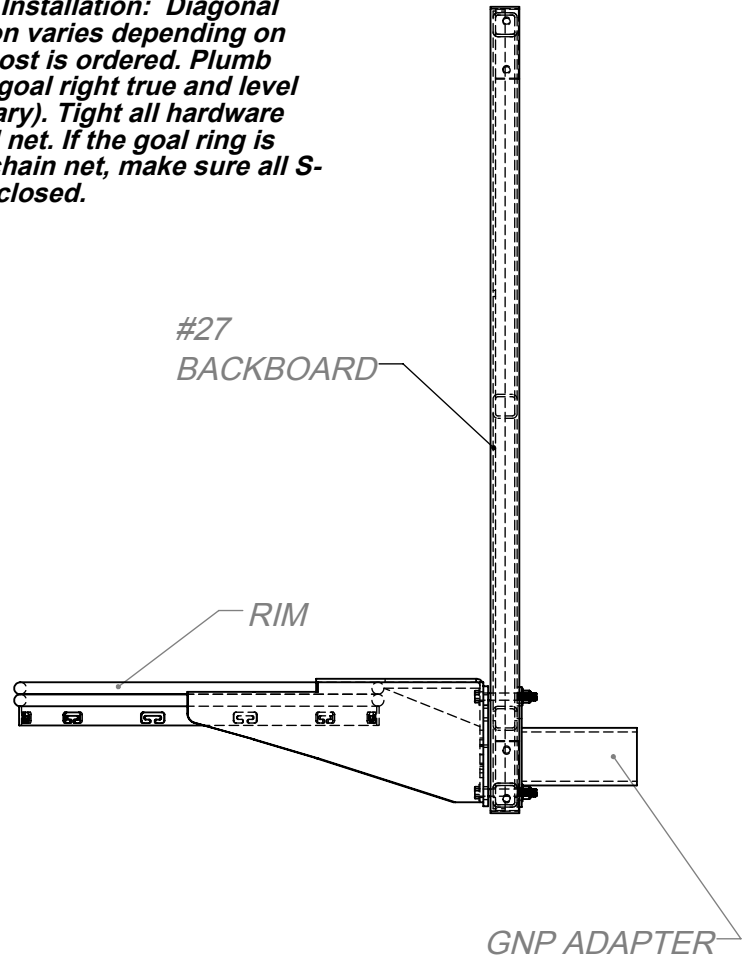
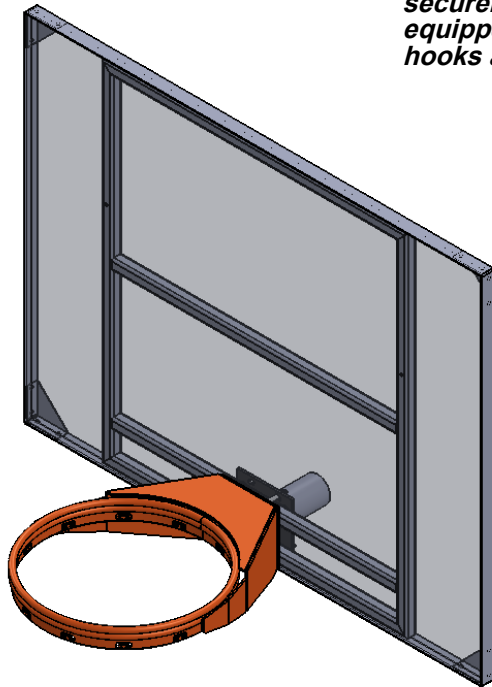
MODEL NO.

#27

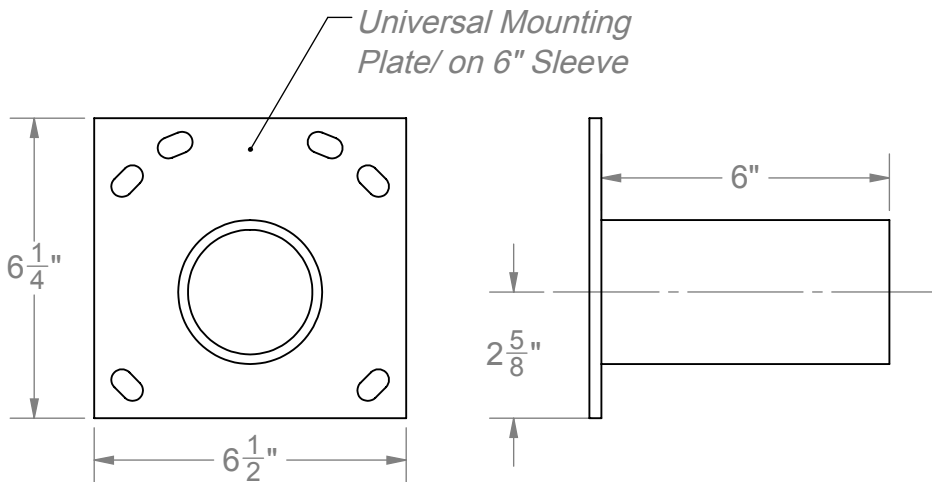
BASKETBALL BACKBOARD

MODEL #27 HEAVY DUTY POLYCARBONATE w/ ALUMINUM FRAME & WHITE TARGET (135lbs)

Diagonal Brace Installation: Diagonal brace installation varies depending on which upright post is ordered. Plumb backboard and goal right true and level (shim if necessary). Tight all hardware securely. Install net. If the goal ring is equipped with chain net, make sure all S-hooks are fully closed.



NOTE: Sleeves supplied with PW Gooseneck Post ONLY



Post Size	Sleeve Size
3.5"	3"
4.5"	4"
5.563"	5"
6.625"	6"



Date: 4/8/15
 Rev: 11/17/16
 Drawn: MT
 Sheet: 3 of 3

SPECIFICATION / INSTALLATION INSTRUCTIONS

POLYCARBONATE W/
 ALUMINUM FRAME BACKBOARD

MODEL NO.

#27