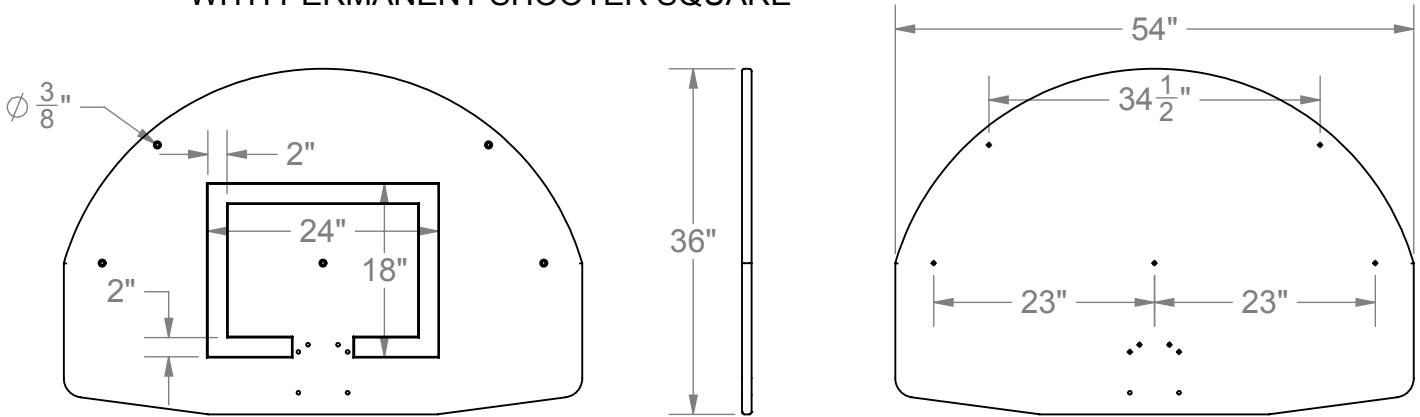


# BASKETBALL BACKBOARD

**MODEL #30** HEAVY DUTY 1" SOLID POLYETHYLENE FAN (70 LBS)  
WITH PERMANENT SHOOTER SQUARE



**For installation of backboards to PW Athletic posts ONLY. For other manufacturer's posts and backboards, please consult the installation instructions provided by that manufacturer.**

## SPECIFICATIONS:

**GENERAL:** This heavy-duty backboard is designed for outdoor use. Backboards are available in fan-shaped or rectangular-shaped boards.

**MATERIALS:** \*Poly "Fan": The Model 30 is made of 1" thick, white, high-density, UV stabilized polyethylene. A 2" x 2" x 48" angle stiffener is provided for the back of the board with welded attachment angles for diagonal brace installation and is powder coated white after fabrication.

**Caution:** Flat washers must be used behind the plate when mounting the backboard.

**WARRANTY PERIOD:** Limited Lifetime Warranty.

**NOTE:** The Rim and Backboard are to be mounted securely to the sleeve adapter (GNP). Attach the sleeve to the Post and secure with set screws and drive pin.

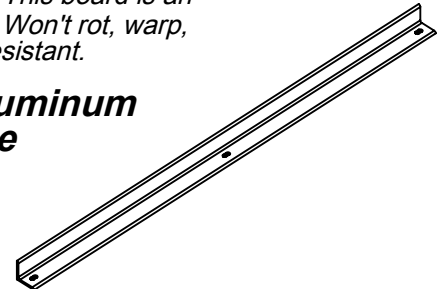
1. Align the Rim with the holes on the Backboard and mounting plate and attach with 3/8" x 3-1/2" Hex Head bolts, Flat Washers and Nylock Nuts.
2. Attach the Assembled Rim/Backboard/Sleeve to the Gooseneck Post.
3. For **Adjustable Offset Goals**, attach the Rim and Backboard with supplied hardware to the adjustable offset. Use the other half clamp and attach the assembly to the bottom of the post. When all the hardware is snug, slide the assembly up the post to the desired height.

\*These backboards have been redesigned with a 6-hole pattern to allow changing the goals without removing the backboard.  
**NOTE:** These two holes are used for attaching the backboard to the GNP Adapter plate and are only used to aid in installation. Always use the goal ring holes to secure the backboard to the GNP.

\*Shooters square machined into the face of the board to provide a permanent target. This board is an incredibly durable Polyethylene Plastic that withstands extreme weather conditions. Won't rot, warp, or decay from moisture or ultraviolet rays and is virtually indestructible and graffiti resistant.

STANDARD HARDWARE KIT FOR USE ON ALL BACKBOARD INSTALLATIONS	Qty
3/8-16 x 3-1/2" GR5 Fully Threaded Hex Bolt Zinc	4
3/8-16 x 1" GR5 C/S Zinc Hex Bolt (Cap Screw)	2
3/8-16 x 2" Flat Head Socket Cap Screw 18.8 SS	7
3/8" USS Flat Washer Zinc	15
3/8-16 Insert Nylock Zinc (2500)	11

**2" x 2" x 48" Aluminum  
Anti-Warp Angle**



Date: 4/17/15  
Rev: 12/13/22  
Drawn: MT  
Sheet: 1 of 2

## **SPECIFICATION / INSTALLATION INSTRUCTIONS**

POLYETHYLENE FAN  
BACKBOARD WITH PERMANENT TARGET

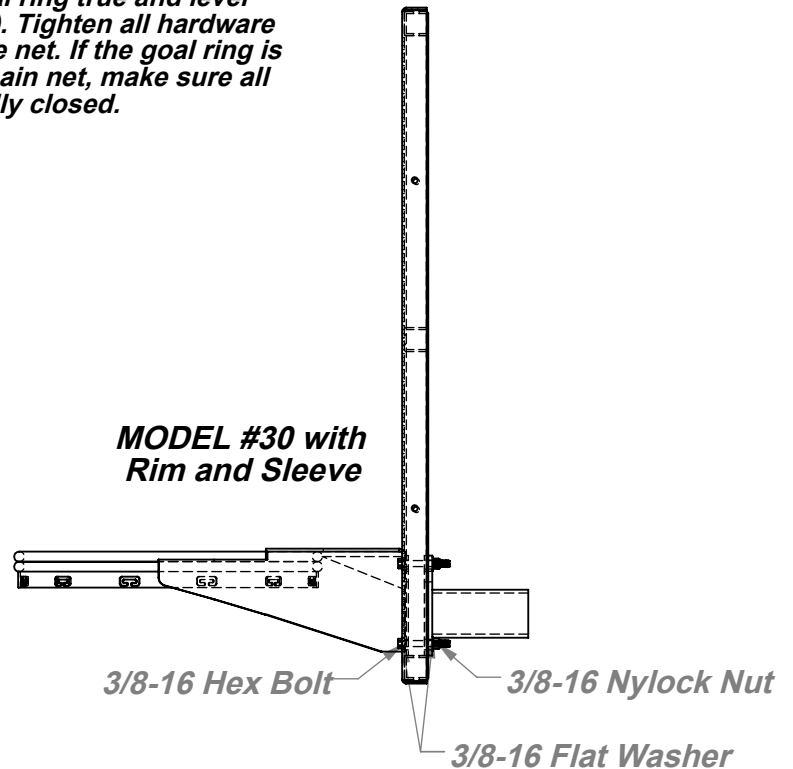
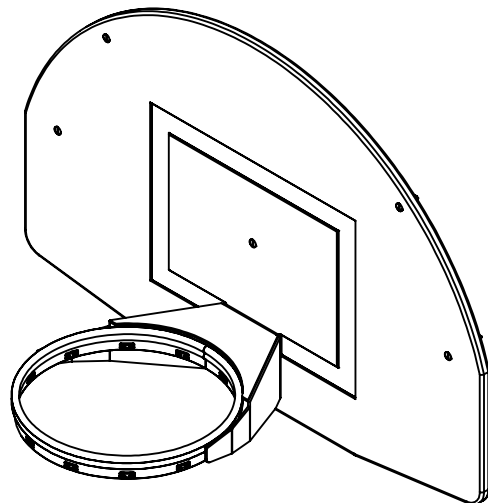
MODEL NO.

**30**

# **BASKETBALL BACKBOARD**

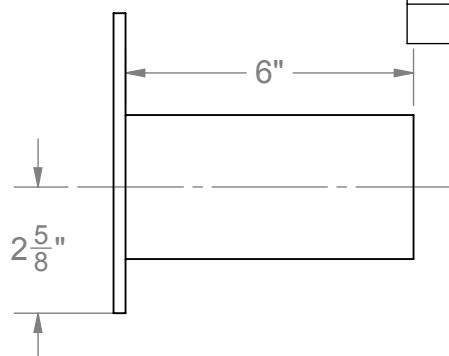
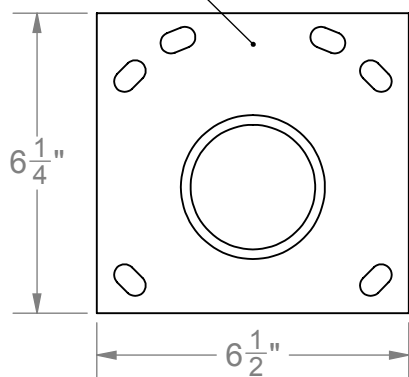
**MODEL #30** HEAVY DUTY 1" SOLID POLYETHYLENE FAN (70 LBS)  
WITH PERMANENT SHOOTER SQUARE

*Diagonal Brace Installation: Diagonal brace installation varies depending on which upright post is ordered. Plumb the backboard and goal ring true and level (shim if necessary). Tighten all hardware securely. Install the net. If the goal ring is equipped with a chain net, make sure all the S-hooks are fully closed.*



**NOTE: Sleeves supplied with PW Gooseneck Post ONLY**

Universal Mounting Plate on 6" Sleeve



Post Size	Sleeve Size
3.5"	3"
4.5"	4"
5.563"	5"
6.625"	6"



Date: 4/8/15  
Rev: 12/13/22  
Drawn: MT  
Sheet: 2 of 2

**SPECIFICATION / INSTALLATION INSTRUCTIONS**

POLYETHYLENE FAN  
BACKBOARD WITH PERMANENT TARGET

MODEL NO.

**30**

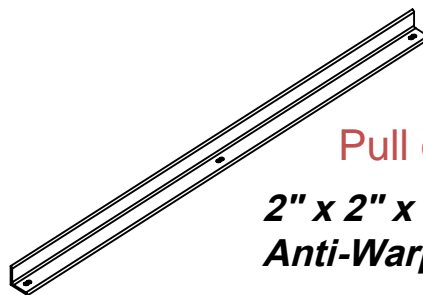
# Pick Ticket

Internal use only; return to the office with packet.

Shipping to pull backboard anti-warp and hardware below; nothing required from fabrication.

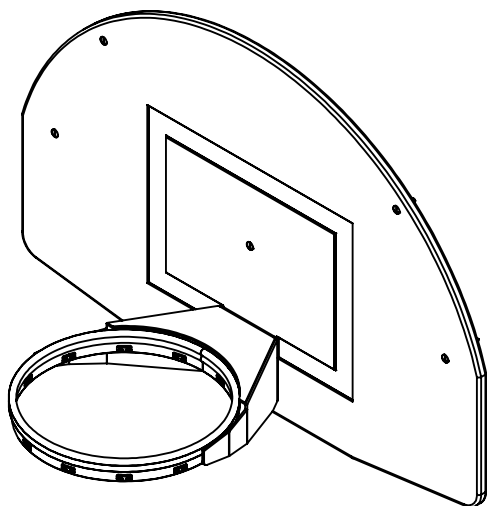
If a shortage exists, inform the office immediately.

<b>STANDARD HARDWARE KIT FOR USE ON ALL BACKBOARD INSTALLATIONS</b>	<b>Qty</b>
3/8-16 x 3-1/2" GR5 Fully Threaded Hex Bolt Zinc	4
3/8-16 x 1" GR5 C/S Zinc Hex Bolt (Cap Screw)	2
3/8-16 x 2" Flat Head Socket Cap Screw 18.8 SS	7
3/8" USS Flat Washer Zinc	15
3/8-16 Insert Nylock Zinc (2500)	11



Pull one per board

**2" x 2" x 48" Aluminum  
Anti-Warp Angle**



COMPONENT DESCRIPTION	Qty
ANTIWARP 23-30BB 48" ALUMINUM ANGLE	1