

# SITE FURNISHINGS

**MODEL 3102-06** 6 FT. HORIZONTAL STEEL BAR BENCH WITH BACK (240 lbs)

**MODEL 3102-08** 8 FT. HORIZONTAL STEEL BAR BENCH WITH BACK (260 lbs)

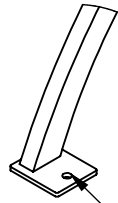
**MATERIAL:**

**SEAT and END FRAMES:** One piece assembly consisting of 1-1/2" x 1/4" steel bar seat; 1-5/8" O.D. heavy-duty steel side supports; 1/4" Steel Plate understructure; welded to 1" Solid Steel Plate End Frames.

**FINISH:** Super durable powder coat.

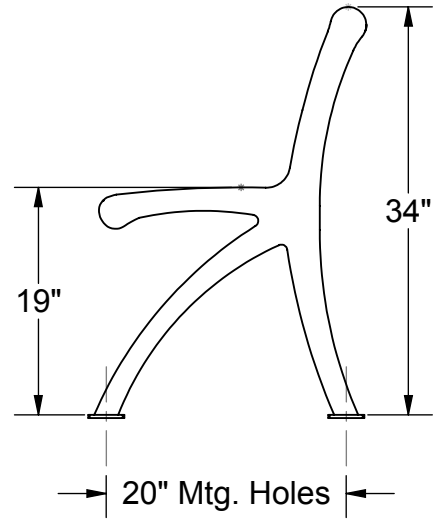
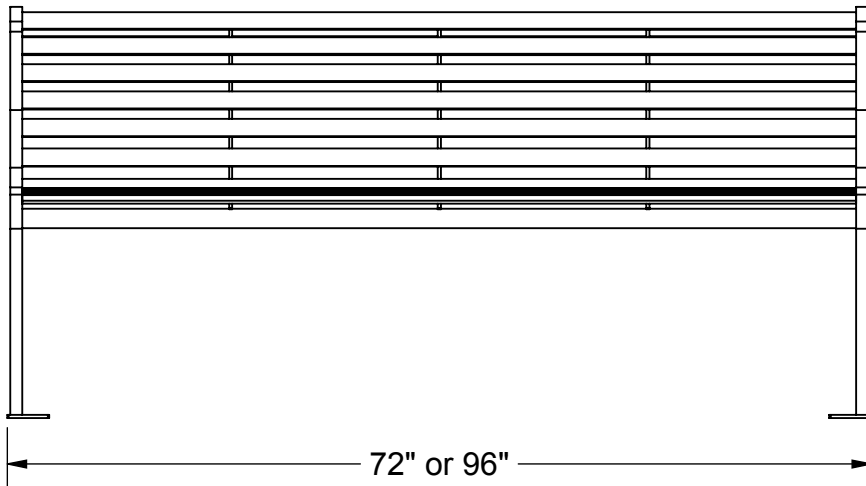


**3102-06  
Xander Bench**



3/8" Hardware  
for Surface Mtg.

**DETAIL A  
Surface Mounting**



*(Note: Bench must be anchored. Anchoring hardware not included.)*

**SHIPS ASSEMBLED  
IN ONE PIECE**



SITE FURNISHINGS

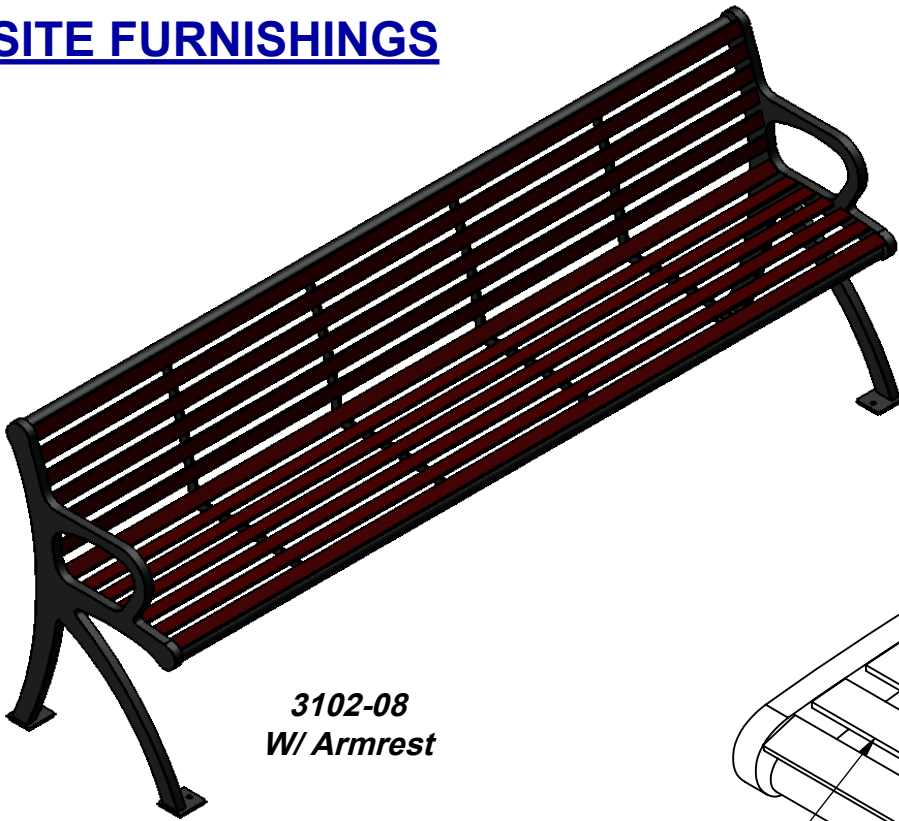
SCALE: N.T.S.  
DATE: 9/16/15  
DRAWN: MT  
REV: 2/22/17  
SHEET: 1 of 2

**SPECIFICATION / INSTALLATION INSTRUCTIONS**

XANDER BENCH  
STEEL STRAP WITH BACK

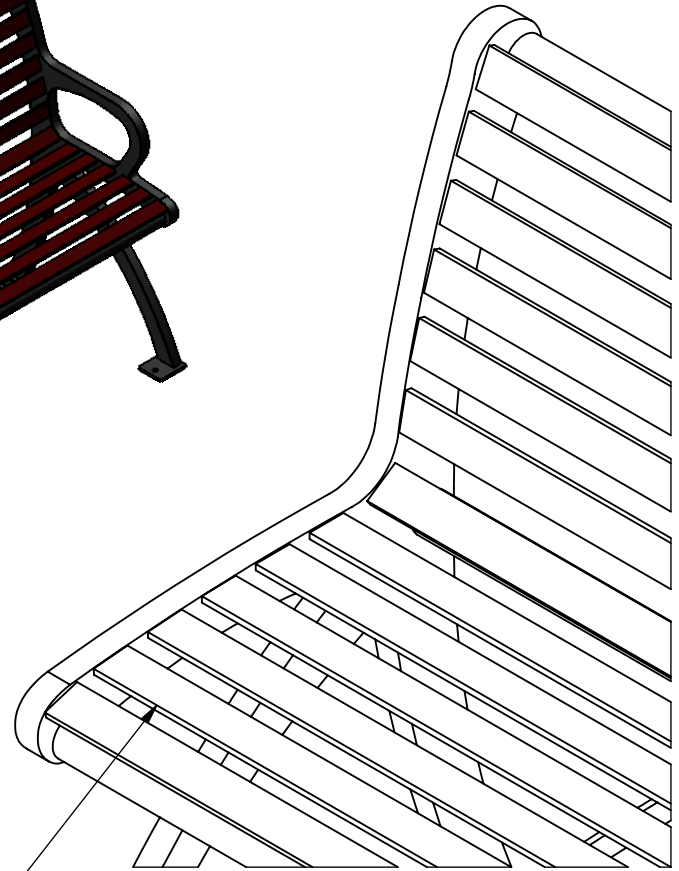
**3102**

# SITE FURNISHINGS



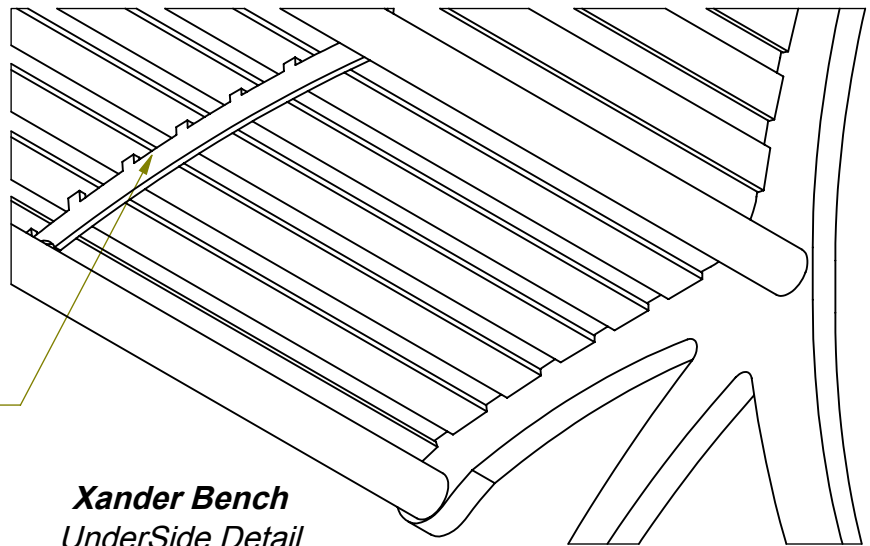
**3102-08**  
**W/ Armrest**

*Seat & Back Straps are designed with an arc contour for comfortable seating*



**3102**  
**Xander Bench**

*Inner Frame Dogbone is grooved for offset placement of straps.*



**Xander Bench**  
**UnderSide Detail**

*(Note: Bench must be anchored. Anchoring hardware not included.)*



SITE FURNISHINGS

SCALE: N.T.S.  
DATE: 9/16/15  
DRAWN: MT  
REV: 2/22/17  
SHEET: 2 of 2

**SPECIFICATION / INSTALLATION INSTRUCTIONS**

STEEL STRAP BENCH WITH BACK

**3102**