

SITE FURNISHINGS

MODEL 3113-06 6 FT. STEEL BAR BENCH WITHOUT BACK (150 lbs)
MODEL 3113-08 8 FT. STEEL BAR BENCH WITHOUT BACK (179 lbs)

MATERIAL:

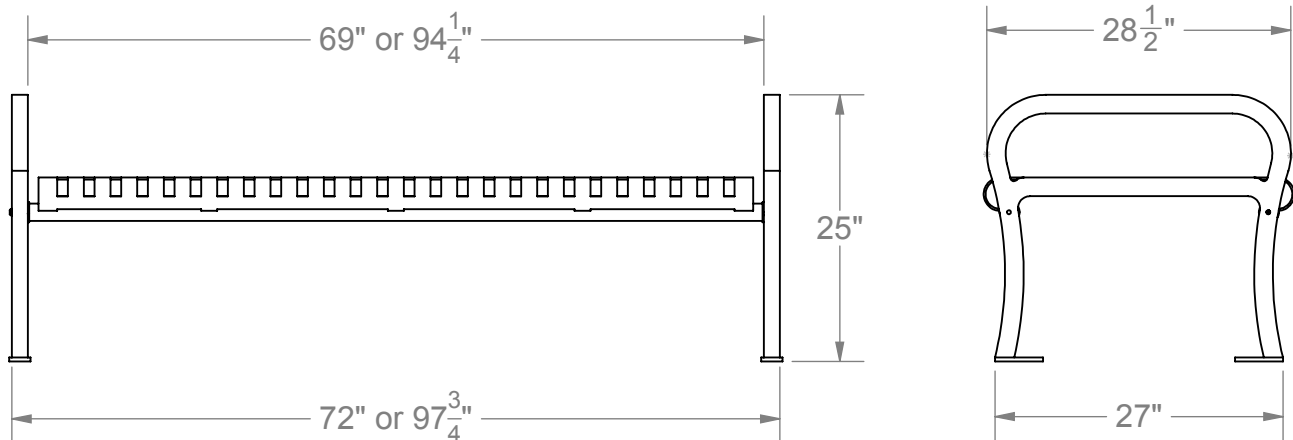
SEAT: One piece assembly with 1-1/2" x 1/4" steel bar rolled to form seat and welded to 1-5/8" heavy duty steel supports.

END FRAMES: 1-1/4" cast aluminum one-piece end frames.

HARDWARE: All hardware is stainless steel.

FINISH: Super durable polyester powder coat.

3113-06 & -08 BENCH	
QTY	MATERIAL LIST
2	END FRAMES
1	SEAT ASSEMBLY
4	3/8" x 2-1/2" BUTTON-HEAD BOLTS



(Note: Bench must be anchored. Anchoring hardware not included.)



SITE FURNISHINGS

SCALE: N.T.S.	SPECIFICATION / INSTALLATION INSTRUCTIONS
DATE: 5/21/2013	STEEL STRAP BENCH WITHOUT BACK
DRAWN: MT	
REV: 2/22/17	
SHEET: 1 of 2	3113-06 & -08

SITE FURNISHINGS



INSTALLATION INSTRUCTIONS:

1. *Attach each end frame to the seat assembly with (2) 3/8" x 2-1/2" button-head bolts on each end. (Finger tighten only)*
2. *Set bench in final position, align and then tighten all hardware. (ALL HARDWARE IS STAINLESS STEEL)*

(Note: Bench must be anchored. Anchoring hardware not included.)

Patterson-Williams

SITE FURNISHINGS

SCALE: N.T.S.

DATE: 5/21/2013

DRAWN: MT

REV: 2/22/17

SHEET: 2 of 2

SPECIFICATION / INSTALLATION INSTRUCTIONS

STEEL STRAP BENCH WITHOUT BACK

3113-06 & -08