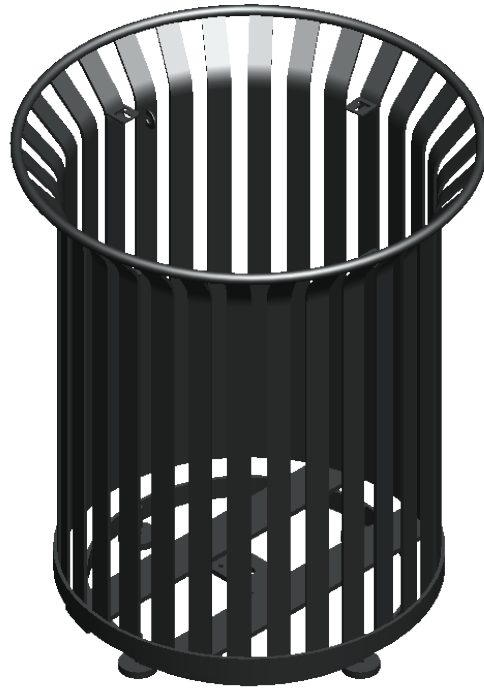


SITE FURNISHINGS

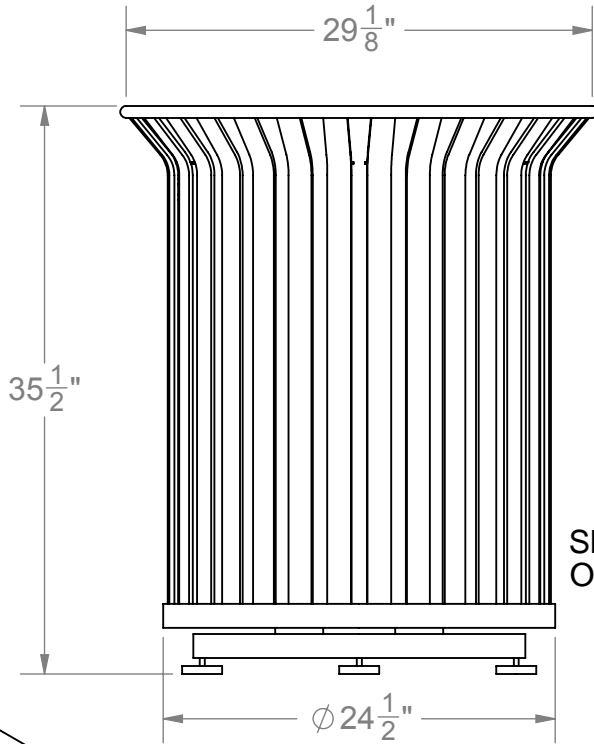
MODEL 3150-32 GAL. STEEL ROD LITTER RECEPTACLE WITH LID (127LBS)

MODEL 3150-SH-32 GAL. STEEL ROD LITTER RECEPTACLE WITH LID (127LBS)

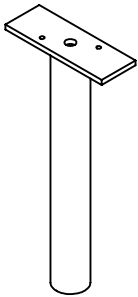
RECEPTACLE COMES COMPLETELY ASSEMBLED. SURFACE MOUNTING IS STANDARD, & HARDWARE TO MOUNT IS NOT INCLUDED.



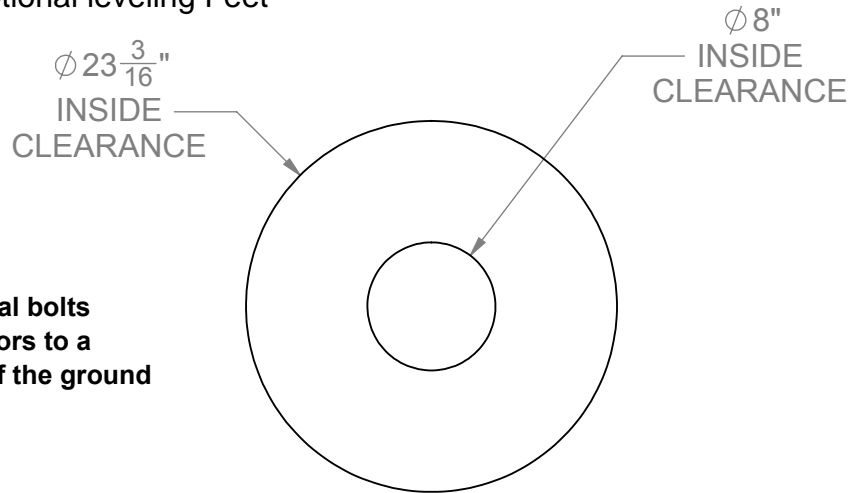
FOR POWDER COAT COLORS AND RECYCLED PLASTIC COLORS SEE BACK-INSIDE COVER OF PATTERSON-WILLIAMS CATALOG



Shown with Optional leveling Feet



Optional surface mount pedestal bolts to bottom of receptacle & anchors to a concrete pad lifting receptacle 5" off the ground




The flat-top steel lid has 8" diameter opening in the center & is attached with a cable to the receptacle.

SPECIFICATIONS:

1. FRAME: 1-1/2" Steel Strap (1/2" Steel Rod)
2. LID: 16 ga. Formed Steel
3. HARDWARE: HW LATCH Assembly & HINGES.
4. FINISH: Super durable polyester powder coat.
5. WARRANTY PERIOD: 3 YEARS

(NOTE: RECEPTACLE MAY BE ANCHORED. ANCHORING HARDWARE NOT INCLUDED.)

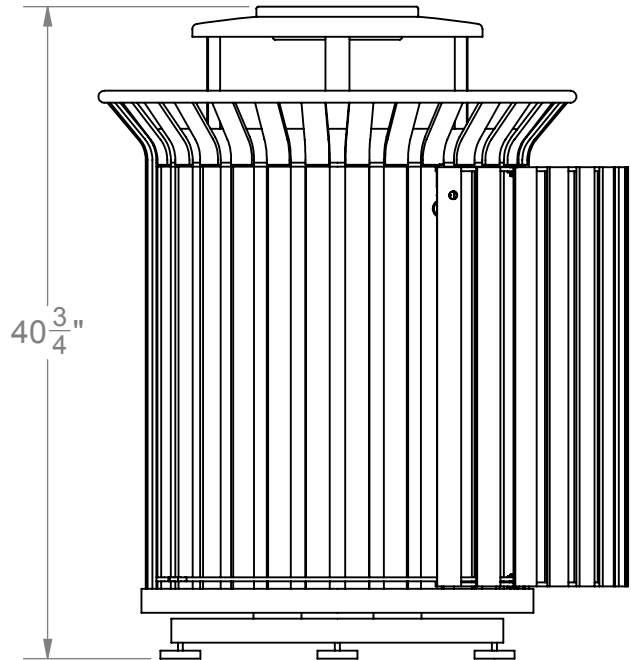
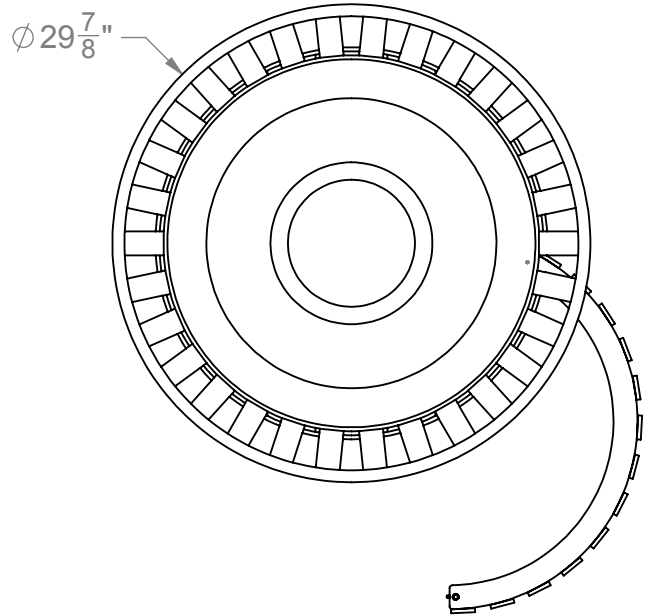
	Date: 9/14/2015	SPECIFICATION/INSTALLATION INSTRUCTIONS <i>3150-SH SERIES LITTER RECEPTACLE</i>
	Rev: 3/9/17	
	Drawn: MT	MODEL NO.
	Sheet: 1 of 2	<h1>3150 & 3150-SH</h1>

SITE FURNISHINGS

MODEL 3150-32 GAL. STEEL ROD LITTER RECEPTACLE WITH LID (127LBS)

MODEL 3150-SH-32 GAL. STEEL ROD LITTER RECEPTACLE WITH LID (127LBS)

RECEPTACLE COMES COMPLETELY ASSEMBLED. SURFACE MOUNTING IS STANDARD, & HARDWARE TO MOUNT IS NOT INCLUDED.




FOR POWDER COAT COLORS AND RECYCLED PLASTIC COLORS SEE BACK-INSIDE COVER OF PATTERSON-WILLIAMS CATALOG

SPECIFICATIONS:

1. FRAME: 1-1/2" Steel Strap (1/2" Steel Rod)
2. LID: 16 ga. Formed Steel
3. HARDWARE: HW LATCH Assembly & HINGES.
4. FINISH: Super durable polyester powder coat.
5. WARRANTY PERIOD: 3 YEARS

(NOTE: RECEPTACLE MAY BE ANCHORED. ANCHORING HARDWARE NOT INCLUDED.)

	Date: 9/14/2015	SPECIFICATION/INSTALLATION INSTRUCTIONS <i>3150-SH SERIES LITTER RECEPTACLE</i>
	Rev: 3/9/17	
	Drawn: MT	MODEL NO.
	Sheet: 2 of 2	3150 & 3150-SH