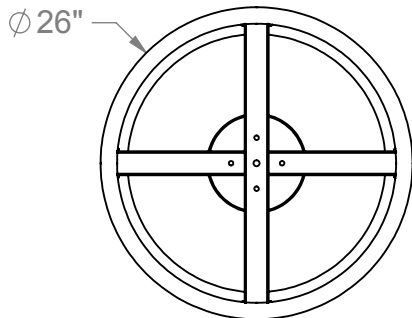
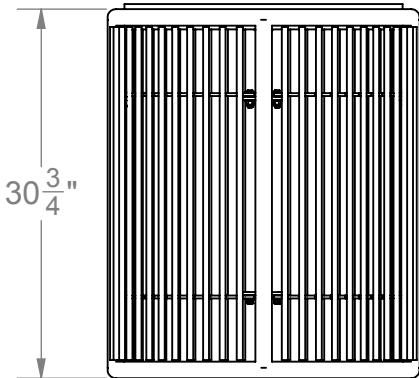
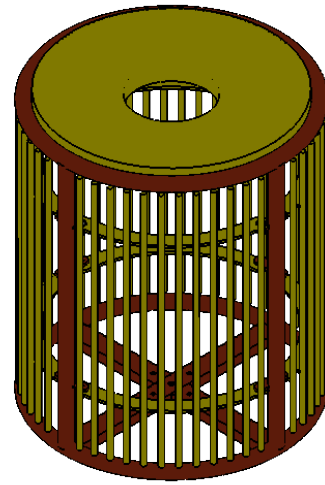


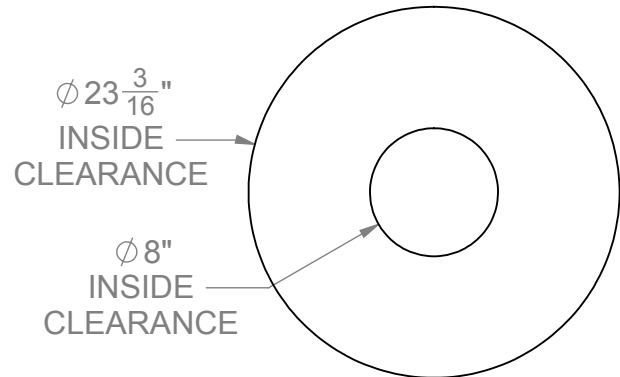
SITE FURNISHINGS

MODEL 3250 - 32 GAL. STEEL ROD LITTER RECEPTACLE WITH LID (127LBS)

RECEPTACLE COMES COMPLETELY ASSEMBLED. SURFACE MOUNTING IS STANDARD, & HARDWARE TO MOUNT IS NOT INCLUDED. BOLT ON SIDE PANELS ARE CAPABLE OF HAVING A MULTIPLE COLOR OPTION FOR A FANCY MULTI-COLOR LITTER RECEPTACLE.



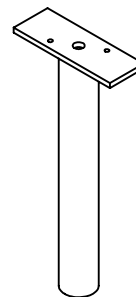
FOR POWDER COAT COLORS AND RECYCLED PLASTIC COLORS SEE BACK-INSIDE COVER OF PATTERSON-WILLIAMS CATALOG



The flat-top steel lid has 8" diameter opening in the center & is attached with a cable to the receptacle.


SPECIFICATIONS:

1. FRAME: 1-3/8" Sch 80 Pipe
2. SIDE PANELS: 1/4" Steel Bar ; 1/2" Rod
3. LID: 1/8" Formed Steel Plate
4. HARDWARE: Bronze Hinges; Side Panels
5. FINISH: Super durable polyester powder coat.
6. WARRANTY PERIOD: 3 YEARS



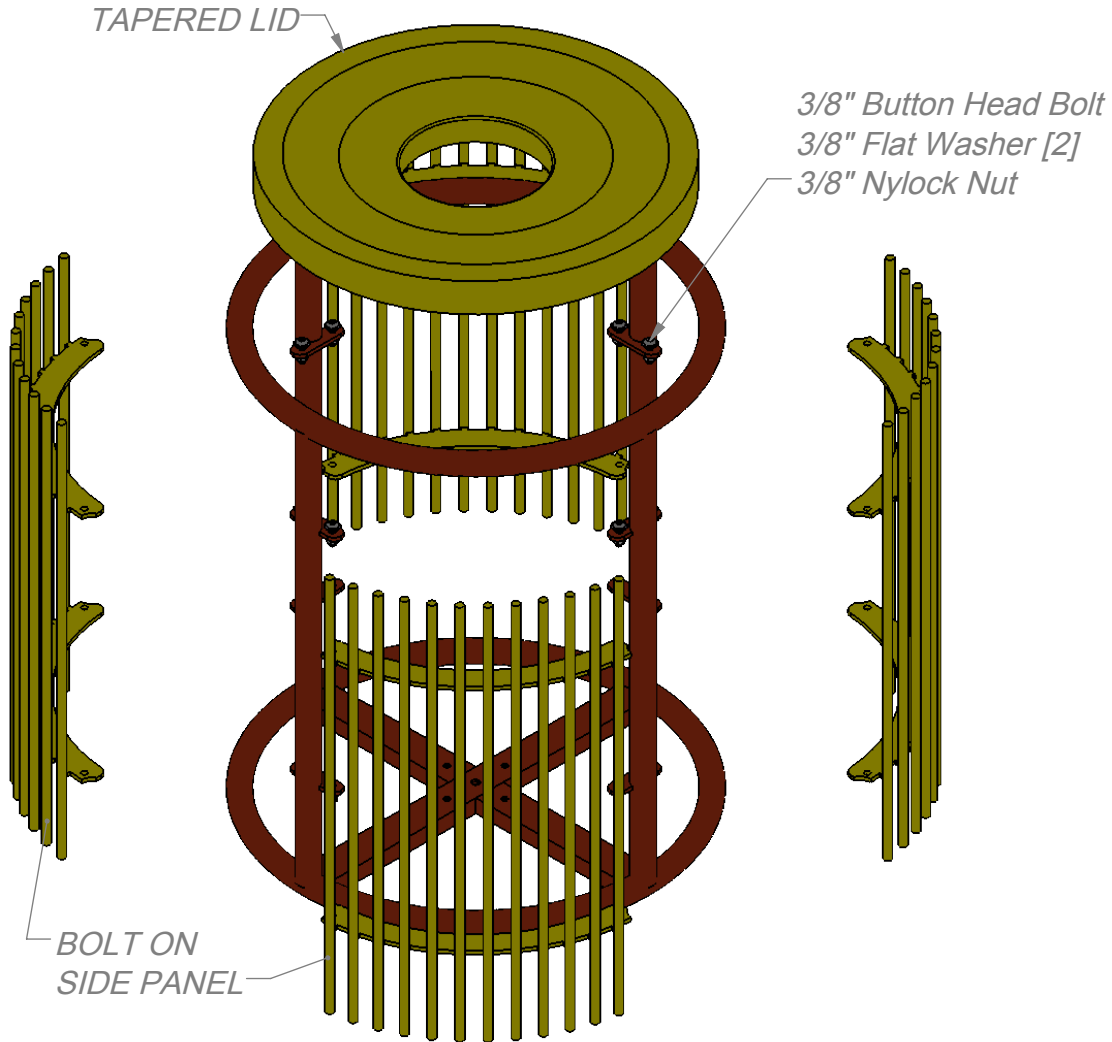
Optional In-ground mount pedestal bolts to bottom of receptacle

(NOTE: RECEPTACLE MAY BE ANCHORED. ANCHORING HARDWARE NOT INCLUDED.)

	Date: 9/14/2015	SPECIFICATION/INSTALLATION INSTRUCTIONS <i>3250 SERIES LITTER RECEPTACLE</i>
	Rev: 4/25/16	
	Drawn: MT	MODEL NO.
	Sheet: 1 of 2	3250

SITE FURNISHINGS

MULTI-COLOR OPTIONS: SIDE PANELS ARE BOLT ON ITEMS AS WELL AS THE DOOR FRAME AS A SPECIAL (PW) NEW OPTION WE ARE OFFERING THE THE CHOICE OF DIFFERENT POWDER COATED COLORS TO MATCH YOUR SCHOOL, BUSINESS, OR LANDSCAPE...



<u>Packing Slip</u>	<u>Qty.</u>
3250 Frame	1
3250 Side Panels	4
3250 Tapered Lid	1
<u>Hardware</u>	
3/8"-16 Button Head Screw SS	16
3/8" USS FLAT WASHER	32
3/8"-16 Nylock Nut SS 18-8	16



Date: 9/14/2015
 Rev: 4/25/16
 Drawn: MT
 Sheet: 2 of 2

SPECIFICATION/INSTALLATION INSTRUCTIONS

3250 SERIES LITTER RECEPTACLE

MODEL NO.

3250