

SITE FURNISHINGS

MODEL 3350 - STEEL BAR ASH URN WITH TRAY (55 lbs.)

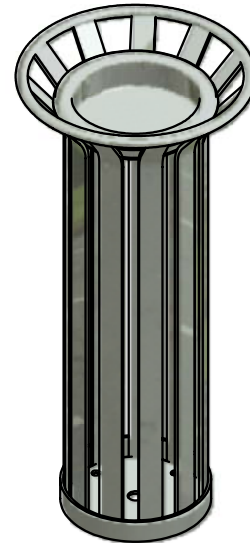
MATERIAL:

URN: One piece assembly with 1-1/2" x 1/4" steel bar rolled to form sides and welded to 1-1/2" x 1/4" steel bar bottom with 1/4" base plate. Top is welded to 3/4" rolled solid steel rod.

TRAY: Steel

FINISH: Super durable polyester powder coat.

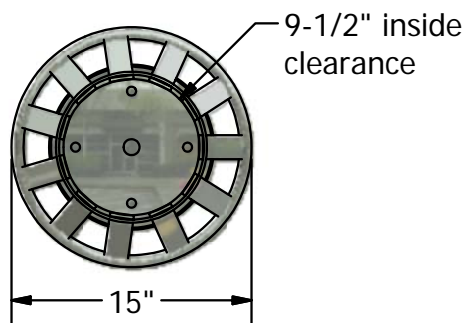
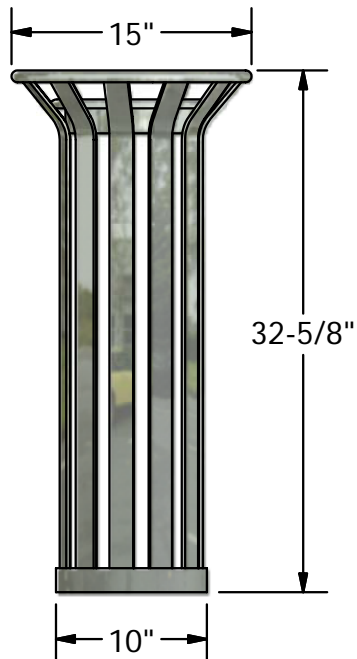
Ships completely assembled.



FOR POWDER COAT COLORS SEE
BACK-INSIDE COVER OF
PATTERSON-WILLIAMS CATALOG



STEEL TRAY



(Note: Ash urn must be anchored.
Anchoring hardware not included.)

	3350 ASH URN
QTY	MATERIAL LIST
1	ASH URN
1	TRAY



SITE FURNISHINGS

SCALE: N.T.S.	SPECIFICATION / INSTALLATION INSTRUCTIONS
DATE: 04-20-11	
DRAWN BY: AMC	STEEL ASH URN
REV.: A061812	MODEL 3350
SHEET: 1 of 1	