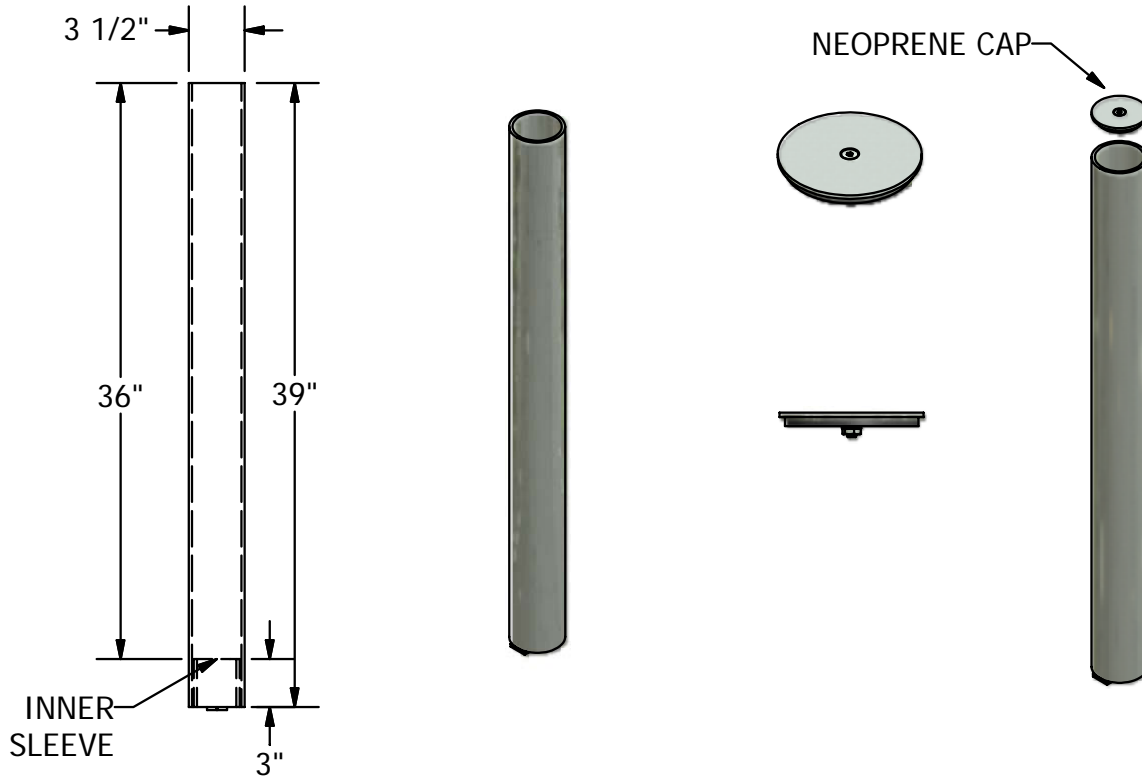


FOOTBALL POST SLEEVE

MODEL #8302-36-4 SLEEVE FOR 2-7/8" O.D. POST W/O CAP (30 lbs)
(SET OF 4)

MODEL #8302-36-4N SLEEVE FOR 2-7/8" O.D. POST W/NEOPRENE CAP (32 lbs)
(SET OF 4)



SPECIFICATIONS:


General: A heavy-duty post sleeve that permits the removal of the basketball post for any reason whatsoever.

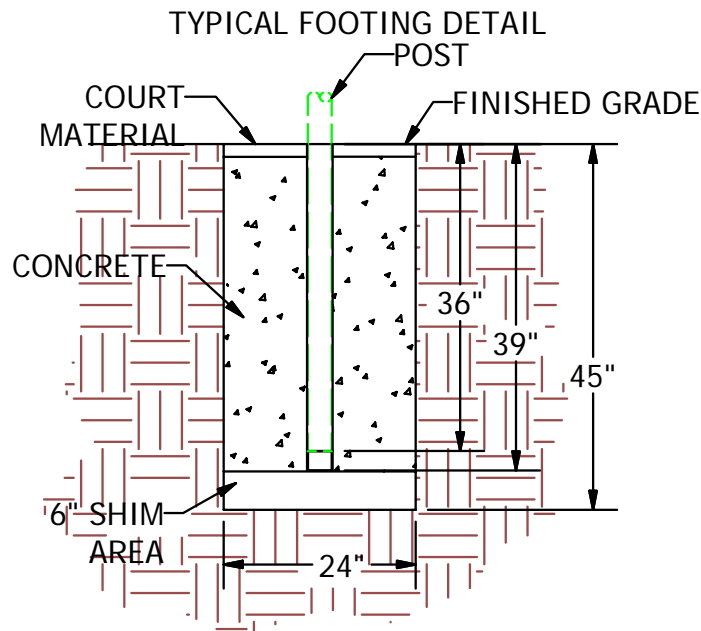
Materials: Sleeves are fabricated from thick wall steel tubing.

Neoprene Cap: Heavy neoprene rubber disc expands to seal top of sleeve when special socket head bolt is tightened causing compression of rubber between two heavy zinc-plated steel discs. This makes a waterproof and tamper-proof seal.

All welds are ground smooth.

Warranty Period: 3 Years

 <p>Patterson-Williams ATHLETIC MFG. CO. QUALITY ATHLETIC AND PARK EQUIPMENT SINCE 1919</p>	Date: 08-20-09	SPECIFICATION/INSTALLATION INSTRUCTIONS FOOTBALL POST GROUND SLEEVES WITH AND WITHOUT CAP
	Rev: A052113	
	Drawn: AMC	MODEL NO.
	FILE: 8302-36-SLEEVE.IDW	<h1>8302-36-4</h1>
	Sheet: 1 of 2	



INSTALLATION INSTRUCTIONS:

Dig recommended size hole(s) per sleeve detail. Put a minimum 6" layer of gravel in the bottom of the hole to allow for drainage.


Center sleeve in hole. Make certain bottom of sleeve is in contact with gravel so that bottom of sleeve will not be plugged with concrete. Add additional gravel if necessary to sleeve location to ensure correct height.

Sleeve(s) purchased without neoprene cap should be located so that the top of the sleeve is flush with the court surface. If sleeve(s) are purchased with a neoprene cap install it in sleeve so that it is seated and tighten socket screw to secure, position sleeve so that the top of the cap is flush with the court surface.

Pour concrete to top and trowel smooth, crown slightly to allow water to drain away from sleeve. Allow concrete to set for approximately 3 days.

Note: Footing sizes are based on average soil conditions. Loose and/or sandy soil is not average and footing sizes must be increased accordingly to meet local soil conditions.

2-7/8" MODEL	BURY DEPTH	QTY	CAP
8302	36"	1	N

 <p>Patterson-Williams ATHLETIC MFG. CO. QUALITY ATHLETIC AND PARK EQUIPMENT SINCE 1919</p>	Date: 08-20-09	SPECIFICATION/INSTALLATION INSTRUCTIONS FOOTBALL POST GROUND SLEEVES WITH AND WITHOUT CAP
	Rev: A052113	
	Drawn: AMC	MODEL NO.
	FILE: 8302-36-SLEEVE.IDW	8302-36-4
	Sheet: 1 of 2	