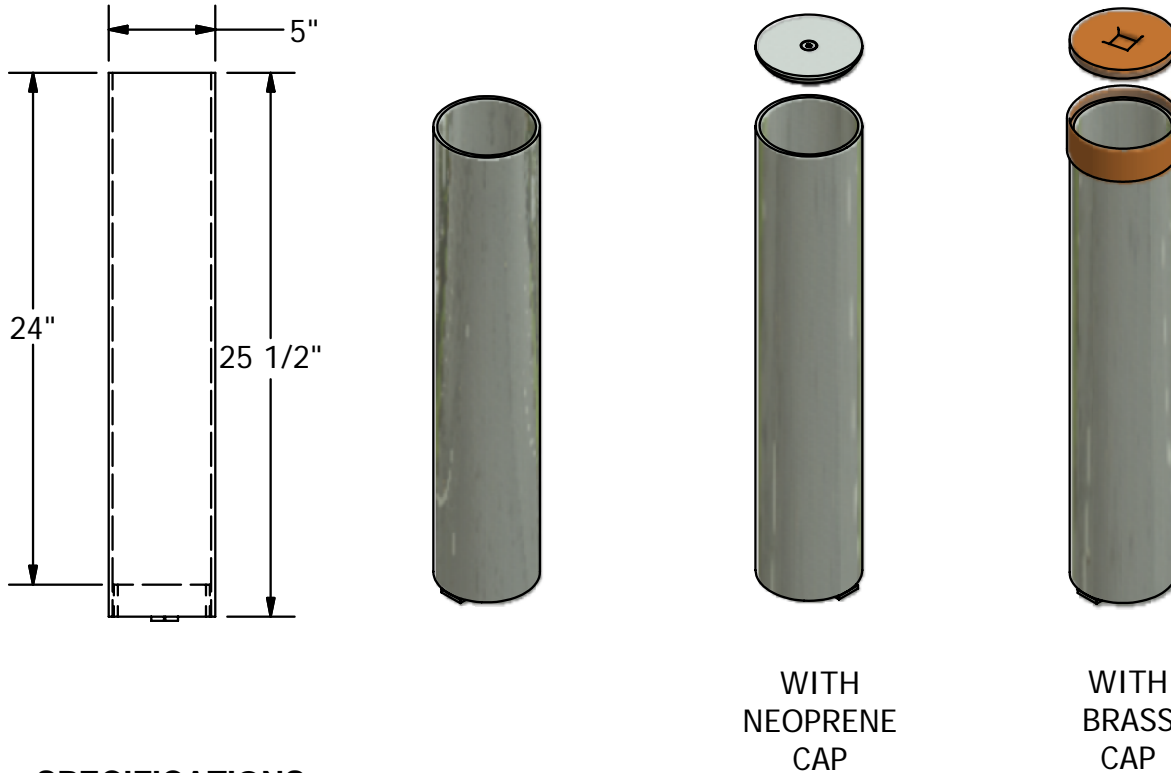


GAME POST GROUND SLEEVES

- MODEL #8304-24 SLEEVE FOR 4-1/2" O.D. POST W/O CAP (27 lbs)
- MODEL #8304-24-N SLEEVE FOR 4-1/2" O.D. POST W/NEOPRENE CAP (28 lbs)
- MODEL #8304-24-B SLEEVE FOR 4-1/2" O.D. POST W/BRASS CAP (29 lbs)



SPECIFICATIONS:


General: Game post sleeves permit removal of posts.

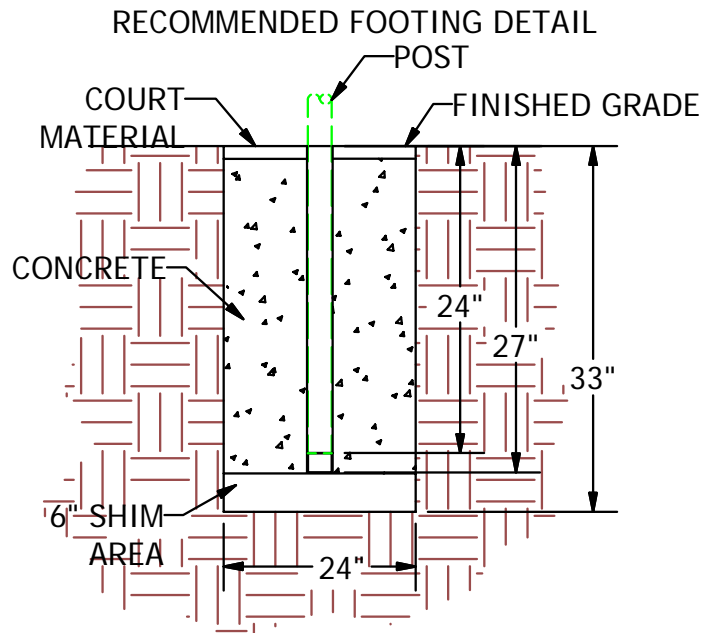
Materials: Sleeves are fabricated of steel pipe. Post rests on welded pipe insert inside sleeve. A 1/4" x 1-1/4" flat bar is welded to the bottom of sleeve and allows for drainage.

Neoprene Cap (N): Heavy neoprene rubber disc expands to seal top of sleeve when socket head bolt is tightened causing compression of rubber. Making a weather resistant seal. Top of cap is heavy galvanized plate with counter sunk hole.

Brass Cap (B): Brass screw-in type cap with a square recessed hole for cap wrench.

Warranty: 3 years

	Date: 08-20-09	SPECIFICATION/INSTALLATION INSTRUCTIONS GAME POST GROUND SLEEVES WITH AND WITHOUT CAP
	Rev: T031420	
	Drawn: TEAM	MODEL NO.
	FILE: 8304-24-SLEEVE.IDW Sheet: 1 of 2	8304-24



INSTALLATION INSTRUCTIONS:

Dig recommended size hole(s) per sleeve detail. Put a minimum 6" layer of gravel in the bottom of the hole to allow for drainage.

Center sleeve in hole. Make certain bottom of sleeve is in contact with gravel so that bottom of sleeve will not be plugged with concrete. Add additional gravel if necessary to sleeve location to ensure correct height.

Sleeve(s) purchased without neoprene cap should be located so that the top of the sleeve is flush with the court surface. If sleeve(s) are purchased with a neoprene cap install it in sleeve so that it is seated and tighten socket screw to secure, position sleeve so that the top of the cap is flush with the court surface.

Pour concrete to top and trowel smooth, crown slightly to allow water to drain away from sleeve. Allow concrete to set for approximately 3 days.

Note: Footing sizes are based on average soil conditions. Loose and/or sandy soil is not average and footing sizes must be increased accordingly to meet local soil conditions.

4-1/2" MODEL	BURY DEPTH	QTY	CAP
8304	24"	1	N

	Date: 08-20-09	SPECIFICATION/INSTALLATION INSTRUCTIONS GAME POST GROUND SLEEVES WITH AND WITHOUT CAP
	Rev: T031420	
	Drawn: TEAM	MODEL NO.
	FILE: 8304-24-SLEEVE.IDW	8304-24
	Sheet: 2 OF 2	

PICK TICKET



Standard Sleeve and Brass Cap

Description	QTY
8301-24	
Sleeve 4-1/2" I.D. 27" length	1
8301-24-B	
Sleeve 4-1/2" I.D. 27" length	1
Brass Cap	1




WITH
BRASS
CAP



Standard Sleeve and Brass Cap

Description	QTY
8301-24-N	
Sleeve 4-1/2" I.D. 27" length	1
Neoprene Plug	1
Flathead Bolt 3/8" X 1-1/4"	1
3/8" Fender Washer	1
3/8" Nyloc	

WITH
NEOPRENE
CAP

	Date: 08-20-09	SPECIFICATION/INSTALLATION INSTRUCTIONS GAME POST GROUND SLEEVES WITH AND WITHOUT CAP
	Rev: T031620	
	Drawn: TEAM	MODEL NO.
	FILE: 8304-24-SLEEVE.IDW	8304-24
	Sheet: P.T.	