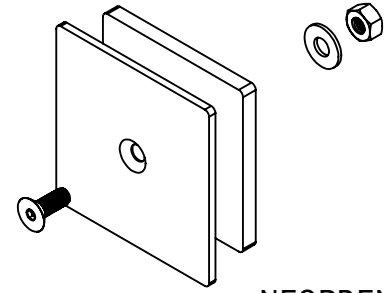


SQUARE GROUND SLEEVE

- MODEL #8304-SQ24-4 - 4x4 SQUARE GROUND SLEEVE W/O CAPS
 #8304-SQ48-4 - 4x4 SQUARE GROUND SLEEVE W/O CAPS
 #8304-SQ24-4N - 4x4 SQUARE GROUND SLEEVE W/ CAPS
 #8304-SQ48-4N - 4x4 SQUARE GROUND SLEEVE W/ CAPS
 #8304-SQ24-5 - 5x5 SQUARE GROUND SLEEVE W/O CAPS
 #8304-SQ48-5 - 5x5 SQUARE GROUND SLEEVE W/O CAPS
 #8304-SQ24-5N - 5x5 SQUARE GROUND SLEEVE W/ CAPS
 #8304-SQ48-5N - 5x5 SQUARE GROUND SLEEVE W/ CAPS



NEOPRENE
CAP

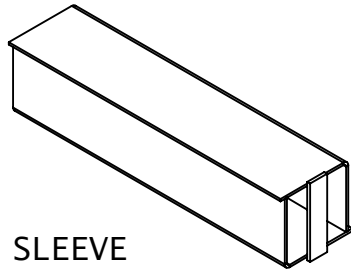
SPECIFICATIONS:

MATERIAL: SLEEVES ARE FABRICATED OUT OF MILD STEEL PLATE. EACH SLEEVE ALSO REQUIRES A 1/4" x 1-1/4" FLAT BAR AT THE BOTTOM OF

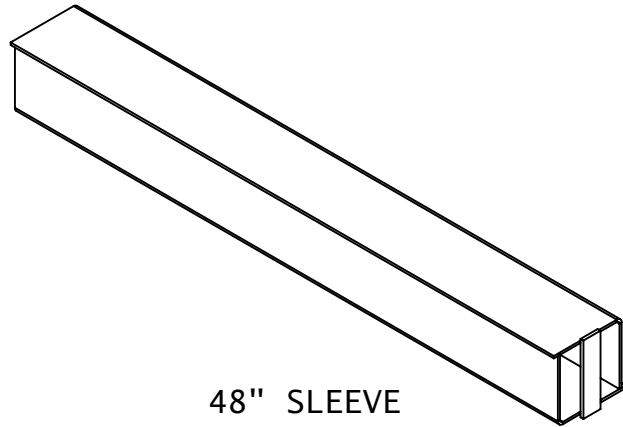
Neoprene Cap: Heavy neoprene rubber disc expands to seal top of sleeve when special socket head bolt is tightened causing compression of rubber. Makes a water resistant & tamper resistant seal. Top of cap is heavy galvanized plate with counter sunk bolt.

Finish: Sleeves & welded inserts are galvanized. Hardware is zinc-plated.

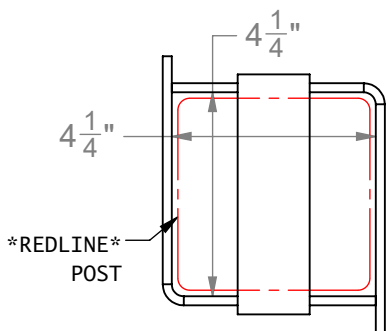
Warranty: 3 years



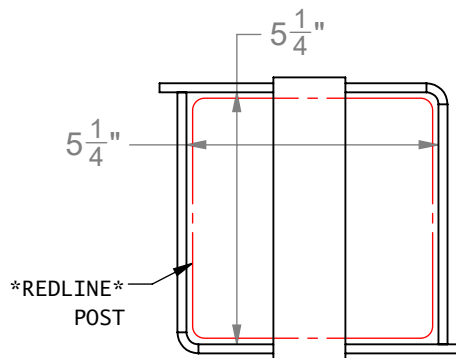
24" SLEEVE




48" SLEEVE



4X4 SLEEVE



5X5 SLEEVE

 <p>SPORT & SITE ELEMENTS FOR LIFE OUTSIDE™ www.PWATHLETIC.com 1-800-687-5768</p>	Date: 7/13/19	PRODUCT NAME
	Rev:	SQ GROUND SLEEVE
	Drawn: MT	MODEL NO.
	Sheet: 1 of 1	8304-SQ-SPEC