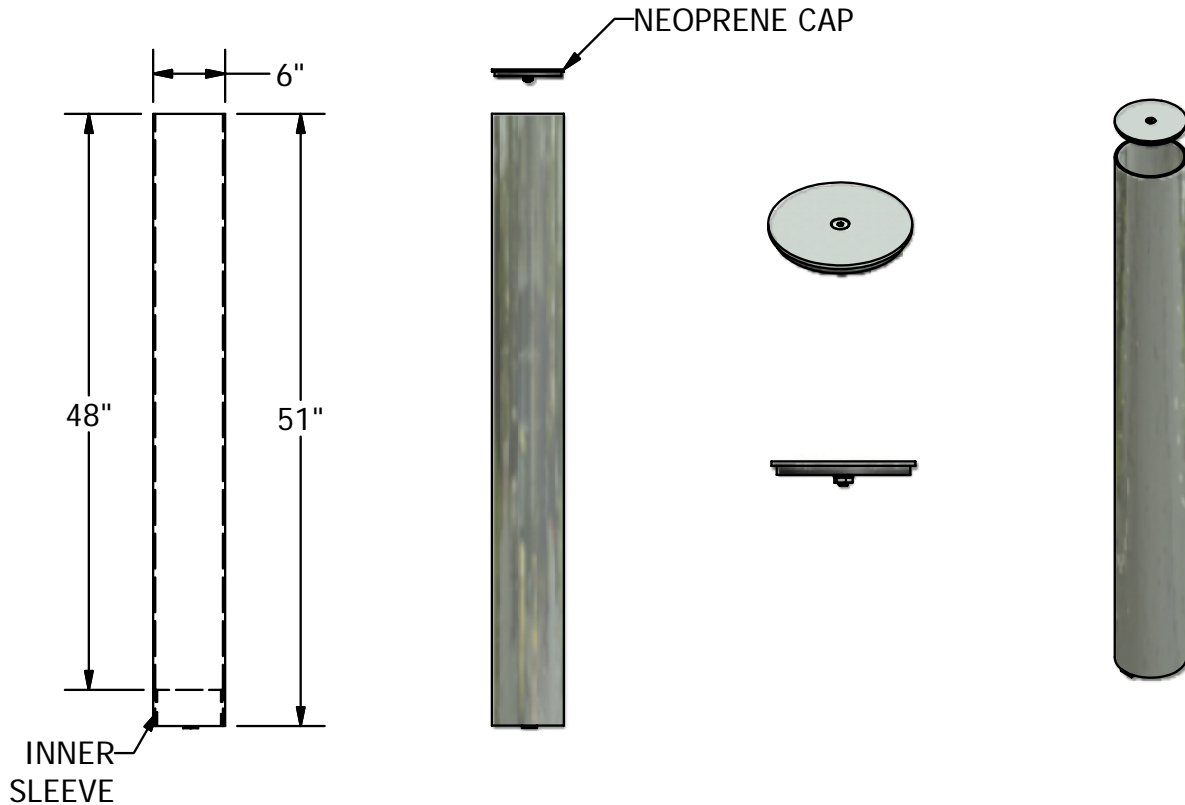


# 48" POST SLEEVE

MODEL #8305-48 SLEEVE FOR 5-9/16" O.D. POST W/O CAP (50 lbs)  
 MODEL #8305-48-N SLEEVE FOR 5-9/16" O.D. POST W/NEOPRENE CAP (52 lbs)




## SPECIFICATIONS:

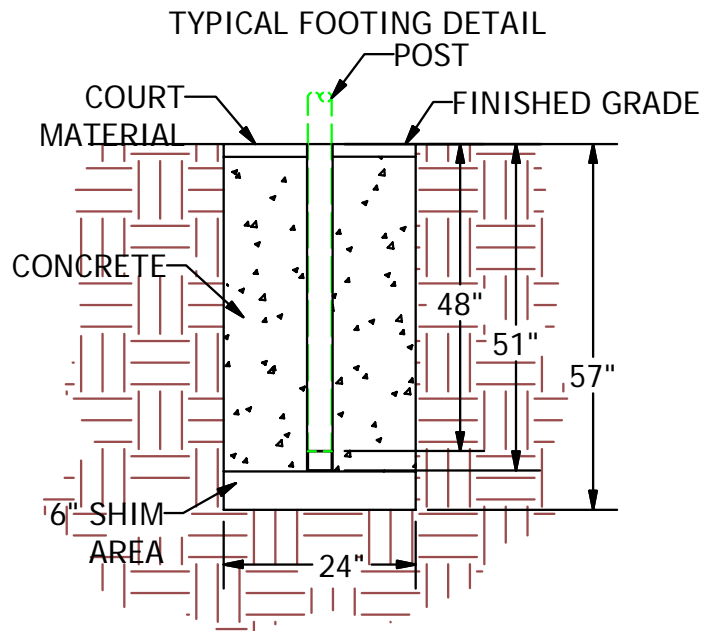
General: A heavy-duty post sleeve that permits the removal of post.

Materials: Sleeves are fabricated from thick wall steel tubing.

Neoprene Cap: Heavy neoprene rubber disc expands to seal top of sleeve when socket head bolt is tightened causing compression of rubber between two heavy zinc-plated steel discs. This makes a weather proof seal.

Warranty Period: 3 Years

 <p>SPORT &amp; SITE ELEMENTS FOR LIFE OUTSIDE www.PWATHLETIC.com 1-800-687-5768</p>	Date: 08-20-09	<b>SPECIFICATION/INSTALLATION INSTRUCTIONS</b> FOOTBALL POST GROUND SLEEVES WITH AND WITHOUT CAP
	Rev: T031420	
	Drawn: TEAM	MODEL NO.
	FILE: 8305-48-SLEEVE.IDW Sheet: 1 of 2	<b>8305-48</b>



**INSTALLATION INSTRUCTIONS:**

Dig recommended size hole(s) per sleeve detail. Put a minimum 6" layer of gravel in the bottom of the hole to allow for drainage.


Center sleeve in hole. Make certain bottom of sleeve is in contact with gravel so that bottom of sleeve will not be plugged with concrete. Add additional gravel if necessary to sleeve location to ensure correct height.

Sleeve(s) purchased without neoprene cap should be located so that the top of the sleeve is flush with the court surface. If sleeve(s) are purchased with a neoprene cap install it in sleeve so that it is seated and tighten socket screw to secure, position sleeve so that the top of the cap is flush with the court surface.

Pour concrete to top and trowel smooth, crown slightly to allow water to drain away from sleeve. Allow concrete to set for approximately 3 days.

Note: Footing sizes are based on average soil conditions. Loose and/or sandy soil is not average and footing sizes must be increased accordingly to meet local soil conditions.

5-9/16" MODEL	BURY DEPTH	QTY	CAP
8305	48"	1	N

 <p><b>SPORT &amp; SITE</b> ELEMENTS FOR LIFE OUTSIDE www.PWATHLETIC.com 1-800-687-5768</p>	Date: 08-20-09	<b>SPECIFICATION/INSTALLATION INSTRUCTIONS</b> <b>FOOTBALL POST GROUND SLEEVES</b> <b>WITH AND WITHOUT CAP</b>
	Rev: T031420	
	Drawn: TEAM	MODEL NO.
	FILE: 8305-48-SLEEVE.IDW	<b>8305-48</b>
	Sheet: 2 of 2	