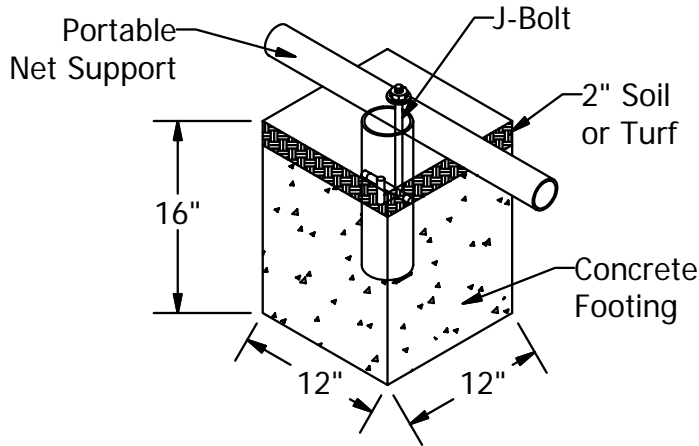
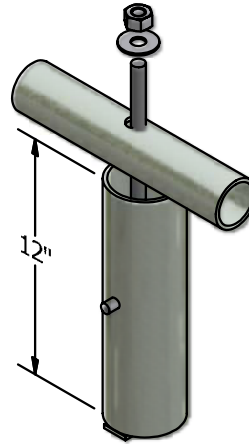


NET SUPPORT ANCHOR SYSTEM

MODEL #8346-30 ANCHOR SYSTEM WITHOUT CAP (50 LBS)
 MODEL #8346-30N ANCHOR SYSTEM WITH CAP (60 LBS)



RECOMMENDED FOOTING



8346-30N (WITH NEOPRENE CAP)

Specifications:

Anchor Sleeve: Fabricated from 3-1/2" O.D. galvanized steel with a 1/2" diameter steel cross pin welded in place.

J-Bolt: 5/8" diameter special "j" bolt with washer and nut used to secure net supports to ground.

Anchoring System

1. Position goals in the proper field location. Mark footing locations and move goals aside. Dig footing holes 12" wide x 16" deep. (See footing detail above.)
2. Place anchor sleeve in hole and shim from below so that the top of the sleeve is level with finished grade. Note: If a neoprene cap is ordered install cap in sleeve first and then shim sleeve from below so that top of cap is at finished grade.
3. Pour concrete to within 2" of finished grade. Allow concrete to set for 3 days before completion.
4. After concrete has set replace turf to cover exposed tops of footings. 5. Move soccer goal into position over the anchor system and secure with J-Bolts, washers and nuts provided.

Model #8346-30
Soccer Goal Anchor Sleeve System

Material List:	Qty
Anchor Sleeve	4
J-Bolt	4
5/8"-11 Hex Nut	4
5/8" Flat Washer	4

Model #8346-31
Soccer Goal Anchor Sleeve System w/ Caps

Material List:	Qty
Anchor Sleeve	4
Anchor "J" Bolts	4
5/8"-11 Hex Nut	4
5/8" Flat Washer	4
7/32" Hex Key Wrench	1
3-1/2" OD Neoprene Cap Parts	
3-1/2" OD (Countersunk Hole) Plate	4
2-3/4" OD (Tapped Hole) Plate	4
3/8" X 1-1/4" Hex Bolt	4
3/8" Nylock Nut	4
2-7/8" OD Neoprene Washer	4



Date: 02-27-09
 Rev: A022709
 Drawn: AMC
 FILE: 8346.SPEC.IDW
 Sheet: 1 of 1

SPECIFICATION/INSTALLATION INSTRUCTIONS PORTABLE SOCCER NET SUPPORT ANCHOR SYSTEM

MODEL NO.

8346-30 8346-30N